

KAMADO BIG JOE II OWNER'S MANUAL



KAMADOJOE®

9804200026 210511-GH

Table of Contents

Warnings	3
Parts List & Tools Required	7
Grill Set-Up Instructions	8
Assembly Instructions	9
Safety Information	14
Cleaning & Care	15
Hinge Adjustments	16
Quick Start Guide	18
Quick Temperature Guide	19

Grill does not come with charcoal.



WARNING

- This manual contains important information necessary for the proper assembly and safe use of the appliance.
- Read and follow all warnings and instructions before assembling and using the appliance.
- Keep this manual for future reference.



Failure to follow these instructions could result in fire, explosion or burn hazard which could cause property damage, personal injury or death.



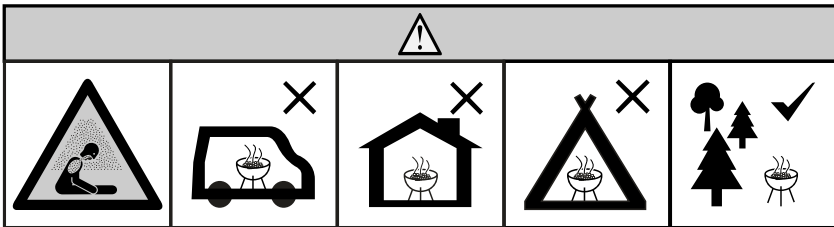
CARBON MONOXIDE HAZARD

- Burning charcoal or wood chips gives off carbon monoxide, which has no odor and can cause death.
- Use only outdoors where it is well ventilated.

WARNINGS AND IMPORTANT SAFEGUARDS

READ ALL INSTRUCTIONS

- **WARNING!** This barbecue will become very hot. Do not move it during operation.
- **WARNING!** Do not use indoors!
- **WARNING!** Do not use alcohol, gasoline or other similar liquids to light or relight the barbecue.
- **WARNING!** Keep children and pets away from grill at all times. Do NOT allow children to use grill. Close supervision is necessary when children or pets are in the area where grill is being used.



- Do not use the barbecue in a confined and/or habitable space e.g. houses, tents, caravans, motor homes, boats. Danger of carbon monoxide poisoning fatality.
- Always use grill in accordance with all applicable local, state and federal fire codes.
- Before each use check all nuts, screws and bolts to make sure they are tight and secure.
- Never operate grill under overhead construction such as roof coverings, carports, awnings or overhangs.
- Grill is for OUTDOOR USE ONLY.
- Maintain a minimum distance of 10 ft. (3m) from overhead construction, walls, rails or other structures.
- Keep a minimum 10 ft. (3m) clearance of all combustible materials such as wood, wood decks, dry plants, grass, brush, paper or canvas.



WARNINGS AND IMPORTANT SAFEGUARDS

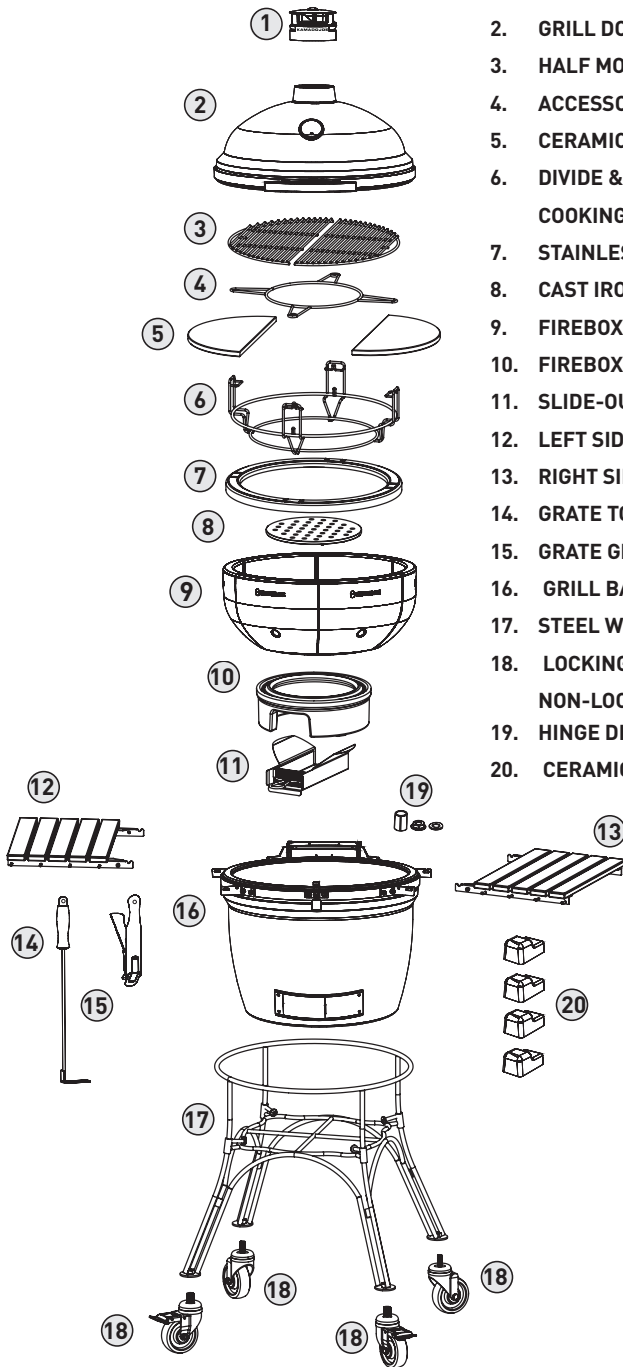
- Never use grill for anything other than its intended use. This grill is NOT for commercial use.
- Accessory attachments not supplied by Kamado Joe are NOT recommended and may cause injury.
- Use of alcohol, prescription or non-prescription drugs may impair user's ability to assemble or safely operate grill.
- Keep a fire extinguisher accessible at all times while operating grill.
- When cooking with oil or grease, have a type BC or ABC fire extinguisher readily available.
- In the event of an oil or grease fire do not attempt to extinguish with water. Immediately call the fire department. A type BC or ABC fire extinguisher may, in some circumstances, contain the fire.
- Use grill on a level, non-combustible, stable surface such as dirt, concrete, brick or rock. An asphalt surface (blacktop) may not be acceptable for this purpose.
- Grill **MUST** be on the ground. Do not place grill on tables or counters. Do NOT move grill across uneven surfaces.
- Do not use grill on wooden or flammable surfaces.
- Keep grill clear and free from combustible materials such as gasoline and other flammable vapors and liquids.
- Do not leave grill unattended.
- Do NOT allow anyone to conduct activities around grill during or following its use until it has cooled.
- Never use glass, plastic or ceramic cookware in grill. Never place empty cookware in grill while in use.
- Never move grill while in use. Allow grill to cool completely (below 115°F [45°C]) before moving or storing.
- Do not store grill with hot ashes or charcoal inside grill. Store only when fire is completely out and all surfaces are cold.
- Never use grill as a heater. **READ CARBON MONOXIDE HAZARD.**
- The grill is **HOT** while in use and will remain **HOT** for a period of time afterwards and during cooling process. Use **CAUTION**. Wear protective gloves/mitts.
- **DO NOT** bump or impact the grill to prevent personal harm, damage to grill or spillage/splashing of hot cooking liquid.



WARNINGS AND IMPORTANT SAFEGUARDS

- Be careful when removing food from grill. All surfaces are HOT and may cause burns. Use protective gloves/mitts or long, sturdy cooking tools for protection from hot surfaces or splatter from cooking liquids.
- Do not touch HOT surfaces.
- Grill is HOT during use. To avoid burns, keep face and body away from vents and when opening lid. Steam and hot air are expelled during use.
- When cooking above 350°F (175°C), carefully open the grill (or burp the grill) each time you lift the grill dome to prevent flashback – a surge of white-hot heat caused by a rush of oxygen. Partially opening the lid 2-3 inches (5-8cm) and allowing heat to escape for about 5 seconds should prevent this.
- Air dampers are HOT while the grill is in use and during cooling. Wear protective gloves when adjusting.
- Grill has an open flame. Keep hands, hair and face away from flame. Do NOT lean over grill when lighting. Loose hair and clothing may catch fire.
- DO NOT obstruct flow of combustion and ventilation.
- Do not cover cooking racks with metal foil. This will trap heat and may cause damage to the grill.
- Never leave HOT coals or ashes unattended.
- Fuel should be kept red hot for at least 30 minutes prior to use.
- Do not cook before the fuel has a coating of ash.
- Do not remove ash drawer while ashes and charcoal are HOT.
- Use protective gloves when handling this grill or working with fire. Use protective gloves or long, sturdy tools when adding wood or charcoal.
- Never use charcoal lighting fluid, gasoline, alcohol or other highly volatile fluids to ignite charcoal. These fluids can explode and cause injury or death.
- The maximum amount of charcoal for the Big Joe is 10 lbs. (4.5 kg). Never overfill charcoal grate. This can cause serious injury as well as damage to the grill.
- Dispose of cold ashes by placing them in aluminum foil, soaking with water and discarding in a non-combustible container.
- SloRoller should not be used for temperatures over 500°F (260°C)

SAVE THESE INSTRUCTIONS



1. TOP VENT (1)
2. GRILL DOME (1)
3. HALF MOON COOKING GRATES (2)
4. ACCESSORY RACK (1)
5. CERAMIC HEAT DEFLECTORS (2)
6. DIVIDE & CONQUER® FLEXIBLE COOKING RACK (1)
7. STAINLESS STEEL FIREBOX RING (1)
8. CAST IRON GRATE (1)
9. FIREBOX WALLS (6)
10. FIREBOX BASE (1)
11. SLIDE-OUT ASH DRAWER (1)
12. LEFT SIDE SHELF (1)
13. RIGHT SIDE SHELF (1)
14. GRATE TOOL (1)
15. GRATE GRIPPER (1)
16. GRILL BASE (1)
17. STEEL WIRE CART (1)
18. LOCKING SWIVEL CASTERS (2)
NON-LOCKING SWIVEL CASTERS (2)
19. HINGE DISENGAGEMENT TOOL KIT (1)
20. CERAMIC FEET (4)

Grill Set-Up

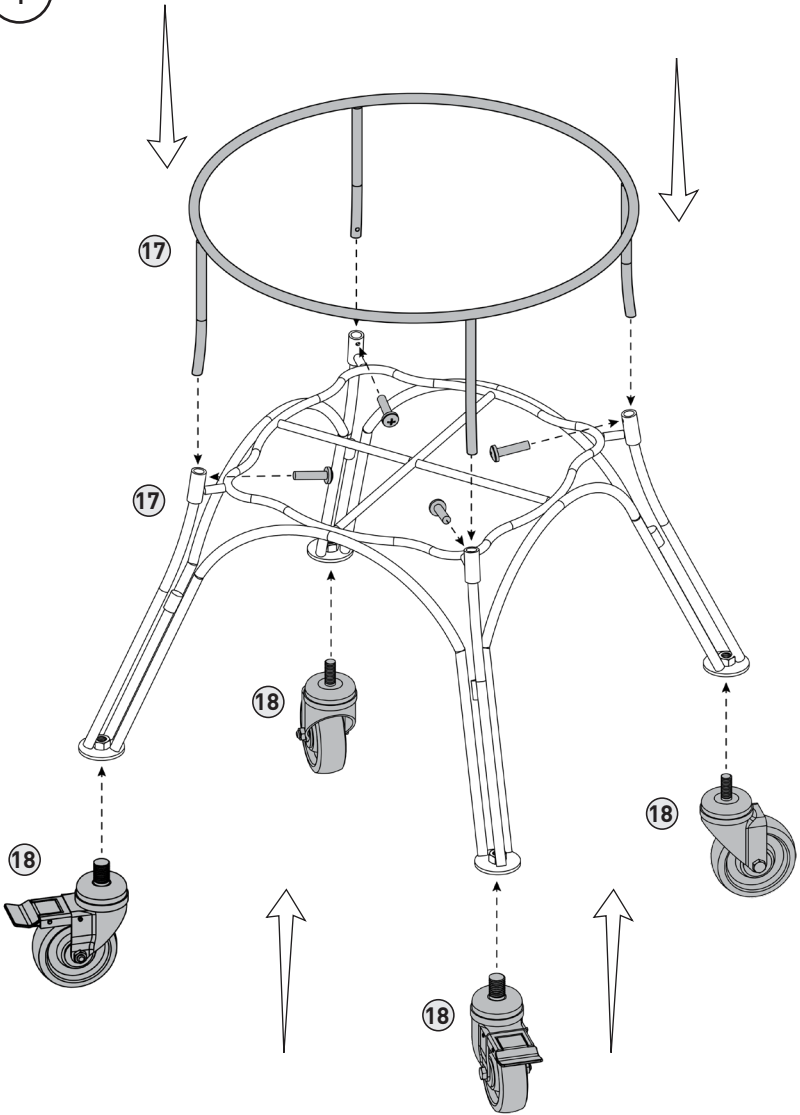
UNBOXING YOUR GRILL

- 1 Cut the plastic bands and remove the top and side panels of the shipping container.
- 2 Set the grill cart box aside.
- 3 Open the dome of the grill and remove the components from the inside of the grill. Handle the internal ceramic parts with care.

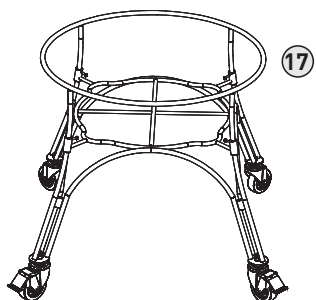
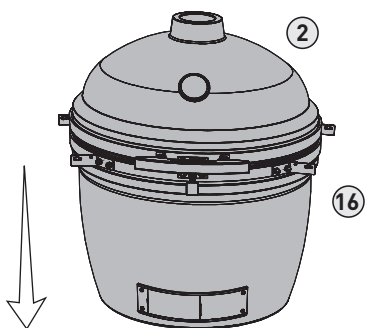
KAMADO JOE GRILL WITH CART

- 1 Once the internal components of the grill have been removed, lift the grill out of the container and set it aside. Due to the weight of this grill, we highly recommend two people perform this task. Do NOT lift the grill by the side shelf tabs. Use the rear hinge and the front lower vent opening as lifting points.
- 2 Assemble the grill cart.
- 3 With the same lifting technique used previously, lift the grill into the cart. Adjust the grill in the cart so the lower grill vent is facing the front of the cart. The front side of the cart is the side with the two locking casters.

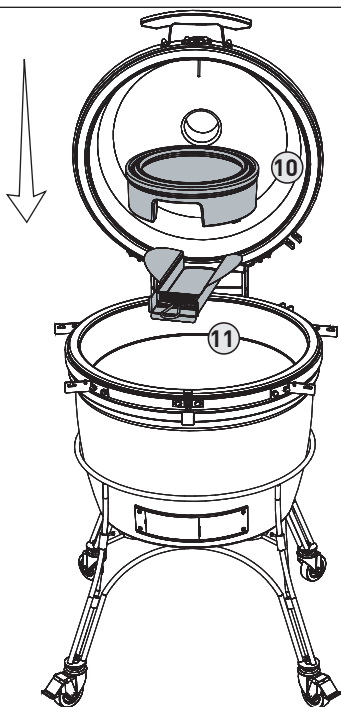
1



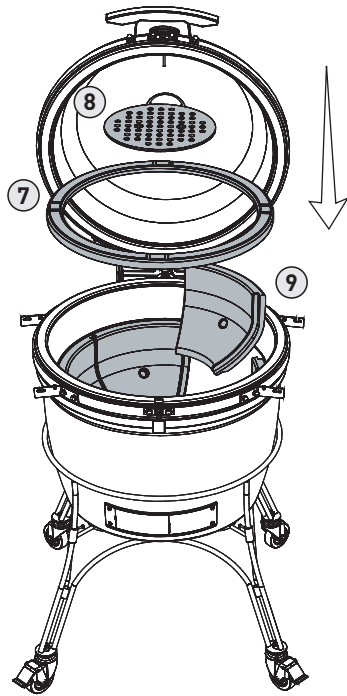
2



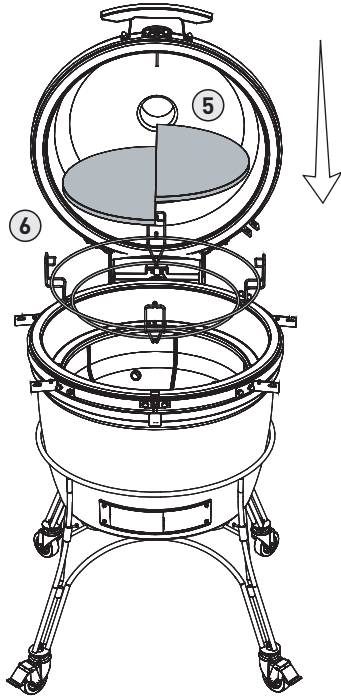
3



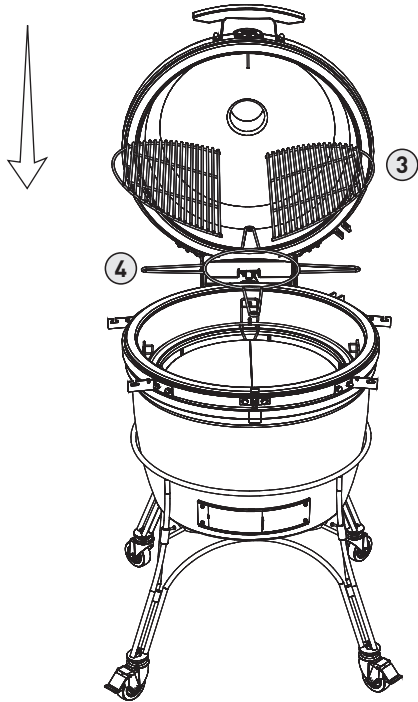
4



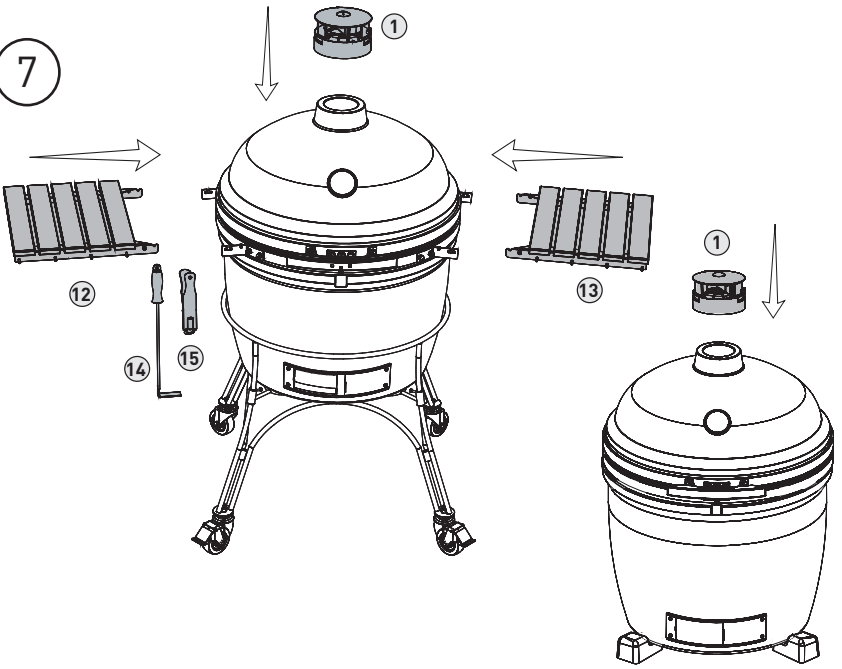
5



6

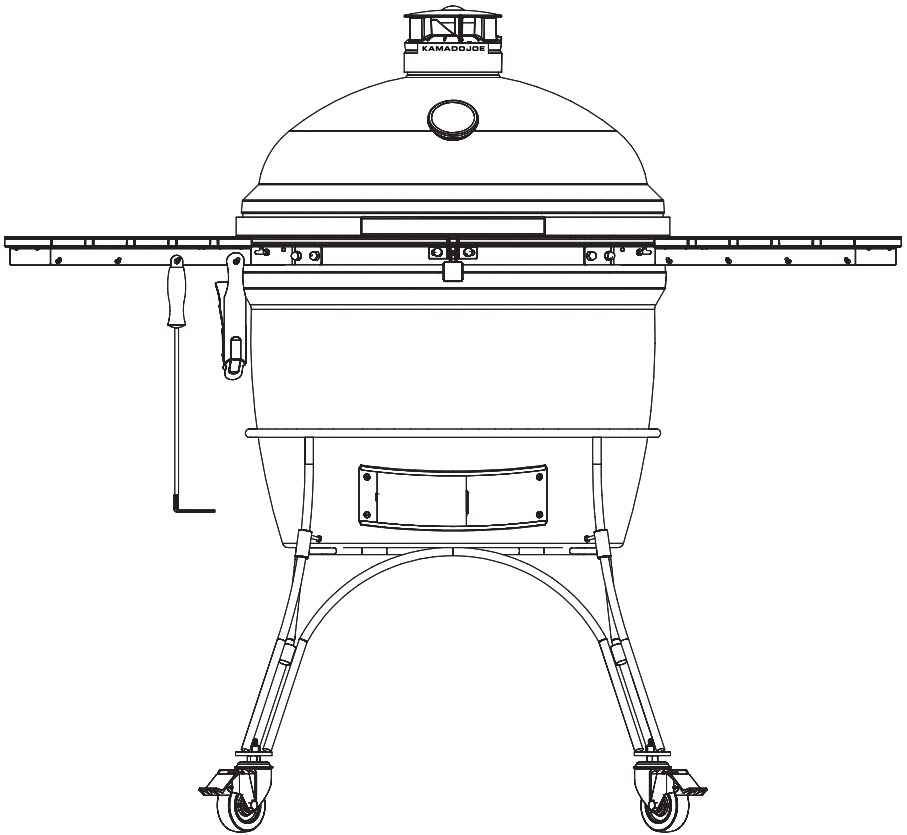


7



STAND ALONE VERSION

8

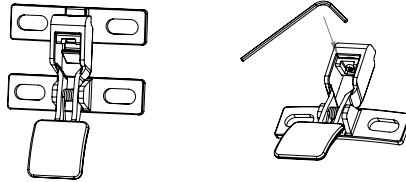


Latch Adjustments

The latch on your Classic III is already preset for an ultra-tight seal. Use these instructions if any adjustments should be needed.

CLASSIC III LATCH

To tighten and loosen the latch setting, use a small Allen wrench. Adjust the set screw to lower the latch plate and add the spacer. Once the spacer is added, reinstall the latch plate by tightening the set screw.



Safety Information

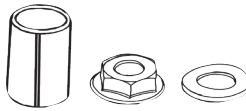
CAUTION

Hinge and band is under high tension, failure to follow instruction steps in order may result in severe injury.

HINGE

Do not attempt to disassemble the hinge or loosen bands from your grill without the hinge disengagement tool kit.

NOTE: Hinge disengagement tool kit (spacer, washer, and hex nut are included). Store these parts in case the hinge needs to be removed later. The hinge cannot be removed safely without these parts.



Use the bottom face and the front lower vent opening as lifting points (Do not lift the grill by the hinge, bands brackets or handle as this could cause the dome to become dislodged from the band).

Only minor adjustments to the weight of the dome should be made per the instructions on page 16.

GASKET

Self-cleaning through natural heat cycle recommended.

Do not use chemical based cleaners on the gasket.

If absolutely necessary, gently wipe off any spills or moisture. Do not scrub or abrade the gasket if cleaning. Excessive rubbing can cause wear.

Cleaning & Care

Your Kamado Joe grill is made of quality materials, so general care and maintenance is minimal. The best way to protect your Kamado Joe from the elements is with a grill cover.

Light cracked porcelain called crazing is part of the natural characteristic.

SELF-CLEANING

- 1** Add charcoal and light it.
- 2** Install the Divide & Conquer® flexible cooking rack in the top position and both heat deflectors on the accessory rack.
- 3** Open the top and bottom air vents fully and let the temperature inside the grill rise to 600°F (315°C) with the dome closed.
- 4** Hold the temperature at around 600°F (315°C) for 15-20 minutes.
- 5** Close the bottom vent fully and wait another 15-20 minutes to close the top vent.

This process will burn off any unwanted residue from the inside of your grill. Before cooking again, brush the cooking grate with a standard grill brush. Use a soft bristle brush on the ceramics to remove any residue. Your heat deflector plates should also be free of burned on residue after this process. Brush them down with a soft bristle brush after cleaning. When your heat deflectors get dirty during normal use, flip them over with the dirty side down for the next cook and the heat from the fire will self-clean that side of the deflector plate.

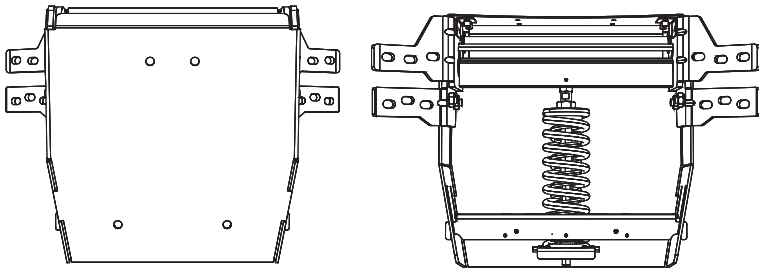
Once or twice a year, you should do a more thorough cleaning of the inside of the grill. Remove the internal components and remove any residual ash or debris that has collected between the grill body and the internal components. Use a plastic bristle brush to clean the inside ceramic surface and scoop or vacuum debris from the bottom of the grill before replacing the internal components.

Big Joe Air Lift Hinge Adjustments

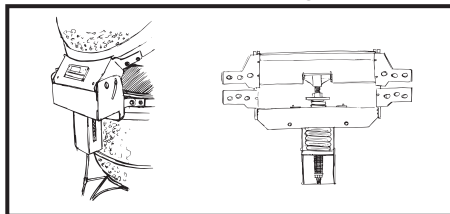
The Air Lift Hinge on your Kamado Joe Big Joe is already pre-adjusted for ideal balance and stability. Follow these instructions for any additional adjustment to suit your personal preferences.

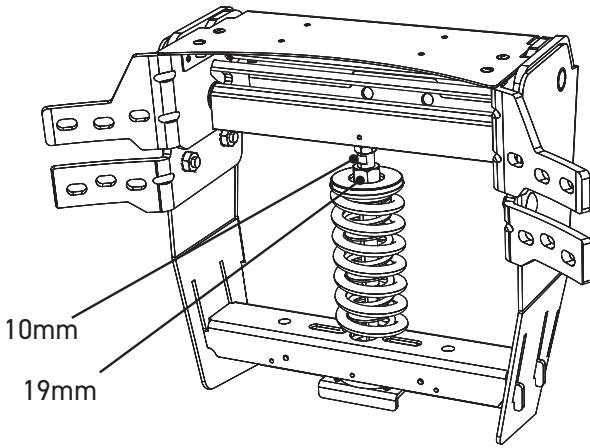
Caution: Air Lift Hinge under high tension.

- 1 Open the dome of your Kamado Joe Big Joe grill.
- 2 With the dome open, place the 10mm wrench on the flats on the screw (see Inset 1).
- 3 Place the 19mm wrench on the nut on top of the spring retainer (see Inset 1).
- 4 To make the dome easier to raise, hold the 10mm wrench stationary and rotate the 19mm wrench clockwise as shown. Remove the wrenches and check the dome action for every full rotation of the nut. If you want the dome to feel heavier, rotate the nut counter-clockwise. Remove the wrenches and check the dome action for every full rotation of the nut. Do not adjust the nut so that it contacts the connector (see Inset 1).

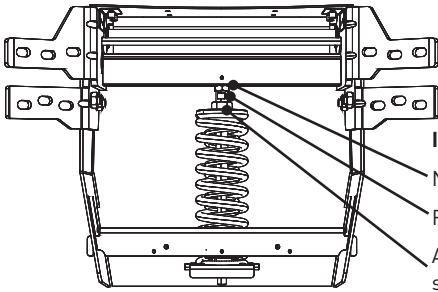
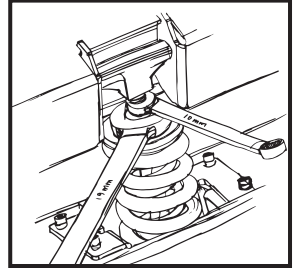


ALTERNATE HINGE



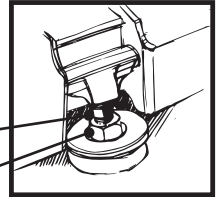


ALTERNATE HINGE



- Inset 1**
- Nut under connector
- Flats on screw
- Adjustment nut on spring retainer

ALTERNATE HINGE



TOOLS REQUIRED: 10 MM OPEN END WRENCH AND 19 MM OPEN END WRENCH.

Quick Start Guide

STARTING IT UP

- 1 Add charcoal to firebox and light using one or two fire starters.
- 2 Leave dome open for 10 minutes with the bottom vent fully open.
- 3 Close the dome.
- 4 Begin closing the top vent and bottom vent when the dome temperature is within 50°F (10°C) of your target.

MAINTAINING TEMPERATURE

To lower the temperature, decrease the airflow through the grill by closing the vents. Conversely, raise the temperature by opening the vents. Adjustments to the vents are not immediate—allow 10–15 minutes for a vent change to take effect. Because your ceramic Kamado Joe retains heat so well, it can take some time to fully heat. Give your grill 20–40 minutes to stabilize the temp before you start cooking.

COOLING IT DOWN

- 1 When finished cooking, close the bottom vent completely.
- 2 Once the temperature falls below 400°F (205°C), close the top vent almost completely, but leave a small crack.
- 3 Do not cover the grill until the dome is cool to the touch.

TO LOWER THE TEMPERATURE, CLOSE THE VENTS.

TO RAISE THE TEMPERATURE, OPEN THE VENTS.

QUICK TEMPERATURE GUIDE

Approximate temperatures for cooking techniques.

GRILLING	400–600° F (205–315°C)
SEARING	500–750° F (260–400°C)
BAKING	300–750° F (150–400°C)
ROASTING	300–450° F (150–230°C)
SMOKING	225–275° F (105–135°C)

CAUTION

BURP

When cooking above 350°F (175°C), carefully open the grill (or burp the grill) each time you lift the grill dome to prevent flashback.

LIQUIDS

Do not spill liquids inside or on the grill while it is hot.

SPARKS

Be aware of sparks and embers when using the grill on a wooden deck.

DURING OPERATION

Do not leave your grill unattended with the grill dome open.

KAMADOJOE®

[KAMADOJOE.COM](https://www.kamadojoe.com)

[KAMADOJOE.COM/CONTACT](https://www.kamadojoe.com/contact)

[KAMADOJOE.COM/WARRANTY](https://www.kamadojoe.com/warranty)

[KAMADOJOE.COM/COLLECTIONS/PARTS](https://www.kamadojoe.com/collections/parts)

KAMADO JOE • 5032 MILGEN CT. • COLUMBUS, GA 31907

GUIDE DE L'UTILISATEUR BIG JOE II



KAMADOJOE®

9804200026 210511-GH


Table des matières

Avertissements	3
Liste des pièces et des outils requis	7
Instructions d'installation du barbecue	8
Instructions d'assemblage	9
Renseignements sur la sécurité	14
Nettoyage et entretien	15
Ajustement de la charnière	16
Guide de démarrage rapide	18
Guide de température rapide	19

Le charbon n'est pas fourni avec le barbecue.

AVERTISSEMENT

- Ce manuel contient des informations qui sont nécessaires pour une utilisation sûre et appropriée de cet appareil.
- Lisez et suivez la totalité des avertissements et des instructions fournis avant d'assembler et d'utiliser l'appareil.
- Conservez ce manuel pour référence ultérieure.

 **L'omission de vous conformer à ces instructions pourrait entraîner un incendie, une explosion ou un risque de brûlure, qui pourrait causer des dommages matériels, des blessures ou la mort.**

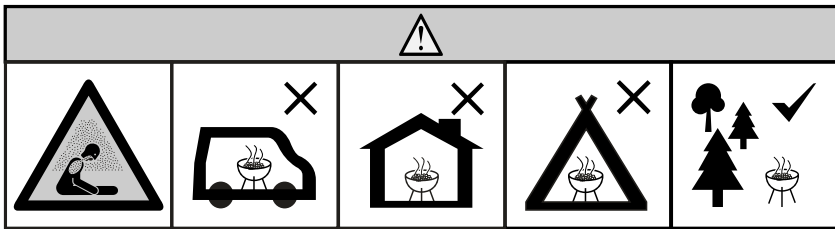
DANGER LIÉ AU MONOXYDE DE CARBONE

- La combustion de charbon ou de copeaux de bois dégage du monoxyde de carbone, qui n'a pas d'odeur et peut causer la mort.
- Utilisez l'appareil uniquement à l'extérieur avec de bonnes conditions de ventilation.

AVERTISSEMENTS ET MISES EN GARDE IMPORTANTES

LISEZ TOUTES LES INSTRUCTIONS

- **AVERTISSEMENT !** Ce barbecue deviendra très chaud. Ne pas le déplacer pendant qu'il fonctionne.
- **AVERTISSEMENT !** Ne pas utiliser à l'intérieur !
- **AVERTISSEMENT !** Ne pas utiliser d'alcool, d'essence ou d'autres liquides semblables pour allumer ou rallumer le barbecue.
- **AVERTISSEMENT !** Garder les enfants et les animaux à distance du barbecue en tout temps. Ne PAS laisser les enfants utiliser le barbecue. Une surveillance attentive est nécessaire si des enfants ou des animaux sont présents à proximité du barbecue en cours d'utilisation.



- Ne pas utiliser le barbecue dans un espace clos ou habitable, par exemple une maison, une tente, une roulotte, une maison mobile ou un bateau. Danger de décès causé par l'empoisonnement au monoxyde de carbone.
- Toujours utiliser le barbecue conformément à tous les codes d'incendie locaux provinciaux et fédéraux applicables.
- Avant toute utilisation, vérifier la totalité des écrous, des vis et des boulons afin de vous assurer qu'ils sont bien serrés.
- Ne jamais faire fonctionner le barbecue sous une structure surélevée comme une couverture, un abri à voitures, une marquise ou un porte-à-faux.
- Ce barbecue est conçu pour une UTILISATION À L'EXTÉRIEUR SEULEMENT.
- Garder une distance minimale de 3 m entre l'appareil et une structure surélevée, un mur, une rampe ou une autre installation quelconque
- Garder une distance minimale de 3 m entre l'appareil et tout matériau combustible comme le bois, les terrasses en bois, les plantes sèches, le gazon, la broussaille, le papier ou la toile.
- Utiliser le barbecue uniquement pour la fonction pour laquelle il a été conçu. Ce barbecue n'est PAS destiné à une utilisation commerciale.
- L'utilisation d'accessoires non fournis par Kamado Joe n'est PAS recommandée et

AVERTISSEMENTS ET MISES EN GARDE IMPORTANTES

peut provoquer des blessures.

- La consommation d'alcool ou de médicaments, sous ordonnance ou en vente libre, peut affecter la capacité de l'utilisateur à assembler le barbecue ou à le faire fonctionner de manière sûre.
- Conserver un extincteur accessible à tout moment pendant le fonctionnement du barbecue.
- Lorsque vous cuisez des aliments avec de l'huile ou de la graisse, ayez un extincteur de type BC ou ABC à portée de main.
- En cas de feu d'huile ou de graisse, ne pas tenter de l'éteindre avec de l'eau. Appeler immédiatement le service d'incendie. Un extincteur de type BC ou ABC peut parfois confiner l'incendie.
- Utiliser le barbecue sur une surface stable, plate et non combustible, comme la terre battue, le béton, la brique ou la pierre. Il est possible qu'une surface asphaltée ne convienne pas.
- Le barbecue DOIT être posé sur le sol. Ne pas poser le barbecue sur une table ou un comptoir. NE PAS déplacer le barbecue sur des surfaces inégales.
- Ne pas utiliser le barbecue sur une surface en bois ou inflammable.
- Garder le barbecue à distance et libre de tout matériau combustible comme l'essence ou tout autre liquide ou gaz inflammable.
- Ne pas laisser le barbecue sans surveillance.
- Ne permettre à PERSONNE de mener des activités autour du barbecue pendant ou après son fonctionnement, tant qu'il n'a pas refroidi.
- Ne jamais mettre de verre, de plastique, ni de céramique dans le barbecue. Ne pas mettre d'articles de cuisine vides dans le barbecue pendant son utilisation.
- Ne jamais déplacer le barbecue pendant l'utilisation. Attendez que le barbecue ait refroidi complètement (température inférieure à 45 °C) avant de le déplacer ou de l'entreposer.
- Ne pas ranger le barbecue s'il contient des cendres ou du charbon chauds. Ne le ranger qu'une fois que le feu est complètement éteint et que toutes les surfaces ont refroidi.
- Ne jamais utiliser le barbecue comme appareil de chauffage. Lire « DANGER LIÉ AU MONOXYDE DE CARBONE ».
- Le barbecue est CHAUD en cours d'utilisation et restera CHAUD pendant un certain temps ensuite et pendant le refroidissement. Faites ATTENTION. Portez des gants de protection.
- NE PAS heurter ou bousculer le barbecue, car cela pourrait causer des blessures, endommager le barbecue ou renverser des liquides de cuisson chauds.
- Faites preuve de prudence lorsque vous retirez des aliments du barbecue. Toutes les surfaces sont CHAUDES et peuvent provoquer des brûlures. Utiliser des mitaines/gants de protection ou des ustensiles de cuisine robustes à long manche

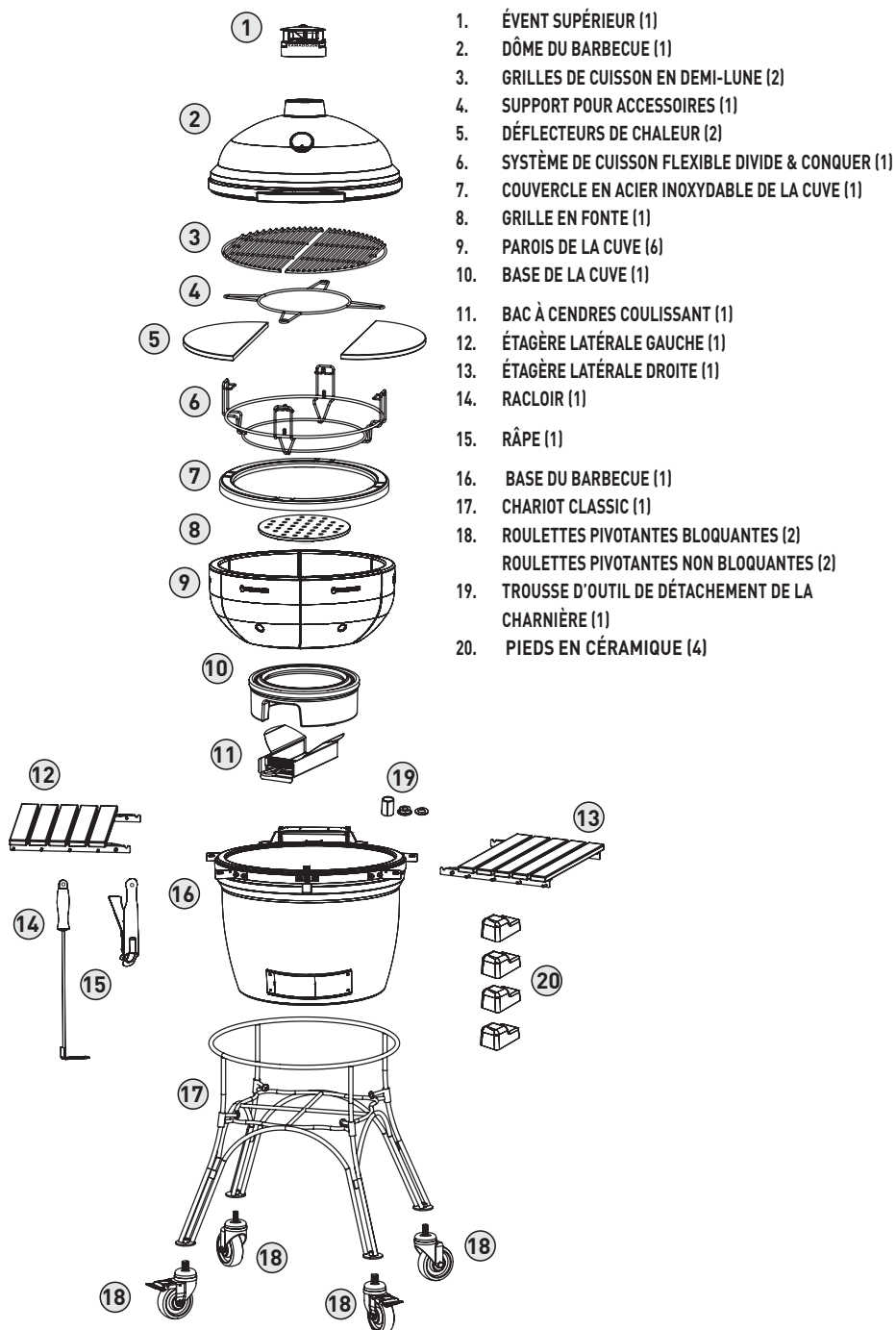


AVERTISSEMENTS ET MISES EN GARDE IMPORTANTES

pour vous protéger des surfaces chaudes ou des éclaboussures provenant des liquides de cuisson.

- Ne pas toucher de surfaces CHAUDES.
- Le barbecue est CHAUD lorsqu'il est en marche. Pour éviter les brûlures, garder le visage et le corps loin des événements et du couvercle lorsque vous l'ouvrez. L'utilisation génère de la vapeur et de l'air chaud.
- Lorsque vous cuisinez à une température supérieure à 175 °C, ouvrir prudemment le barbecue (ou le dépressuriser) lors de chaque ouverture du dôme pour empêcher le retour de flamme, c'est-à-dire une vague de chaleur vive causée par une ruée d'oxygène. Pour éviter une telle situation, ouvrir partiellement le couvercle de 5 à 8 cm et laisser la chaleur s'échapper pendant environ 5 secondes.
- Les entrées d'air sont CHAUDES pendant l'utilisation du barbecue et la période de refroidissement. Porter des gants de protection lorsque vous les ajustez.
- Le barbecue génère une flamme nue. Garder les mains, les cheveux et le visage à distance de la flamme. NE PAS vous pencher au-dessus du barbecue pendant que vous l'allumez. Les cheveux non attachés ou les vêtements amples peuvent s'enflammer.
- NE PAS obstruer la circulation des gaz de combustion ou les orifices de ventilation.
- Ne pas couvrir les grilles de cuisson avec des feuilles métalliques. Cela emprisonnerait la chaleur et pourrait endommager le barbecue.
- Ne jamais laisser des cendres ou du charbon CHAUDS sans surveillance.
- Le combustible doit être maintenu chauffé au rouge pendant au moins 30 minutes avant l'usage.
- Ne pas cuisiner avant que le combustible ne soit couvert d'une couche de cendres.
- Ne pas enlever le bac à cendres pendant que les cendres et le charbon sont CHAUDS.
- Porter des gants de protection lorsque vous manipulez ce barbecue ou que vous travaillez avec du feu. Utiliser des gants de protection ou des outils longs et résistants lors de l'ajout de bois ou de charbon.
- Ne jamais utiliser de liquide d'allumage pour charbon, d'essence, d'alcool ou d'autres fluides extrêmement volatiles pour allumer le charbon. Ces liquides peuvent exploser et causer des blessures ou la mort.
- La quantité maximale de charbon pour le Big Joe est 4,5 kg. Ne jamais trop remplir la grille à charbon. Cela peut causer des blessures graves et endommager le barbecue.
- Mettre au rebut les cendres froides en les enveloppant dans du papier d'aluminium, puis en trempant le tout dans de l'eau avant de le jeter dans un récipient non combustible.
- Le SloRoller ne devrait pas être utilisé à des températures supérieures à 260 °C

CONSERVEZ CES INSTRUCTIONS.



Installation du barbecue

DÉBALLER VOTRE BARBECUE

1 Couper les bandes de plastique et retirer les panneaux de côté et du dessus du conteneur.

2 Mettre la boîte du chariot du barbecue de côté.

3 Ouvrir le dôme et retirer les composants intérieurs du barbecue. Manipuler les parties internes en céramique avec soin.

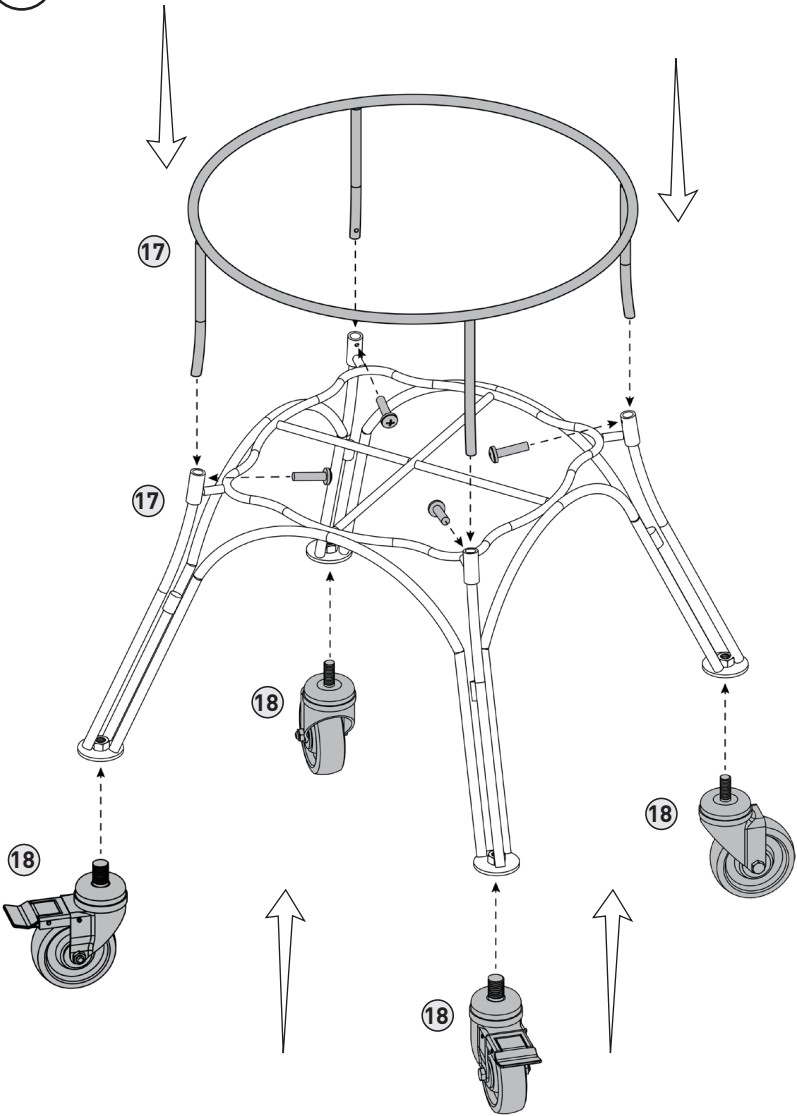
BARBECUE KAMADO JOE AVEC CHARIOT

1 Une fois que les composants intérieurs du barbecue ont été enlevés, soulever le barbecue pour le sortir du contenant et le mettre de côté. En raison du poids de ce barbecue, nous recommandons fortement que cette tâche soit effectuée par deux personnes. Ne PAS soulever le barbecue par les supports des étagères. Utiliser la charnière arrière et l'ouverture de l'évent inférieur à l'avant comme points de levage.

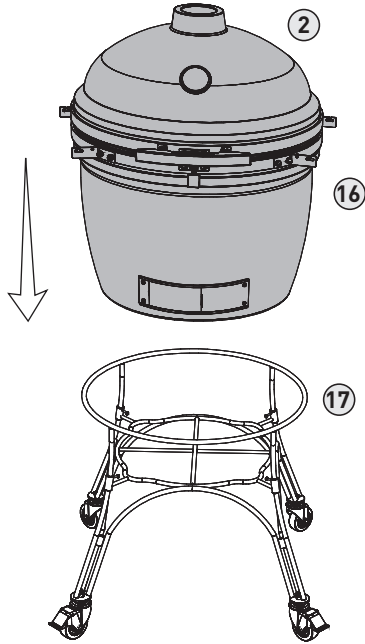
2 Assembler le chariot du barbecue.

3 En utilisant la technique de levage utilisée précédemment, soulever le barbecue et l'insérer dans le chariot. Ajuster le barbecue de façon à ce que l'évent inférieur fasse face à l'avant du chariot. Le devant du chariot est le côté avec les deux roulettes verrouillables.

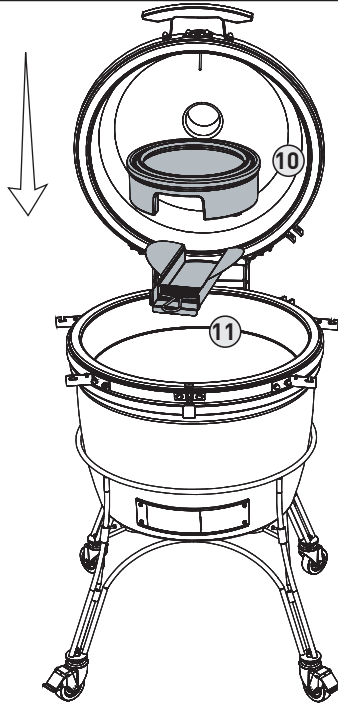
1



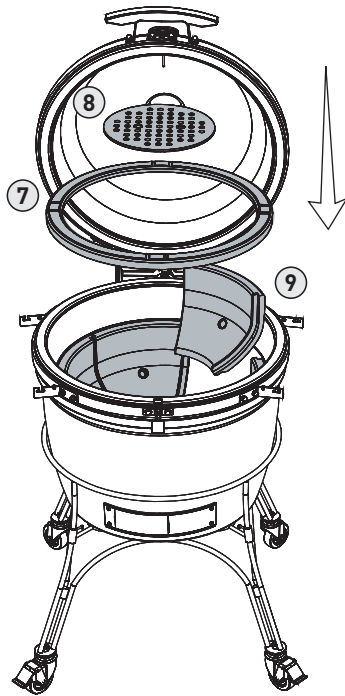
2



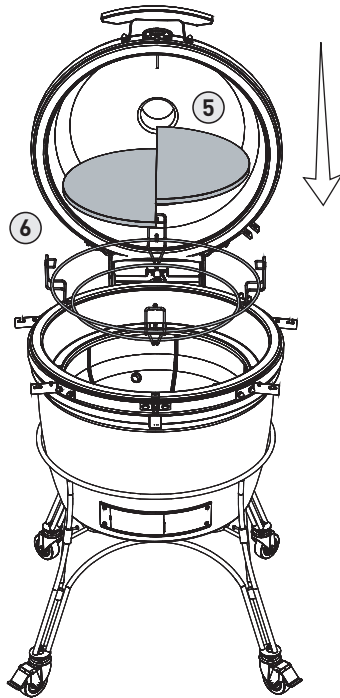
3



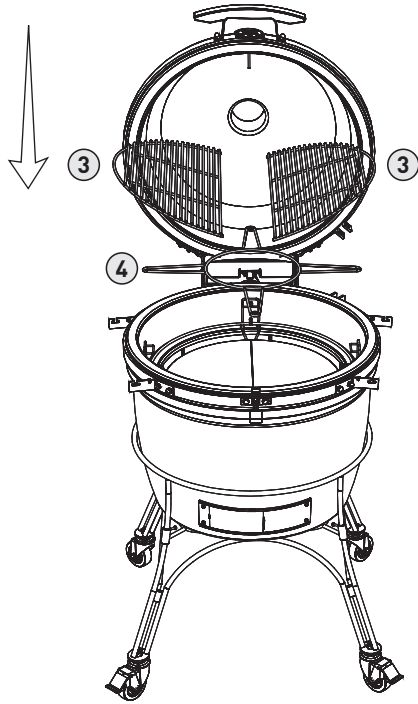
4



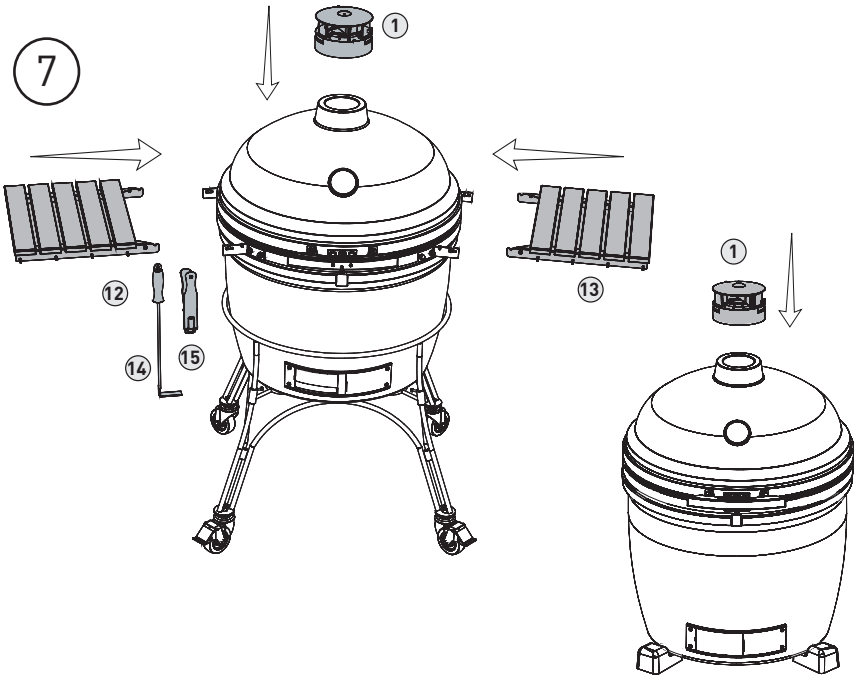
5



6

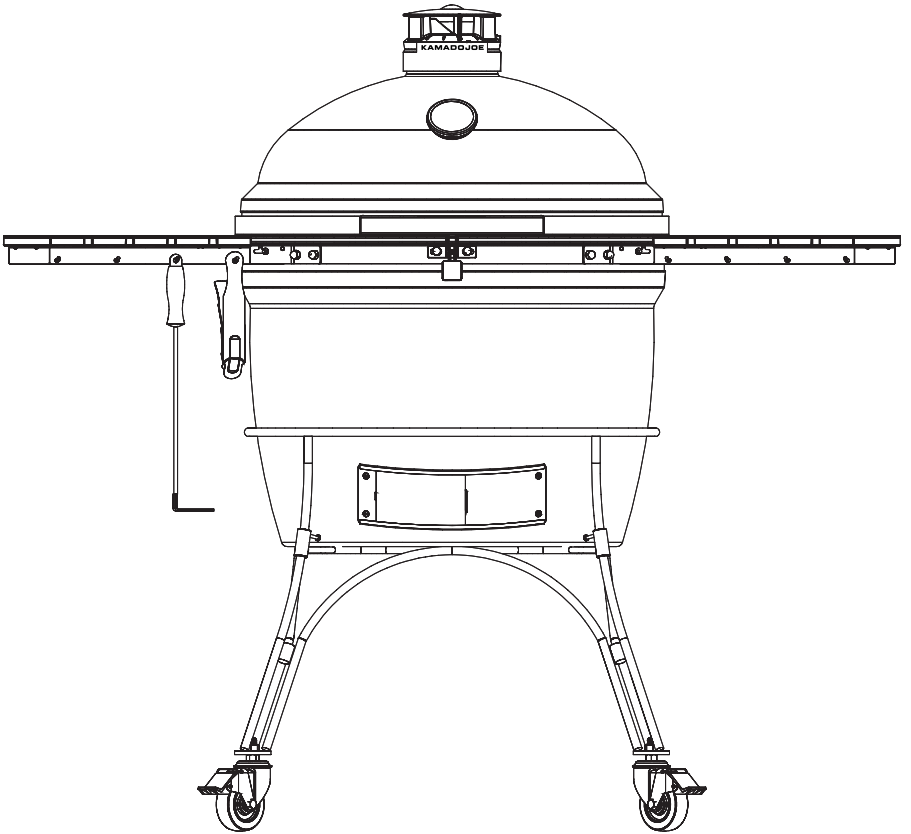


7



VERSION INDÉPENDANTE

8

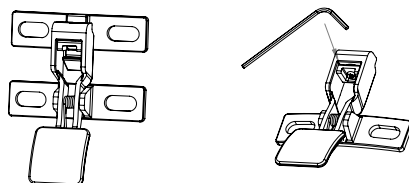


Ajustement du loquet

Le loquet de votre Classic III est préréglé pour un joint d'étanchéité ultra serré. Pour tout ajustement supplémentaire, veuillez suivre ces instructions.

LOQUET DU CLASSIC III

Pour serrer ou desserrer le loquet, utiliser une petite clé Allen. Ajuster l'écrou de réglage pour baisser la plaque du loquet et ajouter le dispositif d'espacement. Une fois le dispositif d'espacement installé, réinstaller la plaque du loquet en serrant l'écrou de réglage.



Renseignements sur la sécurité

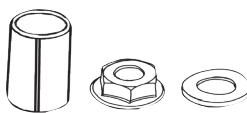
MISE EN GARDE

La charnière et la bande sont fortement tendues. Le manquement à suivre les étapes dans l'ordre pourrait causer des blessures graves.

CHARNIÈRE

Ne pas tenter de démonter la charnière ou de desserrer les bandes de votre barbecue sans utiliser la trousse d'outil de détachement de la charnière.

REMARQUE : trousse d'outil de détachement de la charnière (la plaque d'espacement, la rondelle et l'écrou hexagonal sont inclus). Conservez ces pièces au cas où il faudrait enlever la charnière plus tard. Il est impossible d'enlever la charnière de façon sécuritaire sans ces pièces.



Utiliser la surface intérieure et l'ouverture de l'évent inférieur à l'avant comme points de levage. (Ne pas soulever le barbecue par la charnière, les supports des bandes ou la poignée, car cela pourrait détacher le dôme de la bande.)

Seuls des ajustements mineurs au poids du dôme devraient être effectués, conformément aux instructions sur la page 16.

JOINT D'ÉTANCHÉITÉ

Un autonettoyage avec le cycle de chaleur naturelle est recommandé.

Ne pas utiliser de nettoyeurs à base de produits chimiques sur le joint d'étanchéité.

Si c'est absolument nécessaire, essuyer doucement les renversements ou l'humidité. Ne pas frotter ou abraser le joint pendant le nettoyage. Un frottage excessif peut causer de l'usure.

Nettoyage et entretien

Nous avons conçu et fabriqué votre barbecue Kamado Joe avec des matériaux de qualité afin de minimiser l'entretien et le nettoyage généraux. La meilleure façon de protéger votre Kamado Joe contre les éléments consiste à utiliser une housse.

Les légères craquelures de la porcelaine constituent une caractéristique naturelle.

AUTONETTOYAGE

- 1** Ajouter du charbon de bois et l'allumer.
- 2** Installer la grille de cuisson flexible Divide & Conquer® sur la position supérieure, et les deux déflecteurs de chaleur sur le support pour accessoires.
- 3** Ouvrir complètement les événements supérieur et inférieur et laisser la température à l'intérieur du barbecue s'élever à 315 °C avec le dôme fermé.
- 4** Maintenir la température à environ 315 °C pendant 15 à 20 minutes
- 5** Fermer complètement l'événement inférieur, attendre 15 à 20 minutes de plus et fermer l'événement supérieur.

Ce processus brûlera tout résidu indésirable logé à l'intérieur du barbecue. Avant de cuisiner à nouveau, brossez la grille de cuisson avec une brosse à barbecue standard. Utilisez une brosse à soies souples sur les pièces en céramique pour enlever les résidus. Après ce processus, vos déflecteurs de chaleur devraient également être exempts de résidus brûlés. Les brosser avec une brosse à soies souples après le nettoyage. Si les déflecteurs de chaleur deviennent sales lors d'une utilisation normale, les retourner afin que le côté sale soit vers le bas pendant la prochaine cuisson et la chaleur autonettoiera ce côté.

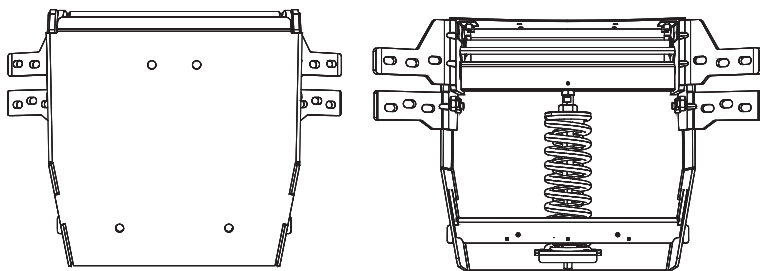
Une ou deux fois l'an, vous devriez faire un plus gros nettoyage de l'intérieur du barbecue. Retirez les composants internes et retirez les cendres ou débris résiduels qui se sont accumulés entre le corps du barbecue et les composants internes. Utilisez une brosse à poils souples en plastique pour nettoyer la surface intérieure de céramique, et vider ou aspirer les débris du fond du barbecue avant de replacer les composants internes.

Ajustement de la charnière « Air Lift » du Big Joe

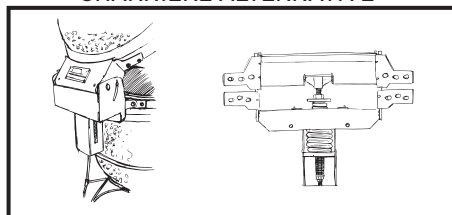
La charnière « Air Lift » de votre barbecue Kamado Joe Big Joe est préajustée pour vous offrir une stabilité et un équilibre idéaux. Pour tout ajustement supplémentaire convenant mieux à vos préférences personnelles, veuillez suivre ces instructions.

Attention : La charnière « Air Lift » est sous tension.

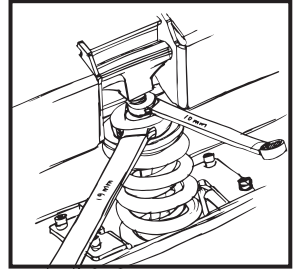
- 1 Ouvrir le dôme de votre barbecue Kamado Joe Big Joe.
- 2 Une fois le dôme ouvert, placer la clé de 10 mm sur les parties plates de la vis (voir l'encart 1).
- 3 Placer la clé de 19 mm sur l'écrou du dispositif de retenue du ressort (voir l'encart 1).
- 4 Pour rendre le dôme plus facile à soulever, tenir la clé de 10 mm stationnaire et tourner la clé de 19 mm dans le sens des aiguilles d'une horloge, de la façon illustrée. Retirer les clés et vérifier le mouvement du dôme pour chaque rotation complète de l'écrou. Si vous voulez que le dôme semble plus lourd, tourner l'écrou dans le sens antihoraire. Retirer les clés et vérifier le mouvement du dôme pour chaque rotation complète de l'écrou. Ne pas ajuster l'écrou de façon à ce qu'il entre en contact avec le connecteur (voir l'encart 1).



CHARNIÈRE ALTERNATIVE

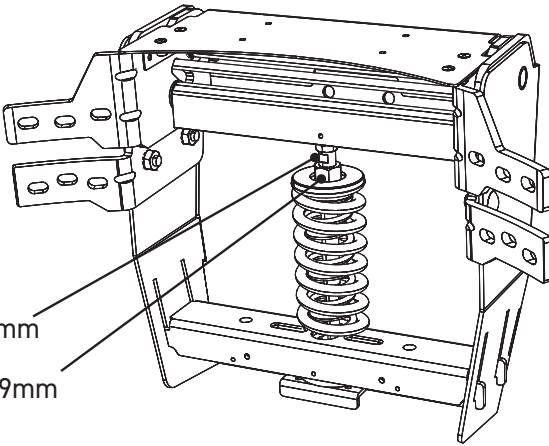


CHARNIÈRE ALTERNATIVE

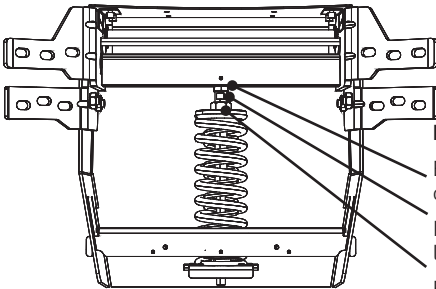
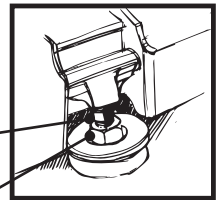


10mm

19mm



CHARNIÈRE ALTERNATIVE



Encart 1

Écrou sous le connecteur

Parties plates de la vis

Écrou d'ajustement du dispositif de retenue du ressort

OUTILS NÉCESSAIRES: CLÉ À FOURCHE DE 10 MM ET CLÉ À FOURCHE DE 19 MM

Guide de démarrage rapide

MISE EN SERVICE

- 1 Ajouter du charbon de bois à votre barbecue et l'allumer en utilisant un ou deux allume-feu.
- 2 Laisser le dôme ouvert pendant environ 10 minutes avec l'évent inférieur entièrement ouvert.
- 3 Fermer le dôme.
- 4 Commencer à fermer les événements supérieur et inférieur lorsque la température du dôme est à 10 °C de votre température cible.

MAINTIEN DE LA TEMPÉRATURE

Pour baisser la température, diminuer le débit d'air du barbecue en fermant les événements. À l'opposé, augmenter la température en les ouvrant. Les ajustements des événements n'ont pas un effet immédiat : prévoir 10 à 15 minutes pour que le changement prenne effet. Parce que votre barbecue Kamado Joe retient si bien la chaleur, il peut prendre un certain temps pour chauffer complètement. Prévoir entre 20 et 40 minutes pour que la température du barbecue se stabilise avant de commencer la cuisson.

REFROIDISSEMENT DU BARBECUE

- 1 Lorsque vous avez fini de cuisiner, fermer entièrement l'évent inférieur.
- 2 Dès que la température sera tombée à moins de 205 °C, fermer l'évent supérieur presque entièrement, en laissant une petite fente.
- 3 Ne pas couvrir le barbecue si le dôme est encore chaud.

**POUR BAISSER LA TEMPÉRATURE, FERMER LES ÉVÉNEMENTS.
POUR L'AUGMENTER, OUVRIR LES ÉVÉNEMENTS.**

Guide de température rapide

Températures approximatives pour les techniques de cuisson.

LA CUISSON AU GRIL 205–315 °C

LA SAISIE 260–400 °C

LA CUISSON 150–400 °C

LE RÔTISSAGE 150–230 °C

LE FUMAGE 105–135 °C

MISE EN GARDE

DÉPRESSURISATION

Lorsque vous cuisinez à une température supérieure à 175 °C, ouvrir le barbecue avec précaution (ou le dépressuriser) chaque fois que vous soulevez le dôme pour éviter le retour de flamme.

LIQUIDES

Ne pas renverser de liquides à l'intérieur du barbecue ou sur celui-ci pendant qu'il est chaud.

ÉTINCELLES

Soyez conscient des étincelles et des braises lorsque vous utilisez le barbecue sur une terrasse en bois.

PENDANT L'UTILISATION

Ne pas laisser votre barbecue sans surveillance si le dôme est ouvert.

KAMADOJOE®

[KAMADOJOE.COM](https://www.kamadojoe.com)

[KAMADOJOE.COM/CONTACT](https://www.kamadojoe.com/contact)

[KAMADOJOE.COM/WARRANTY](https://www.kamadojoe.com/warranty)

[KAMADOJOE.COM/COLLECTIONS/PARTS](https://www.kamadojoe.com/collections/parts)

KAMADO JOE • 5032 MILGEN CT. • COLUMBUS, GA 31907

MANUAL DE USUARIO DEL BIG JOE II



KAMADOJOE®

9804200026 210511-GH

Índice

Advertencias	3
Lista de partes y herramientas requeridas	7
Instrucciones de configuración de la parrilla	8
Instrucciones de ensamblaje	9
Información de seguridad	14
Limpieza y cuidado	15
Ajustes de la bisagra	16
Guía de inicio rápido	18
Guía rápida de temperatura	19

La parrilla no viene con carbón incluido



ADVERTENCIA

- Este manual contiene información importante necesaria para el correcto ensamblaje y uso seguro del aparato.
- Lea y siga todas las advertencias e instrucciones antes de ensamblar y usar el aparato.
- Conserve este manual para referencia en el futuro.



Si no sigue estas instrucciones, podría producirse un peligro de incendio, explosión o quemadura, lo cual podría causar daños a la propiedad, lesiones personales o la muerte.



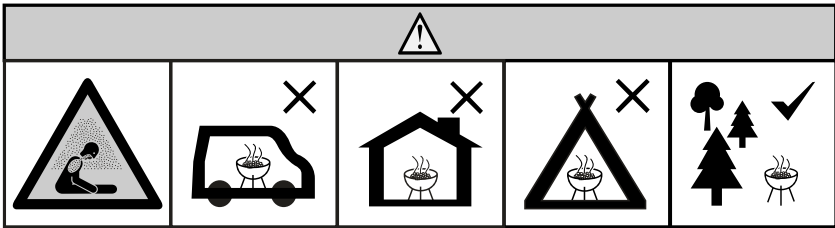
PELIGRO DE MONÓXIDO DE CARBONO

- Quemar trozos de madera o carbón genera monóxido de carbono, el cual no tiene olor y puede causar la muerte.
- Use solamente las áreas exteriores donde está bien ventilado.

ADVERTENCIAS Y SALVAGUARDAS IMPORTANTES

LEA TODAS LAS INSTRUCCIONES

- **¡ADVERTENCIA!** Esta parrilla se tornará muy caliente. No la mueva mientras esté en funcionamiento.
- **¡ADVERTENCIA!** ¡No usar en interiores!
- **¡ADVERTENCIA!** No usar alcohol, gasolina u otros líquidos similares para encender o reencender la parrilla.
- **¡ADVERTENCIA!** Mantenga a los niños y mascotas lejos de la parrilla en todo momento. NO permita que los niños usen la parrilla. Es necesaria una supervisión cercana cuando haya niños o mascotas en el área donde se usa la parrilla.



- No use la parrilla en un espacio confinado y/o habitable, p. ej. en casas, tiendas, remolques, casas rodantes, botes. Peligro: Muerte por envenenamiento por monóxido de carbono.
- Siempre use la parrilla en conformidad con todos los códigos contra incendios locales, estatales y federales aplicables.
- Antes de cada uso, verifique todas las tuercas, tornillos y pernos para asegurarse que estén firmes y asegurados.
- Nunca opere la parrilla bajo ninguna construcción aérea, como cubiertas de techos, porches de autos, toldos o voladizos.
- La parrilla es SOLO PARA USO EN EXTERIORES.
- Mantenga una distancia mínima de 3m de construcciones aéreas, paredes, rieles u otras estructuras.
- Mantenga un mínimo de 3m de espacio libre de todos los materiales combustibles como madera, plataformas de madera, plantas secas, césped, escobillas, papel o lienzos.
- Nunca use la parrilla para ninguna otra cosa que no sea su propósito intencionado. Esta parrilla NO es para uso comercial.
- NO se recomienda usar accesorios adicionales no suministrados por Kamado Joe; estos podrían causar lesiones.

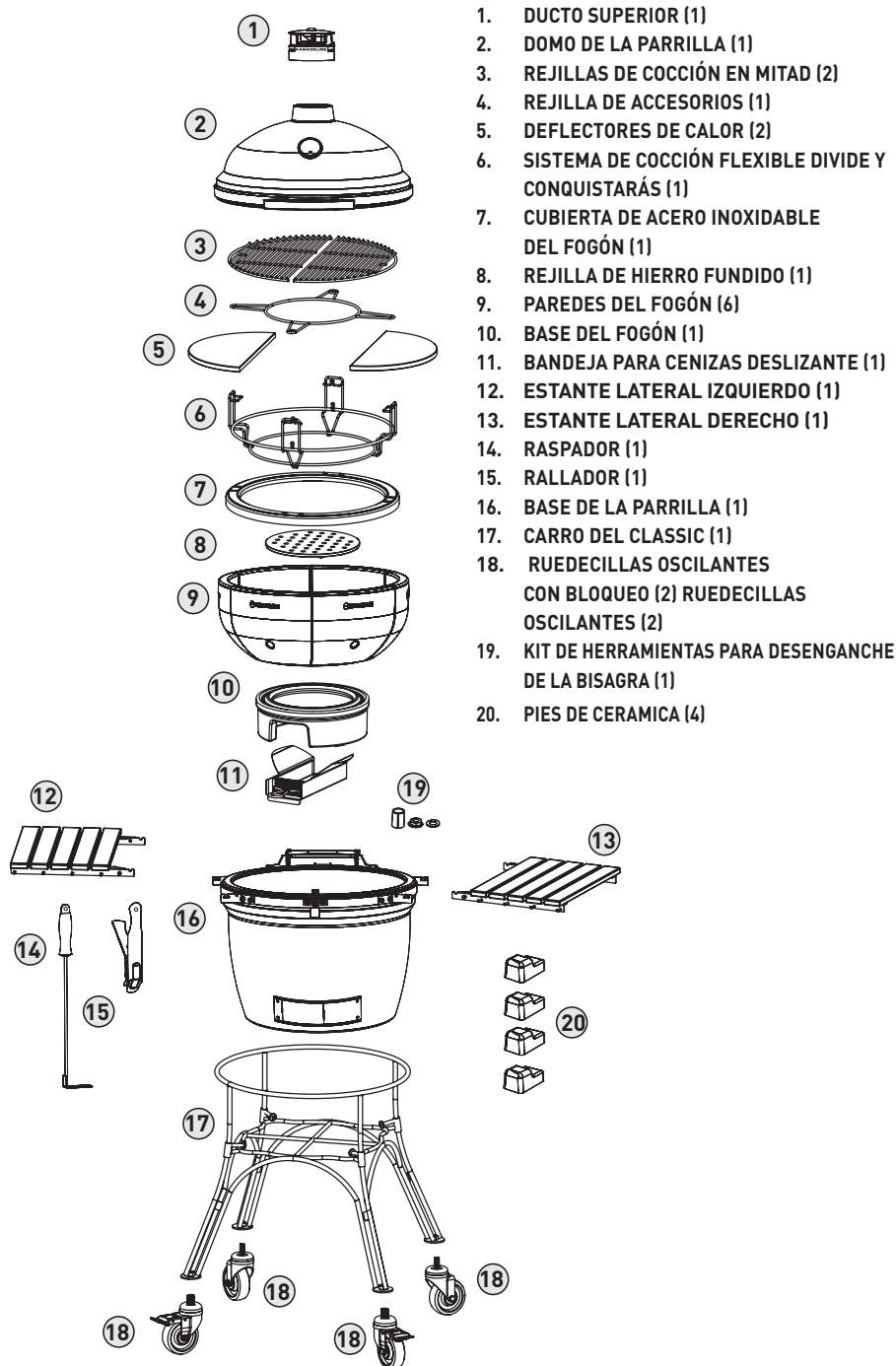
ADVERTENCIAS Y SALVAGUARDAS IMPORTANTES

- El uso de alcohol y de medicamentos con o sin receta pueden obstaculizar la habilidad del usuario de ensamblar u operar la parrilla.
- Conserve un extintor de incendios accesible en todo momento mientras opere la parrilla.
- Cuando cocine con aceite o grasa, tenga un extintor tipo BC o ABC a disponibilidad.
- En caso de un incendio de aceite o grasa, no intente extinguirlo con agua. Llame inmediatamente al departamento de bomberos. En ciertos casos, un extintor tipo BC o ABC puede contener el incendio.
- Use la parrilla sobre una superficie no combustible y estable tal como tierra, concreto, ladrillo o piedra. Mejor no utilizar una superficie de asfalto (bituminosa) para este propósito.
- La parrilla DEBE estar sobre el suelo. No coloque la parrilla en mesas o mostradores. NO mueva la parrilla por superficies desniveladas.
- No use la parrilla en superficies de madera o inflamables.
- Mantenga la parrilla despejada y libre de materiales combustibles, como gasolina y otros vapores y líquidos inflamables.
- No deje la parrilla desatendida.
- NO permita que nadie realice actividades alrededor de la parrilla durante o después de su uso hasta que se haya enfriado.
- Nunca use recipientes de vidrio, plástico o cerámica en la parrilla. Nunca coloque utensilios vacíos en la parrilla mientras esté en uso.
- Nunca mueva la parrilla cuando esté en uso. Deje que la parrilla se enfríe completamente (por debajo de los 45°C antes de moverla o guardarla).
- No almacene la parrilla con carbón o cenizas calientes dentro de ella. Almacene únicamente cuando el fuego esté totalmente apagado y todas las superficies estén frías.
- Nunca use la parrilla como un calentador. LEA PELIGRO DEL MONÓXIDO DE CARBONO.
- La parrilla está CALIENTE mientras está en uso y permanecerá CALIENTE por un cierto período de tiempo y durante el proceso de enfriamiento. Tenga PRECAUCIÓN. Use guantes/mitones de protección.
- NO choque o golpee la parrilla para evitar lesiones personales, daños a la parrilla o derrames/salpicaduras del líquido de cocción caliente.
- Tenga cuidado cuando retire los alimentos de la parrilla. Todas las superficies están CALIENTES y pueden causar quemaduras. Use guantes/mitones de protección o herramientas de cocción resistentes para protegerse de las superficies calientes o las salpicaduras de los líquidos de la cocción.

ADVERTENCIAS Y SALVAGUARDAS IMPORTANTES

- No toque las superficies CALIENTES.
- La parrilla está CALIENTE durante su uso. Para evitar quemaduras, mantenga el rostro y cuerpo lejos de ductos cuando abra la tapa. Se expelen vapor y aire caliente durante el uso.
- Cuando cocine por encima de los 180°C, abra cuidadosamente la parrilla (o deje que la parrilla "eructe") cada vez que levante su domo para evitar estallidos, un disparo de calor caliente blanco provocado por una ráfaga de oxígeno. Abrir parcialmente la tapa 5-8 cm y dejar que el calor se escape por unos 5 segundos ("hacer eructar" la parrilla) debería evitar esto.
- Los reguladores de aire están CALIENTES mientras la parrilla esté en uso y durante el enfriamiento. Use guantes protectores cuando realice ajustes.
- La parrilla tiene una llama abierta. Mantenga las manos, cabello y rostro lejos de la llama. NO se incline sobre la parrilla mientras la esté encendiendo. El cabello y la ropa sueltos pueden incendiarse.
- NO obstruya el flujo de combustión y ventilación.
- No cubra las rejillas de cocción con papel aluminio. Esto atraparé el calor y podría causar daños a la parrilla.
- Nunca desatienda el carbón o las cenizas CALIENTES.
- El combustible debe mantenerse al rojo vivo al menos por 30 minutos antes de su uso.
- No cocine antes que el combustible tenga una cubierta de cenizas.
- No retire la bandeja para cenizas mientras las cenizas y el carbón estén CALIENTES.
- Use guantes protectores cuando manipule esta parrilla o cuando trabaje con fuego. Use guantes protectores o herramientas largas y robustas cuando agregue madera o carbón vegetal.
- Nunca use líquido de encendido de carbón, gasolina, alcohol u otros líquidos altamente volátiles para encender el carbón vegetal. Estos fluidos pueden explotar y causar lesiones o la muerte.
- La cantidad máxima de carbón vegetal para el Big Joe es 4,5 kg. Nunca llene demasiado la rejilla del carbón. Esto puede ocasionar lesiones graves así como dañar la parrilla.
- Deseche las cenizas frías colocándolas en papel aluminio, remojándolas en agua y desechándolas en un contenedor no combustible.
- El SloRoller no debe usarse para temperaturas mayores de 260°C

CONSERVE ESTAS INSTRUCCIONES



Configuración de la parrilla

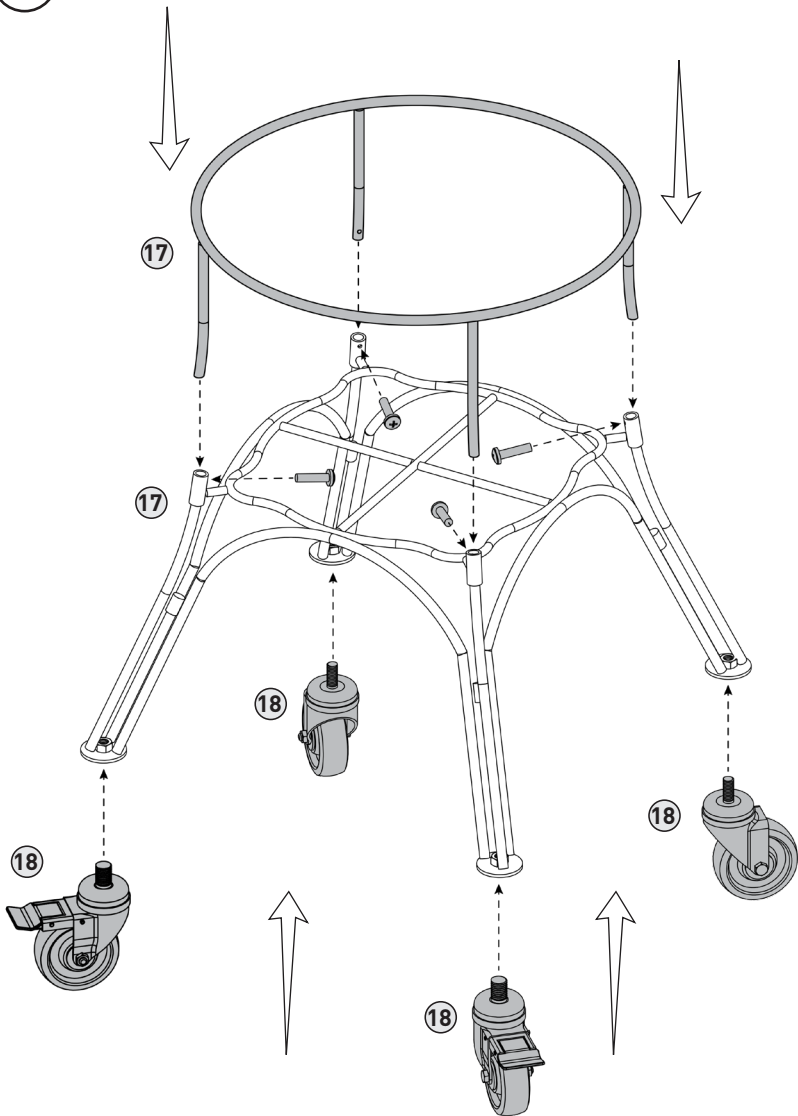
DESEMPACANDO SU PARRILLA

- 1 Corte las bandas de plástico y retire los paneles superior y lateral del contenedor de envío.
- 2 Coloque la caja del carro de la parrilla aparte.
- 3 Abra el domo de la parrilla y retire los componentes de la parte interior de la parrilla. Manipule las partes de cerámica internas con cuidado.

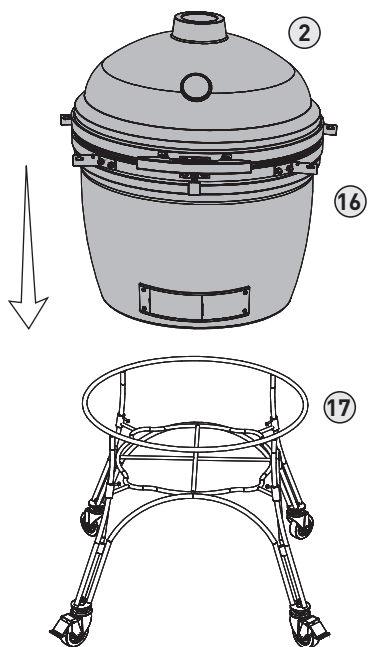
PARRILLA KAMADO JOE CON CARRO

- 1 Una vez que los componentes internos de la parrilla hayan sido retirados, levante la parrilla fuera del contenedor y póngala a un lado. Debido al peso de esta parrilla, recomendamos que dos personas realicen esta tarea. NO levante la parrilla por las lengüetas de la repisa lateral. Use la bisagra posterior y la abertura del ducto inferior frontal como puntos de elevación.
- 2 Ensamble el carro de la parrilla.
- 3 Con la misma técnica de elevación anteriormente usada, levante la parrilla y colóquela dentro del carro. Ajuste la parrilla en el carro para que el ducto inferior de la parrilla esté mirando a la parte delantera del carro. El lado delantero del carro es el costado con las dos ruedecillas con bloqueo.

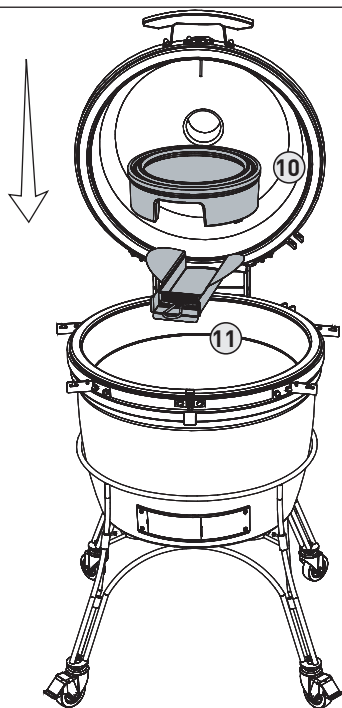
1



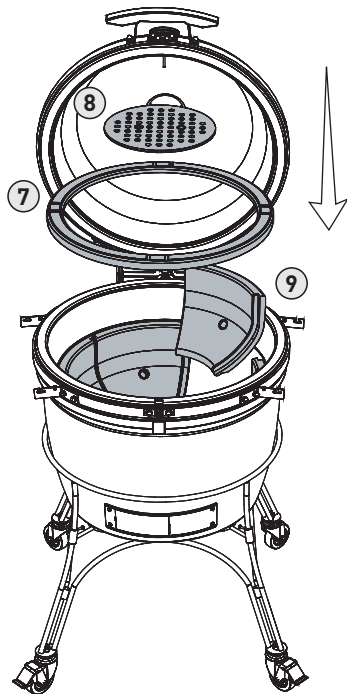
2



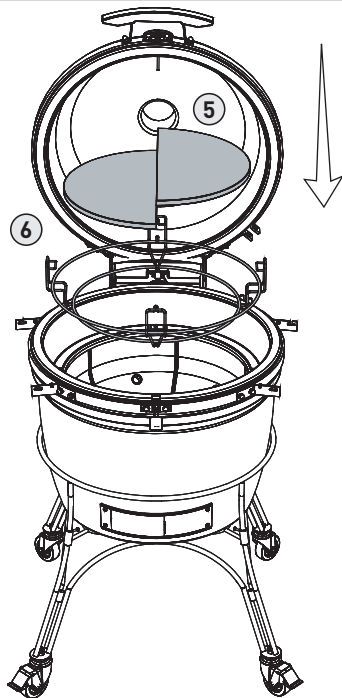
3



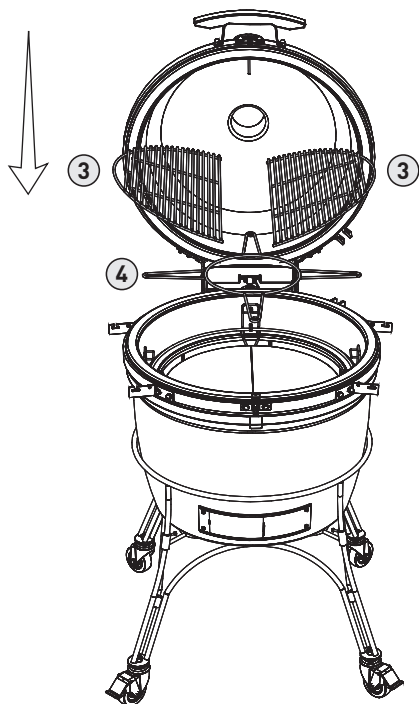
4



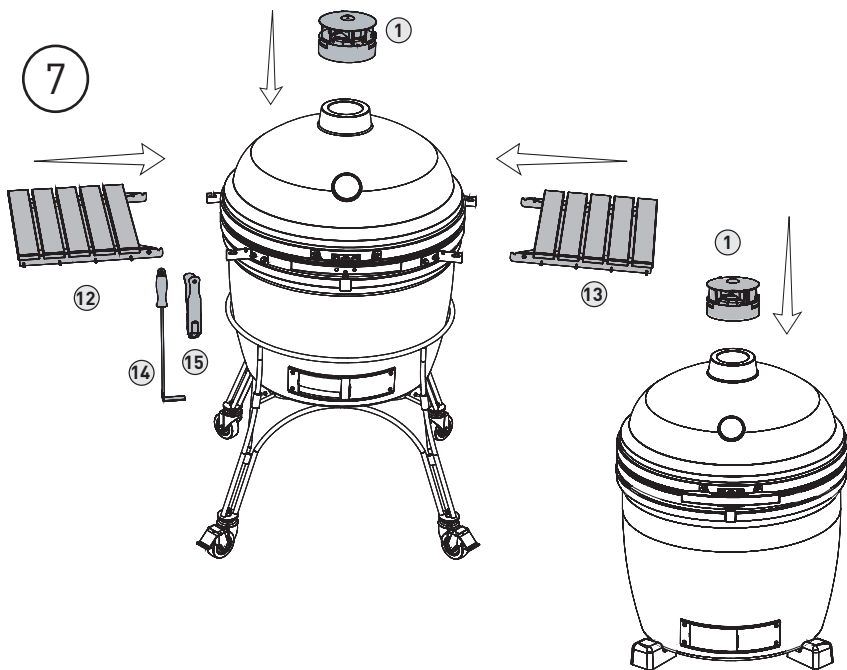
5



6

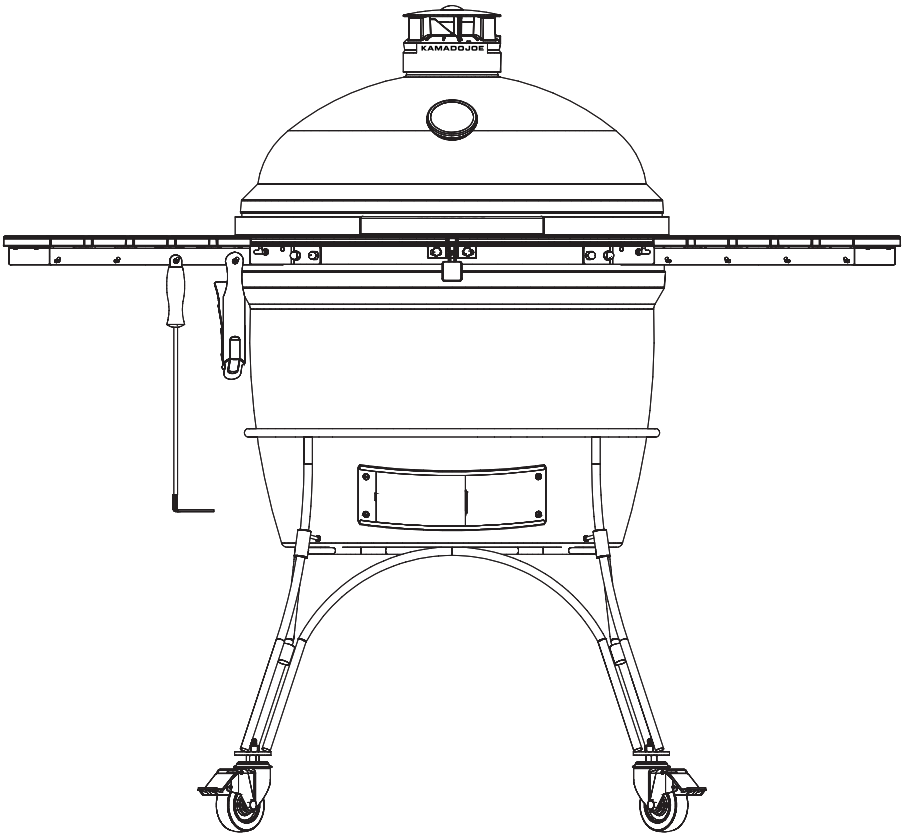


7



VERSIÓN INDEPENDIENTE

8

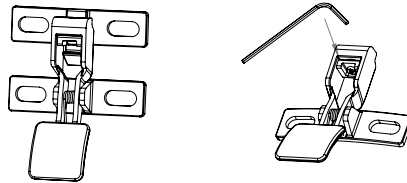


Ajustes del seguro

El seguro de su Classic III ya está preconfigurado para un sellado ultra hermético. Use estas instrucciones si necesita hacer algún ajuste.

SEGURO DEL CLASSIC III

Para ajustar y aflojar la configuración del seguro, use una llave Allen pequeña. Ajuste el tornillo a presión para bajar la placa del seguro y añadir el espaciador. Una vez añadido el espaciador, reinstale la placa del seguro ajustando el tornillo a presión.



Información de seguridad

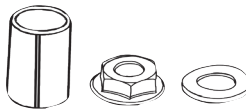
PRECAUCIÓN

La bisagra y banda están bajo alta tensión; si no se siguen los pasos de las instrucciones, podrían producirse lesiones graves.

BISAGRA

No intente desensamblar la bisagra o aflojar las bandas de su parrilla sin el kit de herramientas de desenganche de la bisagra.

NOTA: El kit de herramientas de desenganche de la bisagra (espaciador, arandela y tuerca hexagonal) viene incluido. Guarde estas piezas en caso que se tenga que retirar posteriormente la bisagra. La bisagra no puede retirarse con seguridad sin estas piezas.



Use la cara inferior y la abertura del ducto inferior frontal como puntos de elevación (No levante la parrilla por la bisagra, las abrazaderas de bandas o el asa, ya que esto podría hacer el domo se desaloje de la banda).

Sólo deben hacerse pequeños ajustes al peso del domo, según las instrucciones de la página 16.

JUNTA

Se recomienda la autolimpieza a través de un ciclo de calor natural.

No use limpiadores químicos en la junta.

Si es absolutamente necesario, limpie suavemente cualquier derrame o traza de humedad. No frote o raspe la junta si está limpiándola. Raspar excesivamente puede causar desgaste.

Limpieza y cuidado

Su parrilla Kamado Joe está hecha con materiales de calidad, así que el cuidado y mantenimiento generales son mínimos. La mejor manera de proteger su Kamado Joe del clima, es con una cubierta para parrillas.

La porcelana ligeramente rajada se llama cuarteada y es parte de la característica natural.

AUTOLIMPIEZA

- 1** Añada carbón y enciéndalo.
- 2** Instale la rejilla de cocción flexible Divide & Conquer® en la posición superior y ambos deflectores de calor en la rejilla de accesorios.
- 3** Abra completamente los ductos de aire superior e inferior y deje que la temperatura dentro de la parrilla se eleve a 315°C con el domo cerrado.
- 4** Mantenga la temperatura a unos 320°C por 15 a 20 minutos.
- 5** Cierre completamente el ducto inferior y espere otros 15 a 20 minutos para cerrar el ducto superior.

Este proceso quemará cualquier residuo indeseado de la parte interna de su parrilla. Antes de volver a cocinar, cepille la rejilla de cocción con un cepillo para parrillas estándar. Use un cepillo de cerdas suaves en la cerámica para retirar cualquier residuo. Las placas de su deflector de calor tampoco deben tener residuos quemados luego de este proceso. Cepíllelas con un cepillo de cerdas suave luego de la limpieza. Cuando sus deflectores de calor se ensucian por el uso normal, deles la vuelta con el lado sucio hacia abajo para la próxima cocción y el calor del fuego limpiará automáticamente ese lado de la placa deflectora.

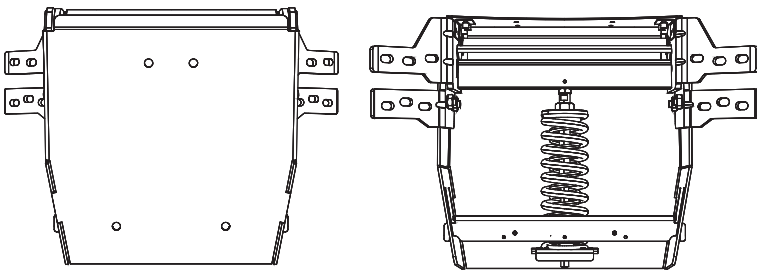
Una o dos veces al año, debe hacer una limpieza más profunda de la parte interna de la parrilla. Retire los componentes internos y retire cualquier ceniza o escombros residual que se haya recogido entre el cuerpo de la parrilla y los componentes internos. Use un cepillo de cerdas de plástico para limpiar la superficie cerámica interna y recoja con una cuchara los escombros de la parte inferior de la parrilla antes de reemplazar los componentes internos.

Ajustes de la bisagra neumática del Big Joe

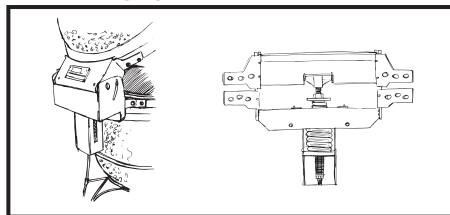
La bisagra neumática de su Kamado Joe Big Joe ya viene previamente ajustada para un equilibrio y estabilidad ideales. Siga estas instrucciones para cualquier ajuste adicional, según sus preferencias personales.

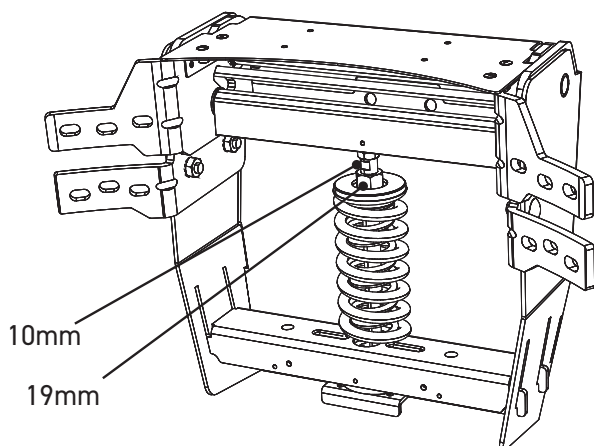
Precaución: Bisagra neumática bajo alta tensión.

- 1 Abra el domo de su parrilla Kamado Joe Big Joe.
- 2 Con el domo abierto, coloque la llave de 10mm en los planos del tornillo (ver recuadro 1).
- 3 Coloque la llave de 19 mm en la tuerca sobre el retenedor de resorte (ver recuadro 1).
- 4 Para facilitar la elevación del domo, sostenga la llave de 10 mm fija y gire la llave de 19 mm hacia la derecha como se muestra. Retire las llaves y verifique la acción del domo para cada rotación completa de la tuerca. Si desea que el domo se sienta más pesado, gire la tuerca hacia la izquierda. Retire las llaves y verifique la acción del domo para cada rotación completa de la tuerca. No ajuste la tuerca para que pueda contactar a la que está debajo del conector (ver recuadro 1).

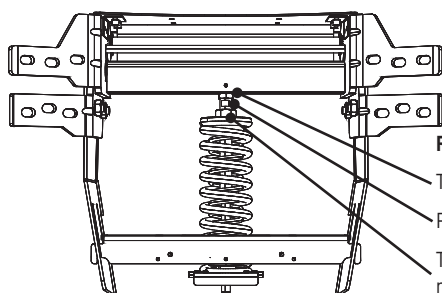
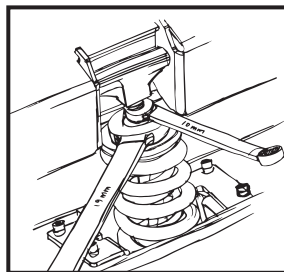


BISAGRA ALTERNATIVA





BISAGRA ALTERNATIVA



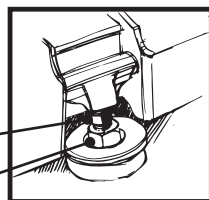
Recuadro 1

Tuerca bajo el conector

Planos en el tornillo

Tuerca de ajuste en el retenedor de resorte

BISAGRA
ALTERNATIVA



HERRAMIENTAS NECESARIAS: LLAVE DE 10 MM Y LLAVE DE 19 MM.

Guía de inicio rápido

ENCENDIÉNDOLO

- 1 Agregue carbón vegetal al fogón y enciéndalo usando uno o dos arrancadores de fuego.
- 2 Deje el domo abierto por 10 minutos con el ducto inferior completamente abierto.
- 3 Cierre el domo.
- 4 Comience a cerrar los ductos superior e inferior cuando la temperatura del domo se encuentre dentro de 10°C de su objetivo.

MANTENIENDO LA TEMPERATURA

Para bajar la temperatura, reduzca el flujo de aire a través de la parrilla, cerrando los ductos. Por otro lado, eleve la temperatura abriendo los ductos. Los ajustes a los ductos no son inmediatos; deje que pasen 10 a 15 minutos para que un cambio en los ductos surta efecto. Ya que su Kamado Joe de cerámica retiene el calor tan bien, puede tardar un poco en calentarse por completo. Dele a su parrilla 20-40 minutos para estabilizar su temperatura antes de comenzar a cocinar.

ENFRIÁNDOLO

- 1 Cuando termine de cocinar, cierre completamente el ducto inferior.
- 2 Una vez que la temperatura caiga por debajo de los 200°C, cierre el ducto superior casi por completo, pero deje una pequeña rendija.
- 3 No cubra la parrilla hasta que el domo esté completamente frío al tacto.

PARA BAJAR LA TEMPERATURA, CIERRE LOS DUCTOS.

PARA SUBIR LA TEMPERATURA, ABRA LOS DUCTOS.

GUÍA RÁPIDA DE TEMPERATURA

Temperaturas aproximadas para las técnicas de cocción.

ASAR A LA PARRILLA 200-320°C

SELLAR 260-400°C

HORNEAR 150-400°C

BRASEAR 150-230°C

AHUMAR 100-140°C

PRECAUCIÓN

ERUCTAR

Cuando cocine por encima de los 175°C, abra cuidadosamente la parrilla (o deje que la parrilla "eructe") cada vez que levante su domo para evitar estallidos.

LÍQUIDOS

No derrame líquidos dentro o encima de la parrilla mientras esté caliente.

CHISPAS

Tenga cuidado con las chispas y cenizas cuando use la parrilla en una plataforma de madera.

DURANTE LA OPERACIÓN

No deje su parrilla desatendida con el domo abierto.

KAMADOJOE®

[KAMADOJOE.COM](https://www.kamadojoe.com)

[KAMADOJOE.COM/CONTACT](https://www.kamadojoe.com/contact)

[KAMADOJOE.COM/WARRANTY](https://www.kamadojoe.com/warranty)

[KAMADOJOE.COM/COLLECTIONS/PARTS](https://www.kamadojoe.com/collections/parts)

KAMADO JOE • 5032 MILGEN CT. • COLUMBUS, GA 31907

BIG JOE II BRUGERVEJLEDNING



KAMADOJOE®

9804200026 210511-GH

Indholdsfortegnelse

Advarsler	3
Liste med dele og nødvendige værktøjer	7
Instruktioner til grillopsætning	8
Monteringsvejledning	9
Sikkerhedsoplysninger	14
Rengøring og pleje	15
Justeringer af luftløfterhængsel	16
Hurtig startguide	18
Hurtig temperaturguide	19

Grillen leveres ikke med trækul.



ADVARSEL

- Denne manual indeholder vigtige oplysninger, der er nødvendige for korrekt montering og sikker brug af apparatet.
- Læs og følg alle advarsler og instruktioner, før du monterer og bruger apparatet.
- Opbevar denne manual til senere brug.



Manglende overholdelse af disse brugsanvisninger kan resultere i brand-, eksplosions- eller brandfare, hvilket kan forårsage skade på ejendommen, personskade eller dødsfald.



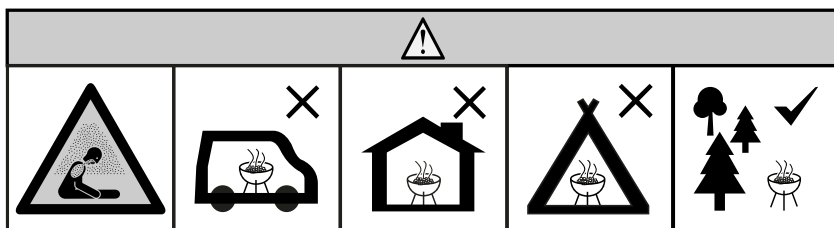
KULMONOXIDFARE

- Brændende trækul eller træflis afgiver kulilte, der ikke lugter og kan forårsage død.
- Brug kun udendørs, hvor det er godt udluftet.

⚠ ADVARSLER OG VIGTIGE SIKKERHEDSFORANSTALTNINGER

LÆS ALLE INSTRUKTIONER

- **ADVARSEL!** Denne grill bliver meget varm. Flyt den ikke under drift.
- **ADVARSEL!** Brug ikke indendørs!
- **ADVARSEL!** Brug ikke alkohol, benzin eller andre lignende væsker til at tænde eller tænde grillen igen.
- **ADVARSEL!** Hold børn og kæledyr væk fra apparatet altid. Tillad IKKE børn at bruge grillen. Det er nødvendigt at holde nøje tilsyn, når børn eller kæledyr er i det område, hvor grillen bruges.



- Brug ikke grillen i et lukket og / eller beboeligt rum f.eks. huse, telte, campingvogne, motorhuse, både. Dødsfare med kulilteforgiftning.
- Brug altid grillen i overensstemmelse med alle gældende lokale, statslige og føderale brandkoder.
- Før hver brug skal du kontrollere alle møtrikker, skruer og bolte for at sikre, at de er stramme og sikre.
- Brug aldrig grillen under en hovedkonstruktion, såsom tagbelægning, carport, markiser eller overhæng.
- Grillen er KUN TIL UDENDØRS BRUG.
- Hold mindst 3m afstand fra overbygninger, vægge, skinner eller andre strukturer.
- Hold mindst 3 m afstand fra alle brændbare materialer såsom træ, tørre planter, græs, børste, papir eller lærred.
- Brug aldrig grillen til andet end det, den er tilsigtet til. Denne grill er IKKE til kommerciel brug.
- Ekstraudstyr, der ikke leveres af Kamado Joe, anbefales IKKE og kan forårsage personskade.



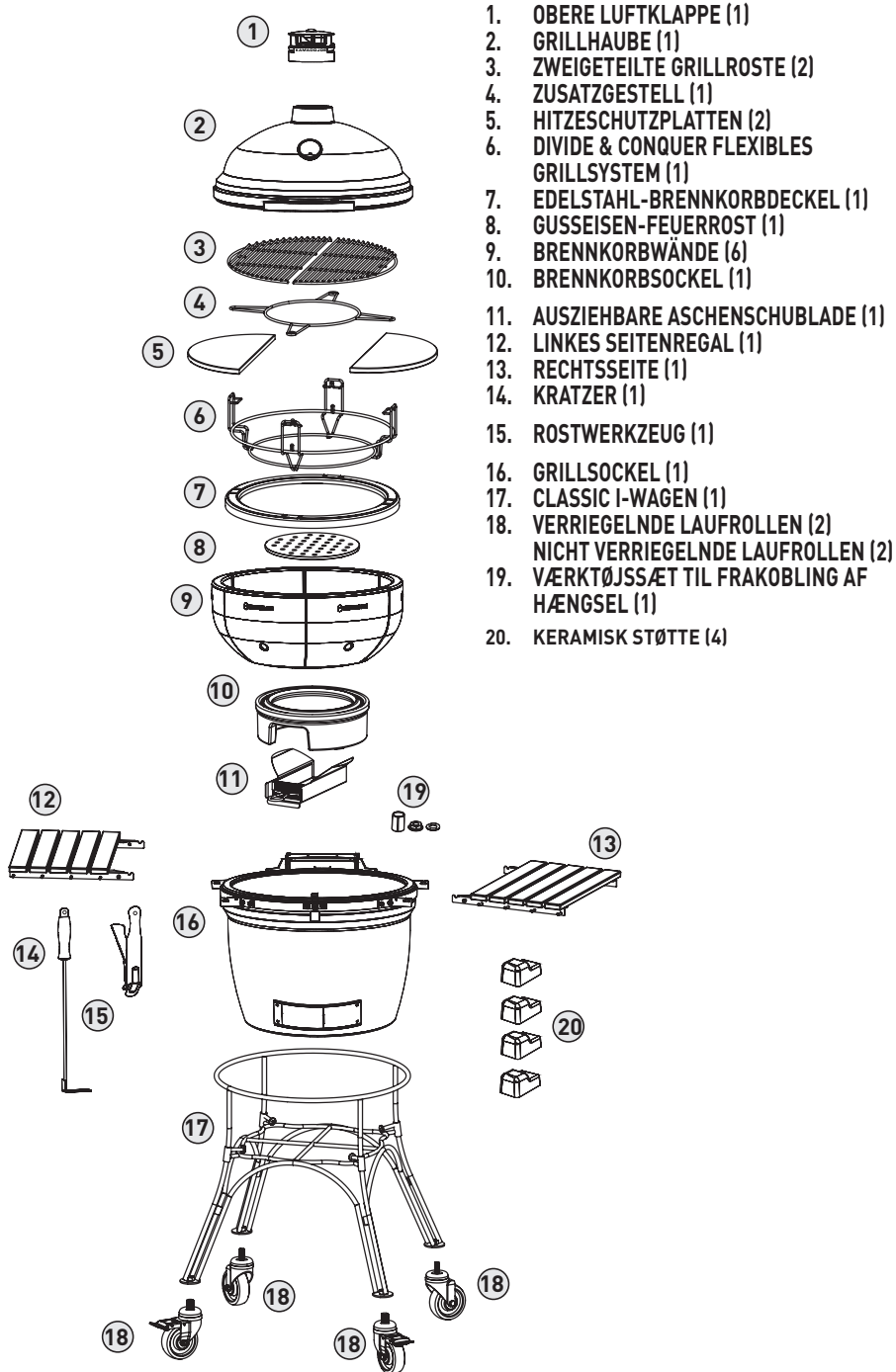
ADVARSLER OG VIGTIGE SIKKERHEDSFORANSTALTNINGER

- Brugen af alkohol, receptpligtige eller ikke-receptpligtige lægemidler kan skade brugerens evne til at samle eller sikkert betjene grillen.
- Hav altid et ildslukker tilgængeligt, mens du betjener grillen.
- Under madlavning med olie eller fedt, skal du have en type BC eller ABC brandslukker let tilgængelig.
- Hvis der opstår olie- eller fedtild skal du ikke forsøge at slukke med vand. Ring straks til brandvæsenet. En type BC eller ABC-ildslukker kan under nogle omstændigheder begrænse ilden.
- Brug grillen på en jævn, ikke-brændbar, stabil overflade som beton, mursten eller sten. En asfaltoverflade (blacktop) er muligvis ikke acceptabel til dette formål.
- Grillen SKAL stå på jorden. Anbring ikke grillen på borde eller skranker. Flyt IKKE grillen hen over ujævne overflader.
- Brug ikke grillen på træ eller brandfarlige overflader.
- Hold grillen klar og fri for brændbare materialer som benzin og andre antændelige dampe og væsker.
- Lad ikke grillen være uden opsyn.
- Tillad IKKE andre at udføre aktiviteter omkring grillen under eller efter dens anvendelse, før den er afkølet.
- Brug aldrig glas, plast eller keramisk køkkengrej til grillen. Anbring aldrig tomt køkkengrej i grillen, mens den er i brug.
- Flyt aldrig grillen, mens den er i brug. Lad grillen nedkøle helt (under 45°C) før den flyttes eller opbevares.
- Opbevar ikke grillen med varm aske eller trækul i. Opbevares kun, når ilden er helt slukket og alle overflader er kolde.
- Brug aldrig grillen som varmeapparat. LÆS OM KULMONOXIDFARER
- Grillen er VARM, mens den er i brug, og vil forblive VARM i en periode efter og under afkøling. Brug FORSIGTIG. Bær beskyttelseshandsker / luffer.
- Grillem må IKKE blive stødt eller modtage slag for at forhindre personlig skade, beskadigelse af grillen eller spild / sprøjt af varm madlavningsvæske. • Vær forsigtig, når du fjerner mad fra grillen. Alle overflader er VARME og kan forårsage forbrændinger. Brug beskyttelseshandsker / luffer eller lange, robuste kogeværktøjer til beskyttelse mod varme overflader eller sprøjt fra madlavningsvæsker.
- Rør ikke ved VARME overflader.

ADVARSLER OG VIGTIGE SIKKERHEDSFORANSTALTNINGER

- Grillen er VARM under brug. For at undgå forbrænding skal ansigt og krop holdes væk fra åbninger og når låget åbnes. Damp og varm luft udvises under brug.
- Når du koger på over 175°C, skal du forsigtigt åbne grillen (eller en sprænge i grillen), hver gang du løfter grillkuppen for at forhindre flashback - en bølge af hvid varm damp forårsaget af ilt. Dette forhindres, hvis du åbner låget delvis 2-3 tommer (5-8cm) og tillader varmen at undslippe i cirka 5 sekunder.
- Luftdæmpere er VARME, mens grillen er i brug og under afkøling. Brug beskyttelseshandsker, når du justerer.
- Grillen har åben ild. Hold hænder, hår og ansigt væk fra flammerne. Læn dig IKKE over grillen når du tænder den. Løst hår og tøj kan brande.
- Forhindre IKKE forbrænding og ventilation.
- Dæk ikke madstativer med metalfolie. Det vil fange varmen og kan forårsage skader på grillen.
- Lad aldrig VARM kul eller aske være uden opsyn.
- Brændstoffet skal opbevares varmt i mindst 30 minutter før brug.
- Begynd ikke madlavningen, før brændstoffet har en lag aske.
- Fjern ikke skuffen med aske mens aske og trækul er VARM.
- Brug beskyttelseshandsker ved håndtering af denne grill eller ved arbejde med ild. Brug beskyttelseshandsker eller lange, robuste værktøjer til at tilsætte træ eller trækul.
- Brug aldrig trækul tændingsvæske, benzin, alkohol eller andre stærke flygtige væsker til at antænde trækul. Disse væsker kan eksplodere og forårsage skade eller død.
- Den maksimale mængde kul til en Big Joe er 10 lbs. (4,5 kg). Overfyld aldrig med trækul. Dette kan medføre alvorlig skade såvel som beskadigelse af grillen.
- Fjern kold aske ved at lægge den i aluminiumsfolie, blødgøre med vand og kassere den i en ikke-brændbar beholder.
- SloRoller bør ikke bruges til temperaturer over 500°F (260 ° C)

GEM DISSE INSTRUKTIONER



1. OBERE LUFTKLAPPE (1)
2. GRILLHAUBE (1)
3. ZWEIFEILTE GRILLROSTE (2)
4. ZUSATZGESTELL (1)
5. HITZESCHUTZPLATTEN (2)
6. DIVIDE & CONQUER FLEXIBLES GRILLSYSTEM (1)
7. EDELSTAHL-BRENNKORBDECKEL (1)
8. GUSSEISEN-FEERROST (1)
9. BRENNKORBWÄNDE (6)
10. BRENNKORB SOCKEL (1)
11. AUSZIEHBARE ASCHENSCHUBLADE (1)
12. LINKES SEITENREGAL (1)
13. RECHTSSEITE (1)
14. KRATZER (1)
15. ROSTWERKZEUG (1)
16. GRILLSOCKEL (1)
17. CLASSIC I-WAGEN (1)
18. VERRIEGELNDE LAUFROLLEN (2)
19. NICHT VERRIEGELNDE LAUFROLLEN (2)
20. KERAMISK STØTTE (4)

Grillopsætning

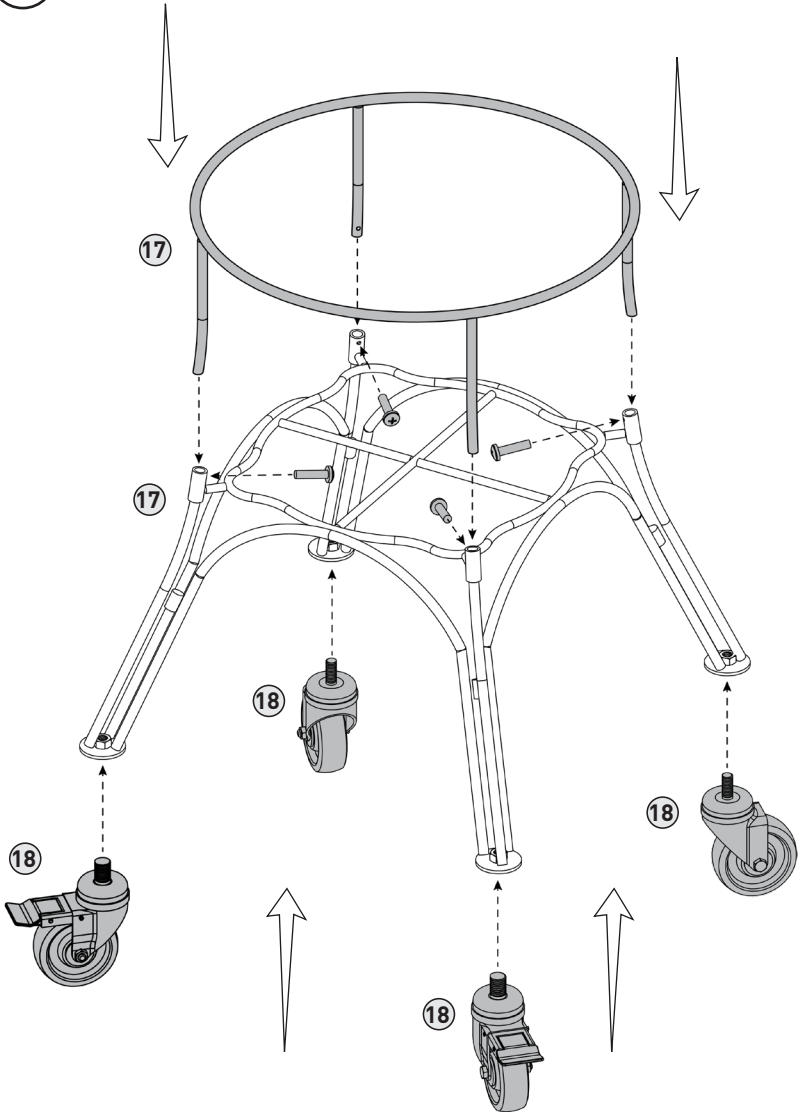
FJERNELSE AF GRILLEN FRA KASSEN

- 1 Skær plastbåndene og fjern top- og sidepanelerne på fragtbodyholderen.
- 2 Sæt grillvognen til side.
- 3 Åbn grillens låg og tag komponenterne ud af grillens inderside. Håndter de indre keramiske dele med omhu.

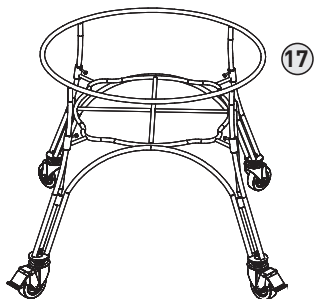
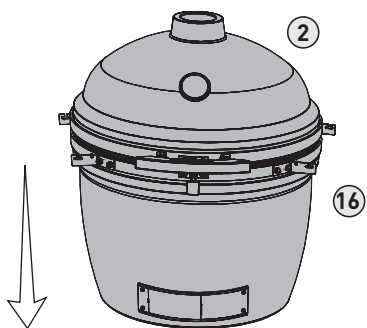
KAMADO JOE GRILL MED KURV

- 1 Når de indvendige komponenter i grillen er blevet fjernet, løft grillen ud af beholderen og sæt den til side. På grund af denne grills vægt anbefaler vi stærkt at to personer udfører denne opgave. Løft IKKE grillen ved at holde på hylderne. Brug det bageste hængselog den forreste nedre åbning som løftepunkter.
- 2 Saml grillvognen.
- 3 Med den samme løfteteknik, som tidligere, løftes grillen ind i vognen. Juster grillen i kurven, så den nederste grillventil vender mod forsiden af stativet. Forsiden af kurven er siden med de to låsehjul.

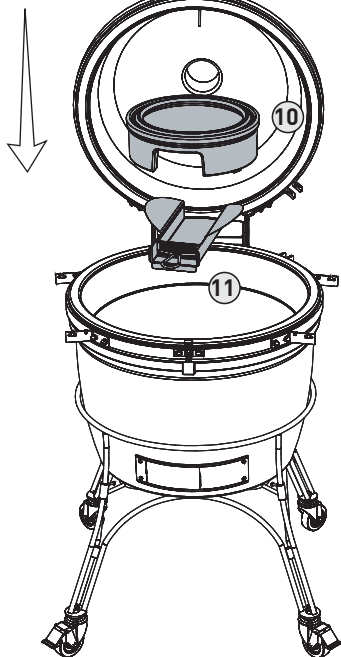
1



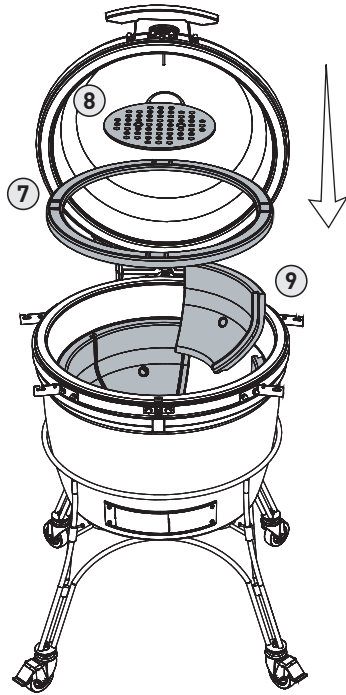
2



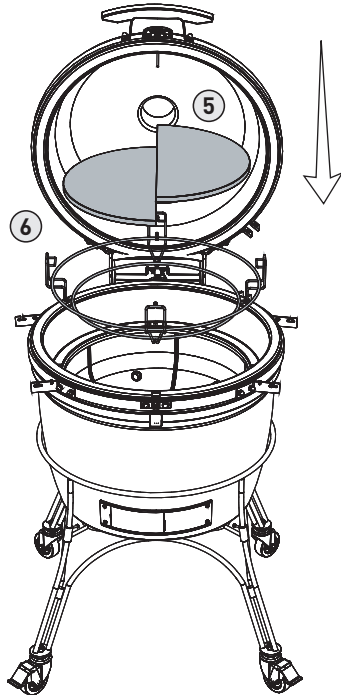
3



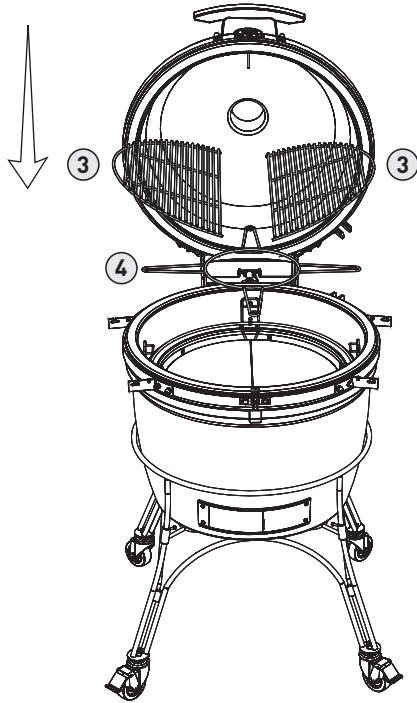
4



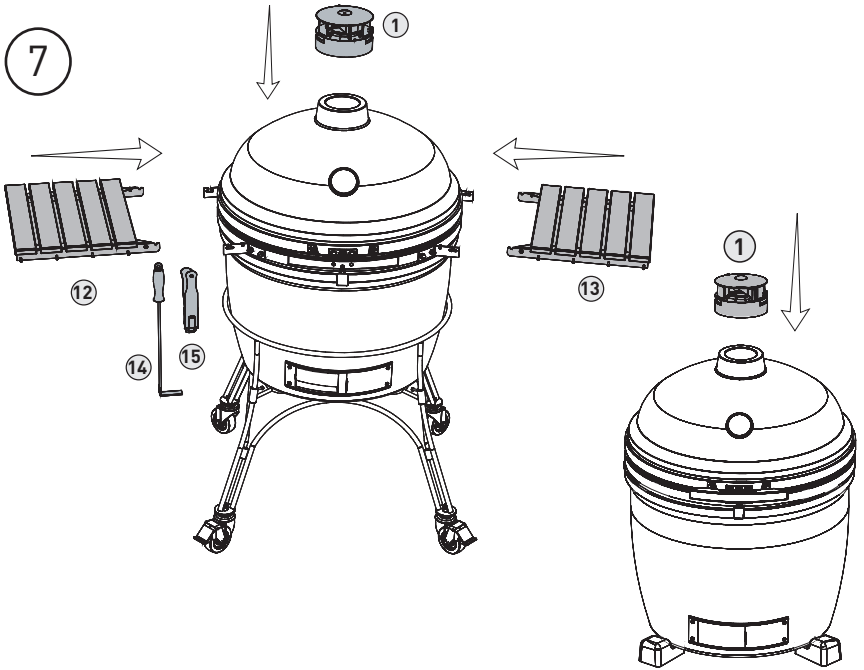
5



6

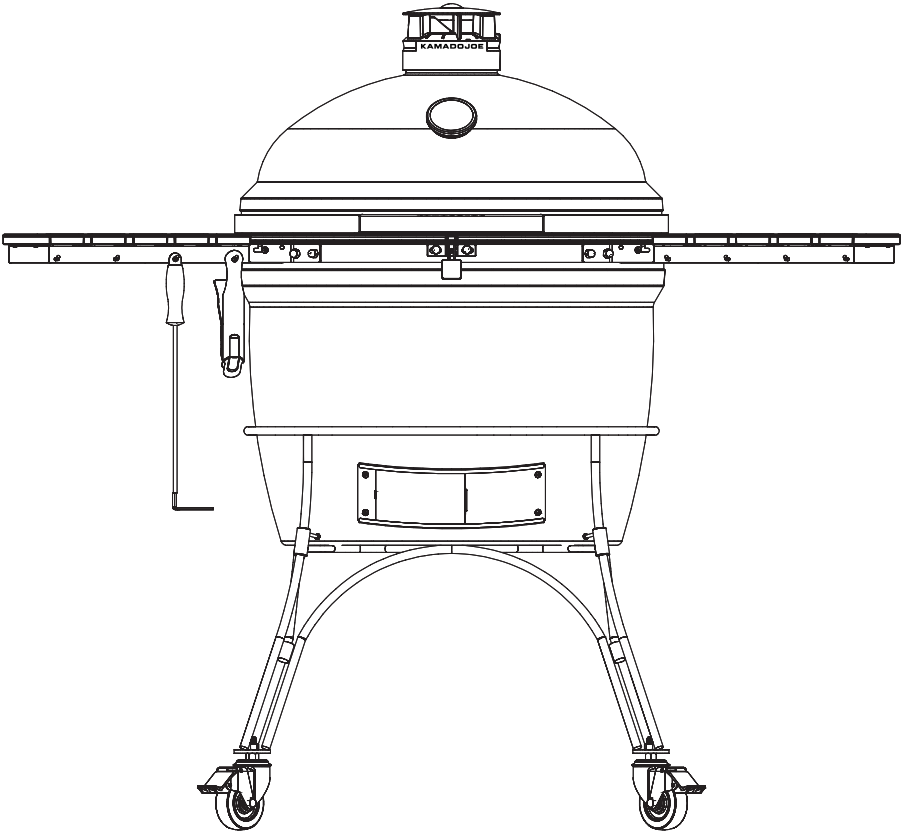


7



UAFHÆNGIG VERSION

8

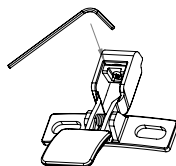
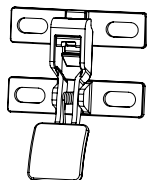


Justering af låse

Låsen på din Klassisk III er allerede forudindstillet til en ultra-tæt pakning. Brug disse instruktioner, hvis der er behov for justeringer.

KLASSISK III LÅS

Brug en lille unbrakonøgle til at stramme og løsne låsindstillingen. Justér indstillings-skruen for at sænke låsepladen, og tilføj afstandsstykket. Når afstandsstykket er tilføjet, skal du montere låsepladen igen ved at stramme indstillings-skruen.



Sikkerhedsoplysninger

FORSIGTIG

Hængsel og bånd er under høj spænding, hvis man ikke følger instruktionerne kan dette medføre alvorlig personskade.

HÆNGSEL

Forsøg ikke at adskille hængslet eller løsne bånd fra din grill uden hængslets værktøjssæt.

BEMÆRK: Værktøjssæt til hængsel (afstandsholder, skive og sekskantmøtrik er inkluderet) Opbevar disse dele, hvis hængslet skal fjernes senere. Hængslet kan ikke fjernes sikkert uden disse dele.



Brug bundfladen og den forreste nederste udluftningsåbning som løftepunkter (løft ikke grillen ved hængslet, båndbeslag eller håndtag, da dette kan forårsage, at kuppelen løsnes fra båndet).

Der skal kun foretages mindre justeringer af kuppelens vægt i henhold til instruktionerne på side 16.

PAKNING

Selvrensning gennem naturlig varmecyklus anbefales.

Brug ikke kemisk baserede rengøringsmidler på pakningen.

Tør forsigtigt spild eller fugt af, hvis det er nødvendigt. Skrub ikke eller slib ikke pakningen under rengøring. Overdreven gnidning kan forårsage slid.

Rengøring og pleje

Din Kamado Joe grill er fabrikeret af kvalitetsmaterialer, så generel pleje og vedligeholdelse er minimal. Den bedste måde at beskytte din Kamado Joe på mod elementer er med et grilldæksel.

Let revnet porcelæn kaldet krakelering er en del af den naturlige karakteristik.

SELVRENSNING

- 1 Tilsæt kul og tænd den.
- 2 Monter Divide og Conquer® fleksibelt madlavningstativ i øverste position og begge varmeafvisere på tilbehørsstativet.
- 3 Åbn de øverste og nederste luftventiler helt, og lad temperaturen inde i grillen stige til 315°C med låget lukket.
- 4 Hold temperaturen ved ca. 315°C i 15-20 minutter.
- 5 Luk bundventilen helt og vent yderligere 15-20 minutter inden du lukker topventilen.

Denne proces vil brænde enhver uønsket rest fra indersiden af din grill. Før du laver mad igen, børst grillen med en standard grillbørst. Brug en blød børste på keramik delen for at fjerne rester. Dine varmeafledningsplader skal også være fri for brændte rester efter denne proces. Børst dem med en blød børste efter rengøring. Når din varmeafviser bliver snavset under normal brug, skal du vende den snavsede side ned ad til den næste madlavning, og varmen fra ilden vil selv rengøre den side af varmeafviserpladen.

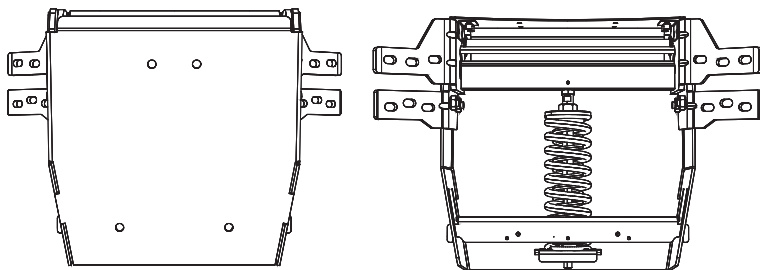
En eller to gange om året skal du foretage en mere grundig rengøring af indersiden af grillen. Fjern de indre komponenter, og fjern eventuel resterende aske eller snavs, der er samlet mellem grilllegemet og de indre komponenter. Brug en plastik børste til at rengøre den indvendige keramiske overflade og fjern eller støvsuge affald fra bunden af grillen, inden du udskifter de interne komponenter.

Big Joe Løftehængselsjusteringer

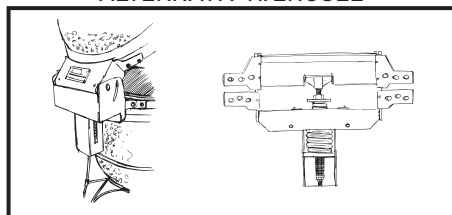
Løftehængselsjusteringer på din Kamado Joe Big Joe er allerede forudjusteret for optimal balance og stabilitet. Følg disse instruktioner for yderligere justeringer, der passer til dine personlige præferencer.

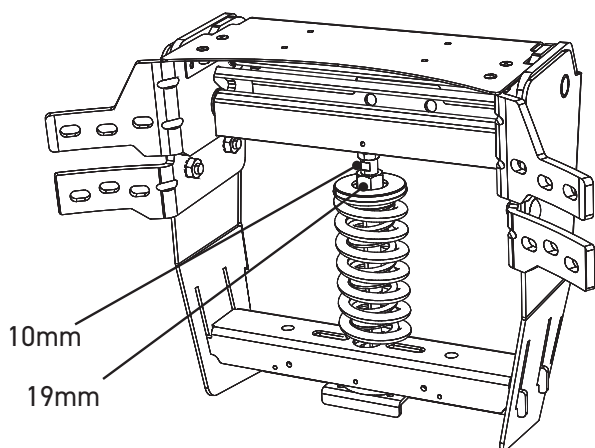
Forsigtig Løftehængsel under højspænding.

- 1 Åbn låget på din Kamado Joe Big Joe grill.
- 2 Når låget er åbent, skal du sætte den 10 mm skruenøgle på pladen på skruen (se Indtastning 1).
- 3 Placer 9/16 tommer skruenøglen på møtrikken oven på fjederholderen (se Indtastning 1).
- 4 For at det er lettere at løfte låget, hold 10 mm nøglen fast og drej 9/16 tommer skruenøglen med uret som vist. Fjern skruenøglerne og kontroller lågets tilstand for hver fuld rotation af møtrikken. Hvis du vil have at låget skal være tungere, drej møtrikken mod uret. Fjern skruenøglerne og kontroller lågets tilstand for hver fuld rotation af møtrikken. Juster ikke møtrikken, så den kommer i kontakt med stikket (se Indtastning 1).

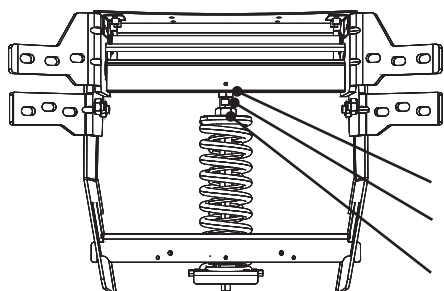
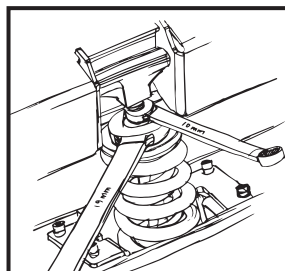


ALTERNATIV HÆNGSEL





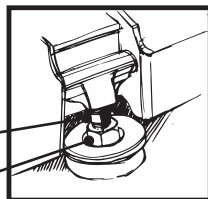
ALTERNATIV HÆNGSEL



Indtastning 1

- Møtrik under stik
- Plader på skruen
- Justeringsmøtrik på fjederholder

ALTERNATIV HÆNGSEL



NØDVENDIGT VÆRKTØJ: 10 MM ÅBEN SKRUENØGLE OG 19 MM ÅBEN SKRUENØGLE.

Hurtig Startguide

AT TÆNDE

- 1 Tilsæt kul til brændeovnen og tænd ved hjælp af en eller to brandstartere.
- 2 Lad låget være åbnet i 10 minutter med bundventilen helt åben.
- 3 Luk låget.
- 4 Begynd at lukke topventilen og bundventilen, når lågets temperatur er inden for 10°C fra dit mål.

OPRETHOLDELSE AF TEMPERATUR

For at sænke temperaturen skal du reducere luftstrømmen gennem grillen ved at lukke ventilerne. Omvendt, hæv temperaturen ved at åbne ventilerne. Justeringer af ventilationsåbningerne er ikke umiddelbart - vent 10-15 minutter før ændringen i ventilen træder i kraft. Din keramiske Kamado Joe holder på varmen så godt, så det kan det tage lidt tid at varme den helt op. Giv din grill 20-40 minutter til en time til at stabilisere temperaturen, inden du begynder at lave mad.

NEDKØLING

- 1 Når du er færdig med madlavningen, skal du lukke bundventilen helt.
- 2 Når temperaturen er under 205°C, skal du lukke topventilen næsten helt, men lad en lille revne være åben.
- 3 Dæk ikke grillen, før låget er koldt ved berøring.

**FOR AT SÆNKE TEMPERATUREN SKAL VENTILERNE LUKKES.
FOR AT ØGE TEMPERATUREN SKAL VENTILERNE ÅBNES.**

HURTIG TEMPERATURGUIDE

Ca. temperaturer til madlavningsteknikker.

GRILLE	205–315°C
RISTE	260–400°C
BAGE	150–400°C
STEGE	150–230°C
RYGE	105–135°C

FORSIGTIG

LUFT

Når du laver mad på over 175°C, skal du forsigtigt åbne grillen (eller udluft grillen) hver gang du løfter grilllåget for at forhindre flashback.

VÆSKER

Spild ikke væsker inde eller på grillen, mens den er varm.

GNISTER

Vær opmærksom på gnister og gløder, når du bruger grillen på et trædæk.

UNDER BRUG

Lad ikke grillen stå uden opsyn med grilllåget åben.

KAMADOJOE®

**KAMADOJOE.COM
KAMADOJOE.COM/KONTAKT
KAMADOJOE.COM/GARANTI
KAMADOJOE.COM/SAMLINGER/DELE**

KAMADO JOE • 5032 MILGEN CT. • COLUMBUS, GA 31907

BIG JOE II: HANDLEIDING



KAMADOJOE®

9804200026 210511-GH


Inhoudsopgave

Waarschuwingen	3
Onderdelenlijst en vereist gereedschap	7
Instructies voor installatie van de grill	8
Montage-instructies	9
Veiligheidsinformatie	14
Reinigen en onderhoud	15
Aanpassingen aan scharnier	16
Snel aan de slag	18
Beknopte temperatuurgids	19

Grill wordt niet geleverd met houtskool.

WAARSCHUWING

- Deze handleiding bevat belangrijke informatie die u nodig hebt voor de juiste montage en het veilig gebruik van het apparaat.
- Lees en volg alle waarschuwingen en instructies, voordat u het apparaat monteert en gebruikt.
- Bewaar deze handleiding voor later gebruik.

 **Deze instructies niet opvolgen kan leiden tot brand, ontploffing of gevaar voor brandwonden en tot zaakschade, letsel of overlijden.**

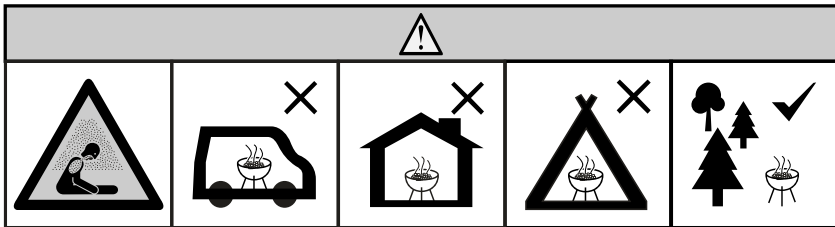
KOOLSTOFMONOXIDEGEVAAR

- Bij het verbranden van houtskool of houtsnippers komt koolstofmonoxide vrij. Deze stof is reukloos en kan de dood veroorzaken.
- Uitsluitend buiten gebruiken in een goed verluchte omgeving.

WAARSCHUWINGEN EN BELANGRIJKE BEVEILIGINGEN

LEES ALLE INSTRUCTIES.

- **WAARSCHUWING!** Deze barbecue zal zeer warm worden. Verplaats het apparaat niet tijdens de werking.
- **WAARSCHUWING!** Niet voor gebruik binnenshuis!
- **WAARSCHUWING!** Gebruik geen alcohol, benzine of vergelijkbare vloeistof om de barbecue aan te steken of opnieuw aan te steken.
- **WAARSCHUWING!** Kinderen en huisdieren altijd van de grill vandaan houden. Sta NIET toe dat kinderen de grill gebruiken. Van nabij toezicht houden als de grill wordt gebruikt met kinderen of huisdieren in de nabijheid.



- De barbecue niet gebruiken in een gesloten en/of bewoonde ruimte, zoals een huis, tent, caravan, motorhome of boot. Doodsgevaar door koolstofmonoxidevergiftiging.
- De grill altijd gebruiken conform alle van toepassing zijnde plaatselijke en nationale brandcodes.
- Vóór elk gebruik moet u controleren of alle moeren, schroeven en bouten stevig vastgeschroefd zijn.
- De grill nooit gebruiken onder een overhangende constructie, zoals een dak, carport, luifel of overstek.
- De grill is UITSLUITEND voor GEBRUIK BUITENSHUIS.
- Houd een afstand van ten minste 3 m van een overhangende constructie, muur, rail of andere constructie.
- Houd ten minste 3 m vrije ruimte van brandbaar materiaal, zoals hout, een houten dek, droge planten, gras, borstels, papier of doeken.
- De grill nooit gebruiken voor iets anders dan het beoogd gebruik. Deze grill is NIET voor commercieel gebruik.
- Toebehoren die niet geleverd zijn door Kamado Joe, zijn NIET aanbevolen en kunnen letsel veroorzaken.



WAARSCHUWINGEN EN BELANGRIJKE BEVEILIGINGEN

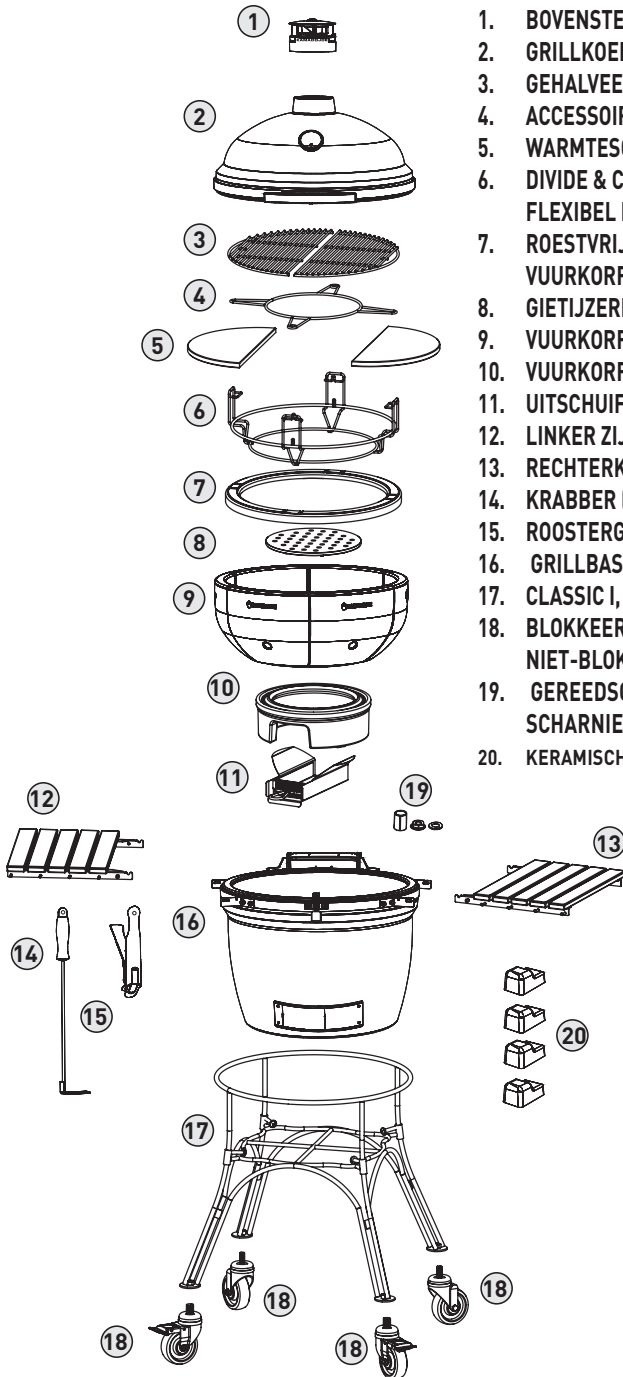
- Alcohol en geneesmiddelen, al dan niet vrij verkrijgbaar, kunnen het vermogen van de gebruiker beperken om de grill correct te monteren of veilig te gebruiken.
- Houd een brandblusser bij de hand als u aan het grillen bent.
- Als u met olie of vet kookt, moet u een BC-blusser of ABC-blusser bij de hand hebben.
- Een olie- of vetbrand niet blussen met water. Onmiddellijk de brandweer bellen. Een BC-blusser of ABC-blusser kan in bepaalde omstandigheden het vuur onder controle houden.
- De grill gebruiken op een vlak, niet-brandbaar, stabiel oppervlak, zoals grond, beton, baksteen of rots. Asphalt kan voor dit doel niet aanvaardbaar zijn.
- De grill MOET op de grond staan. De grill niet op een tafel of aanrecht plaatsen. De grill NIET verplaatsen over niet-vlakke oppervlakten.
- De grill niet gebruiken op een houten of brandbaar oppervlak.
- De grill vrijhouden van brandbaar materiaal, zoals benzine en andere brandbare dampen en vloeistoffen.
- De grill niet onbewaakt achterlaten.
- NIET toestaan dat iemand activiteiten uitvoert rond de grill tijdens of na het gebruik ervan, voordat de grill afgekoeld is.
- Nooit kookgerei van glas, kunststof of keramiek gebruiken in de grill. Nooit leeg kookgerei in de grill plaatsen tijdens het gebruik ervan.
- De grill nooit verplaatsen wanneer in gebruik. Laat de grill helemaal afkoelen (tot onder 45 °C), voordat u de grill verplaatst of opbergt.
- De grill niet opbergen met hete as of houtskool erin. Uitsluitend opbergen nadat het vuur helemaal gedoofd is en alle oppervlakken koud zijn.
- De grill nooit gebruiken als verwarmers. LEES OVER KOOLSTOFMONOXIDEGEVAAR.
- De grill is HEET tijdens het gebruik en blijft HEET gedurende een bepaalde tijd erna en tijdens het afkoelen. Wees VOORZICHTIG. Draag beschermende handschoenen of ovenwanten.
- De grill NIET aanstoten of ertegen schoppen om letsel, schade aan de grill of gemors of spatten van hete bakvloeistof te voorkomen.
- Wees voorzichtig als u voedsel van de grill neemt. Alle oppervlakken zijn HEET en kunnen brandwonden veroorzaken. Gebruik beschermende handschoenen of ovenwanten en kookgerei met een lange, stevige steel als bescherming tegen warme oppervlakken of spatten van kookvloeistoffen.
- Geen HETE oppervlakken aanraken.



WAARSCHUWINGEN EN BELANGRIJKE BEVEILIGINGEN

- De grill is HEET tijdens het gebruik. Om brandwonden te voorkomen, het gezicht en lichaam van de luchtgaten vandaan houden en ook afwenden als u het deksel opent. Tijdens het gebruik komt er stoom en warme lucht vrij.
- Als u kookt op een temperatuur boven 175 °C, moet u de grill voorzichtig openen (laten 'boeren' of beetje bij beetje openen), telkens als u de koepel van de grill opent, om een steekvlam te voorkomen. Een steekvlam is een stoot van witgloeiende warmte veroorzaakt door een toevloed van zuurstof. Open het deksel een beetje, 5 à 8 cm, en laat de warmte gedurende ongeveer 5 seconden ontsnappen om dit te voorkomen.
- Luchtkleppen zijn HEET tijdens het gebruik van de grill en tijdens het afkoelen. Draag beschermende handschoenen tijdens het bijstellen.
- De grill heeft open vuur. Houd de handen, het haar en het gezicht van de vlam vandaan. NIET over de grill leunen tijdens het aansteken. Los haar en losse kleding kunnen vuur vatten.
- De verbandings- en verluchtingsstroom NIET hinderen.
- De bakrekken niet bedekken met aluminiumfolie. Hierdoor wordt de warmte gevangen en kan de grill worden beschadigd.
- Nooit HETE kolen of as onbewaakt achterlaten.
- De brandstof gloeiend houden gedurende ten minste 30 minuten vóór gebruik.
- Niet bakken voordat de brandstof met een laag as bedekt is.
- De aslade niet verwijderen als de as en houtskool HEET zijn.
- Draag beschermende handschoenen bij het hanteren van deze grill of het werken met vuur. Draag beschermende handschoenen of gebruik stevig gereedschap met een lange steel als u hout of houtskool toevoegt.
- Geen aanmaakvloeistof, benzine, alcohol of andere, zeer vluchtige vloeistoffen gebruiken om houtskool te doen branden. Deze vloeistoffen kunnen ontploffen en letsel of de dood veroorzaken.
- De maximale hoeveelheid houtskool voor de Big Joe is 4,5 kg. De houtskoolrooster niet overladen. Dit kan ernstig letsel en schade aan de grill veroorzaken.
- Koude as weggooiën in aluminiumfolie, in water gedrenkt, in een niet-brandbare afvalton.
- SloRoller niet gebruiken voor een temperatuur boven 260 °C.

BEWAAR DEZE INSTRUCTIES.



1. BOVENSTE LUCHTGAT (1)
2. GRILLKOEPEL (1)
3. GEHALVEERDE BAKROOSTERS (2)
4. ACCESSOIRE REK (1)
5. WARMTESCHILDEN (2)
6. DIVIDE & CONQUER, VERDEEL EN HEERS: FLEXIBEL BAKSYSTEEM (1)
7. ROESTVRIJSTAAL BEDEKING VAN VUURKORF (1)
8. GIETIJZEREN ROOSTER (1)
9. VUURKORFWANDEN (6)
10. VUURKORFBASIS (1)
11. UITSCHUIFBARE ASLADE (1)
12. LINKER ZIJPLANK (1)
13. RECHTERKANT (1)
14. KRABBER (1)
15. ROOSTERGEDEI (1)
16. GRILLBASIS (1)
17. CLASSIC I, KAR (1)
18. BLOKKEERBARE ZWENKWIELTJES (2)
NIET-BLOKKEERBARE ZWENKWIELTJES (2)
19. GEREEDSCHAPSKIT VOOR LOSMAKEN VAN SCHARNIER (1)
20. KERAMISCHE VOETEN (4)

Grill monteren

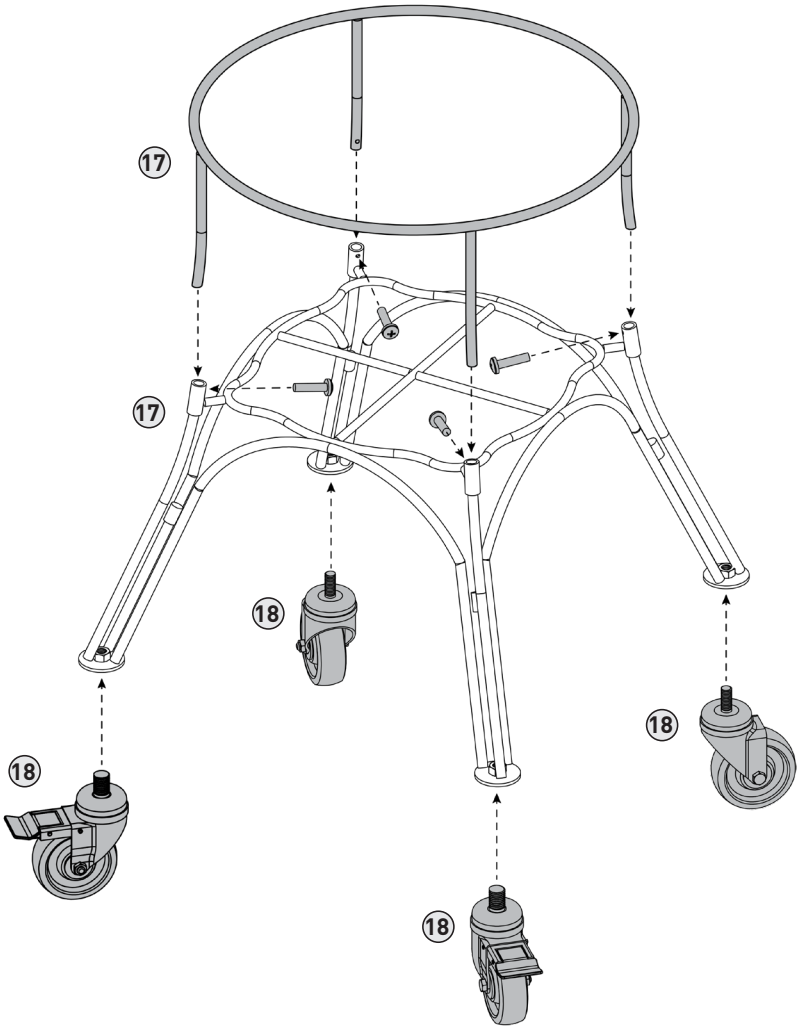
UW GRILL UITPAKKEN

- 1** Knip de banden uit kunststof open en haal boven- en zijpanelen uit de verpakking.
- 2** Plaats de grillkardoos opzij.
- 3** Open de koepel van de grill en verwijder de onderdelen uit de binnenkant van de grill. Hanteer de interne keramische onderdelen voorzichtig.

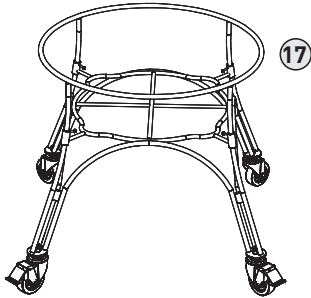
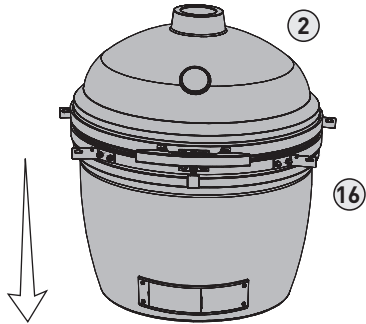
KAMADO JOE-GRILL MET KAR

- 1** Als de interne onderdelen van de grill verwijderd zijn, tilt u de grill uit de verpakking. Plaats aan de kant. Deze grill is zwaar. Wij bevelen daarom aan dat twee mensen deze taak voltooien. De grill NIET optillen aan de lipjes van de zijlade. Gebruik het achterste scharnier en het luchtgat vooraan aan de onderkant om op te tillen.
- 2** Monteer de grillkar.
- 3** Gebruik dezelfde tiltechniek als voordien om de grill in de kar te tillen. Stel de grill bij in de kar; het onderste luchtgat van de grill moet naar de voorkant van de kar gericht zijn. De voorkant van de kar is de kant met de twee blokkeerbare wielletjes.

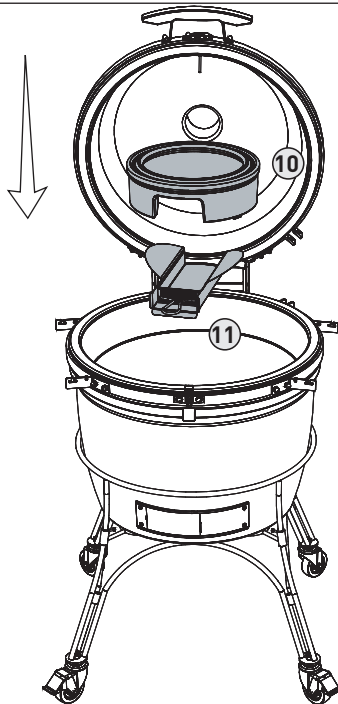
1



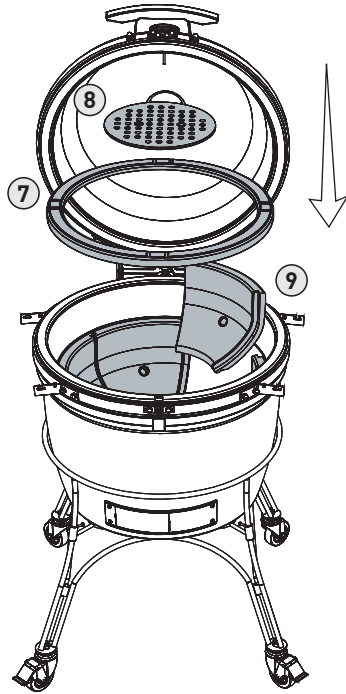
2



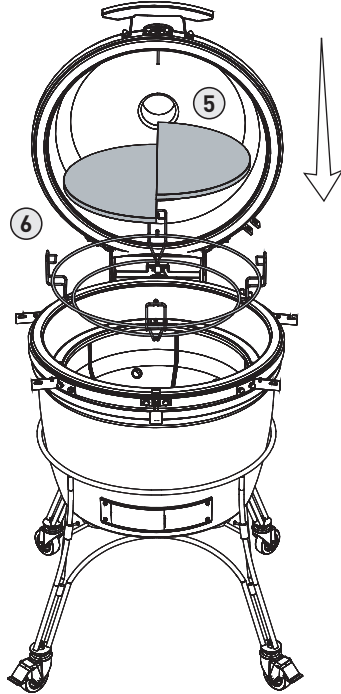
3



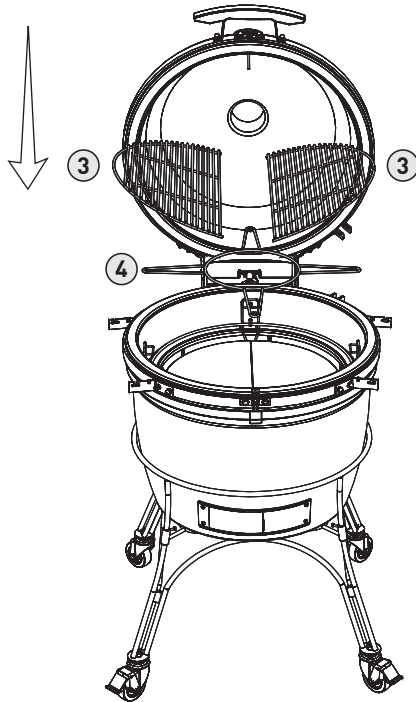
4



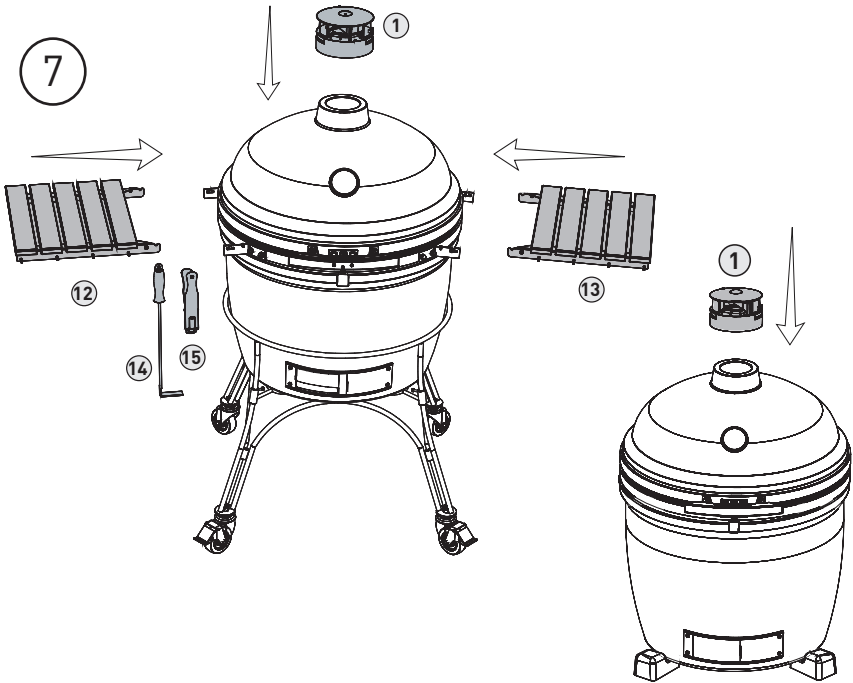
5



6

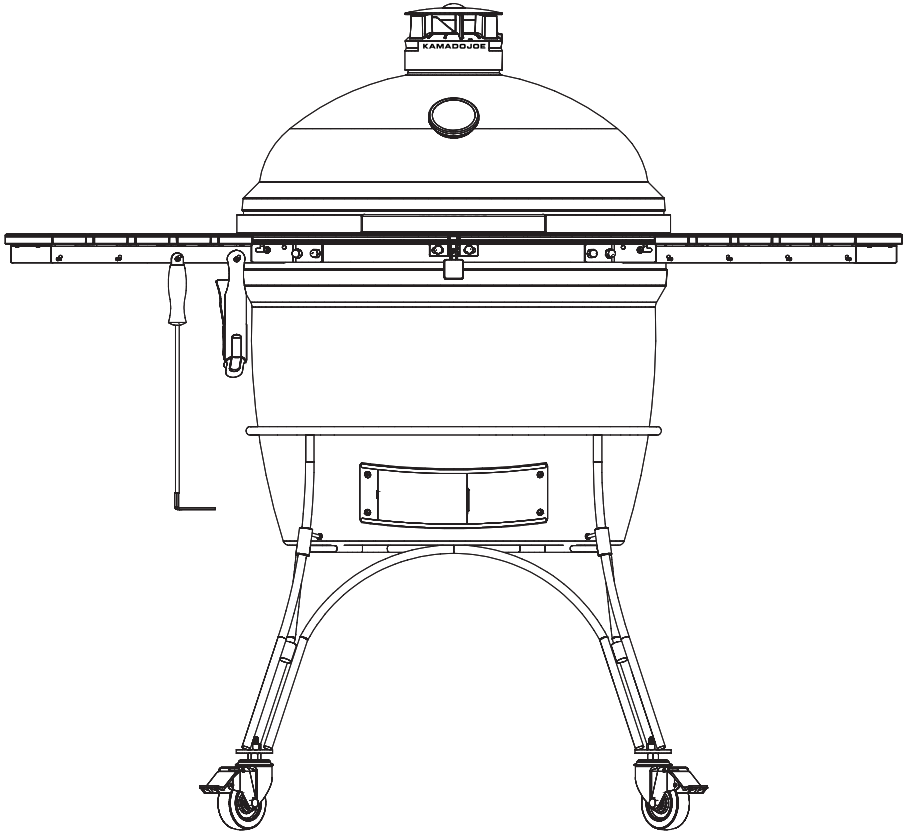


7



ONAFHANKELIJKE VERSIE

8

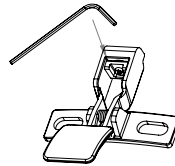
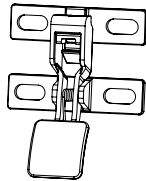


Aanpassingen aan veerslot

Het veerslot aan uw Classic III is vooraf ingesteld voor ultravaste vergrendeling. Gebruik deze instructies als u het slot moet aanpassen.

VEERSLOT VAN CLASSIC III

Gebruik een kleine inbusleutel om het veerslot vaster of losser in te stellen. Stel de aanzetschroef bij om de veerslotplaat te verlagen en de afstandshouder toe te voegen. Als de afstandshouder geplaatst is, installeert u de veerslotplaat terug door de aanzetschroef vaster aan te draaien.



Veiligheidsinformatie

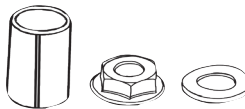
OPGELET

Scharnier en band staan onder hoge druk. De instructiestappen niet in de juiste volgorde uitvoeren kan leiden tot ernstig letsel.

SCHARNIER

Het scharnier niet demonteren en de banden niet losmaken van de grill zonder gebruik van de gereedschapskit voor losmaking van het scharnier.

NB: De gereedschapskit voor losmaking van het scharnier (afstandshouder, sluitring en zeskantmoer) wordt meegeleverd. Bewaar deze onderdelen voor het geval u het scharnier later moet verwijderen. U kunt het scharnier niet veilig verwijderen zonder deze onderdelen.



Gebruik de luchtuitstroomopening aan de voorkant en het onderste luchtgat vooraan om op te tillen. (De grill niet tillen aan het scharnier, de bandbeugels of de handgreep, aangezien de koepel dan kan loskomen van de band).

Het gewicht van de koepel mag slechts zeer weinig worden bijgesteld. Volg daarvoor de instructies op pagina 16.

DICHTING

Zelfreiniging via een natuurlijke warmtecyclus is aanbevolen. Gebruik geen chemische reinigingsmiddelen op de dichting.

Indien absoluut nodig, wrijft u gemorste stof of vocht voorzichtig af. De dichting niet schuren of schaven om schoon te maken. Buitenmatig wrijven kan leiden tot slijtage.

Reinigen en onderhoud

Uw Kamado Joe-grill is gemaakt van kwalitatief materiaal. Algemeen onderhoud is dus minimaal. De beste bescherming van uw Kamado Joe tegen de elementen is de hoes van de grill.

Craquelé, kleine barsten in porselein, is een natuurlijk kenmerk van het materiaal.

ZELFREINIGEND

- 1 Vul met houtskool en steek aan.
- 2 Plaats het rek van Divide & Conquer® , het flexibele baksysteem, met het accessoirek in de bovenste stand en beide warmteschilden op het accessoirek.
- 3 Open het bovenste en onderste luchtgat helemaal en laat de temperatuur in de grill stijgen tot 315 °C met de koepel gesloten.
- 4 Houd de temperatuur op ongeveer 315 °C gedurende 15 à 20 minuten.
- 5 Sluit het onderste luchtgat helemaal en wacht nog eens 15 à 20 minuten voordat u het bovenste luchtgat sluit.

Hierdoor worden alle ongewenste resten uitgebrand uit de binnenkant van uw grill. Voordat u opnieuw bakt, borstelt u de bakrooster af met een gewone grillborstel. Gebruik een borstel met zacht haar om resten van de keramiek te verwijderen. Ook op de warmteschildplaten mogen geen verbrande resten achterblijven na dit proces. Borstel ze af met een zachte borstel na het reinigen. Als de warmteschilden vuil worden tijdens gewoon gebruik, draai ze dan om met de vuile kant naar onder voor de volgende bakbeurt voor zelfreiniging van die kant van de warmteschildplaat.

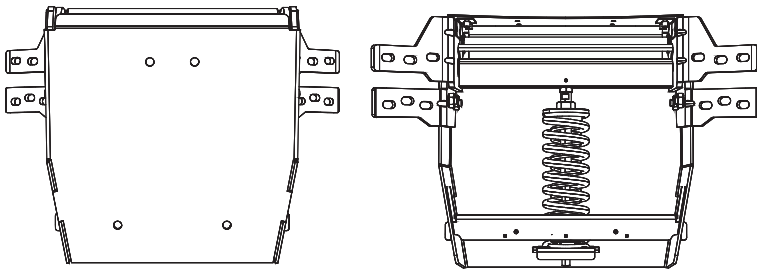
Reinig de binnenkant van de grill één of twee keer per jaar grondiger. Verwijder de interne onderdelen. Verwijder alle achtergebleven as of afval tussen de grill en de interne onderdelen. Gebruik een borstel met haar van kunststof om de keramische binnenkant schoon te maken. Schep of zuig afval op van de onderkant van de grill, voordat u de interne onderdelen terugplaatst.

Aanpassingen aan Big Joe Air Lift Hinge, het scharnier dat het optillen verlicht

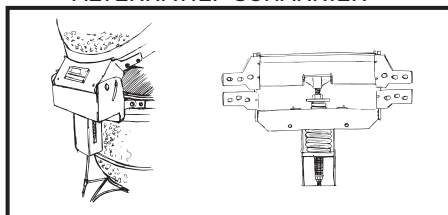
Air Lift Hinge, het scharnier aan uw Kamado Joe Big Joe, is vooraf ingesteld voor ideale balans en stabiliteit. Volg deze instructies voor eventuele bijkomende aanpassingen aan uw persoonlijke voorkeur.

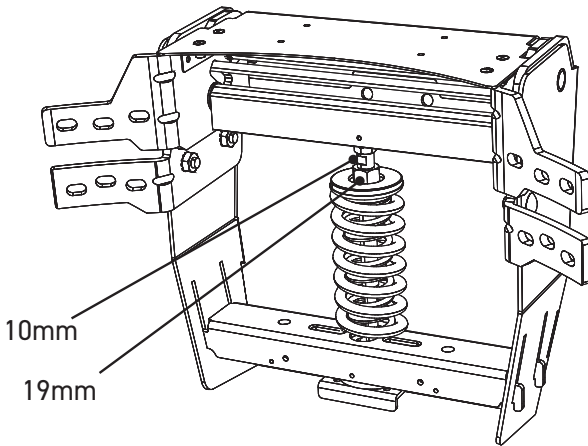
Let op: Air Lift Hinge staat onder hoge spanning.

- 1 Open de koepel van uw Kamado Joe Big Joe-grill.
- 2 Met de koepel open plaatst u de 10 mm moersleutel op de platte kanten op de schroef (zie inzet 1).
- 3 Plaats de 19 mm moersleutel op de moer aan de bovenkant van de veerschotel (zie inzet 1).
- 4 Om het gemakkelijker te maken om de koepel te verhogen, houdt u de 10 mm moersleutel stil en draait u de 19 mm moersleutel naar rechts, zoals getoond. Verwijder de sleutels. Controleer wat de koepel doet, telkens als u de moer een hele slag draait. Als u wilt dat de koepel zwaarder aanvoelt, draait u de moer naar links. Verwijder de sleutels. Controleer wat de koepel doet, telkens als u de moer een hele slag draait. Stel de moer niet zo bij dat hij de aansluiting raakt (zie inzet 1).

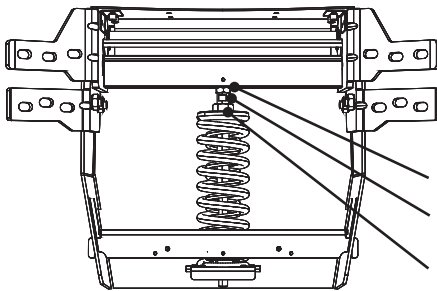
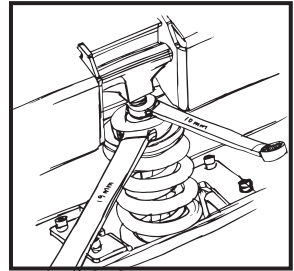


ALTERNATIEF SCHARNIER





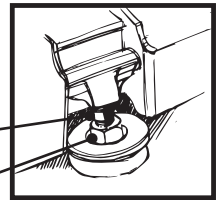
ALTERNATIEF SCHARNIER



Inzet 1

- Moer onder aansluiting
- Platte kanten op schroef
- Stelmoer aan veerschotel

ALTERNATIEF SCHARNIER



BENODIGD GEREEDSCHAP: 10 MM VLAKE OPEN SLEUTEL EN 19 MM VLAKE OPEN SLEUTEL.

Snel aan de slag

OPSTARTEN

- 1 Vul de vuurkorf met houtskool en steek aan met één of twee aanmaakblokjes.
- 2 Laat de koepel open gedurende 10 minuten met het onderste luchtgat helemaal open.
- 3 Sluit de koepel.
- 4 Begin het bovenste en onderste luchtgat te sluiten als de temperatuur in de koepel 10 °C lager is dan de gewenste temperatuur.

TEMPERATUUR BEHOUDEN

Om de temperatuur te verlagen, vermindert u de luchtstroom doorheen de grill door de luchtgaten te sluiten. Verhoog de temperatuur door de luchtgaten te openen. De luchtgaten bijstellen werkt niet onmiddellijk; wacht 10 à 15 minuten voordat een verandering aan een luchtgat effect heeft. Omdat de keramische Kamado Joe de warmte zo goed behoudt, kan het even duren voordat de grill helemaal opwarmt. Geef uw grill 20 à 40 minuten de tijd om de temperatuur stabiel te houden, voordat u begint te bakken.

AFKOELEN

- 1 Na het bakken sluit u het onderste luchtgat helemaal.
- 2 Als de temperatuur lager wordt dan 205 °C, sluit u het bovenste luchtgat helemaal. Laat een spleetje open.
- 3 Bedek de grill niet, voordat de koepel koud genoeg is om aan te raken.

SLUIT DE LUCHTGATEN OM DE TEMPERATUUR TE VERLAGEN.

OPEN DE LUCHTGATEN OM DE TEMPERATUUR TE VERHOGEN.

BEKNOPTE TEMPERATUURGIDS

Benaderde temperatuur voor baktechnieken

GRILLEN	205-315 °C
SCHROEIEN	260-400 °C
BAKKEN	150-400 °C
ROOSTEREN	150-230 °C
ROKEN	105-135 °C

OPGELET

BOEREN (BEETJE BIJ BEETJE OPENEN)

Als u kookt op een temperatuur boven 175 °C, moet u de grill voorzichtig openen (laten boeren of beetje bij beetje openen), telkens als u de koepel van de grill opent, om een steekvlam te voorkomen.

VLOEISTOFFEN

Mors geen vloeistof in of op de warme grill.

VONKEN

Let goed op vonken en sintels als u de grill gebruikt op een houten vloer.

TIJDENS DE WERKING

Laat de grill niet onbewaakt achter met de koepel open.

KAMADOJOE®

KAMADOJOE.COM

KAMADOJOE.COM/CONTACT

KAMADOJOE.COM/WARRANTY

MASTERBUILT.COM/COLLECTIONS/PARTS

KAMADO JOE • 5032 MILGEN CT. • COLUMBUS, GA 31907

BIG JOE II OMISTAJAN OPAS



KAMADOJOE®

9804200026 210511-GH

Sisältö

Varoitukset	3
Grillin Osat & Tarvittavat Työkalut	7
Grillin Asennusohje	8
Kokoamisohje	9
Turvallisuustiedot	14
Ylläpito & Puhdistus	15
Ilmanpainesaranan Säädot	16
Nopea Aloitusopas	18
Nopea Lämpötila-Opas	19

Hiili ei tule grillin mukana.



VAROITUS

- Tämä manuaali sisältää tärkeää tietoa, joka on välttämätöntä laitteen turvallisen kokoamisen ja käytön varmistamiseksi.
- Lue ja seuraa kaikkia varoituksia ja ohjeita ennen laitteen kokoamista tai käyttöä.
- Säilytä tämä opas tulevaa käyttöä varten.

Näiden ohjeiden noudattamatta jättäminen voi johtaa tulipaloon, räjähdykseen tai palovaaraan, mikä voi aiheuttaa omaisuusvaurioita, henkilökohtaisen vamman tai kuoleman.



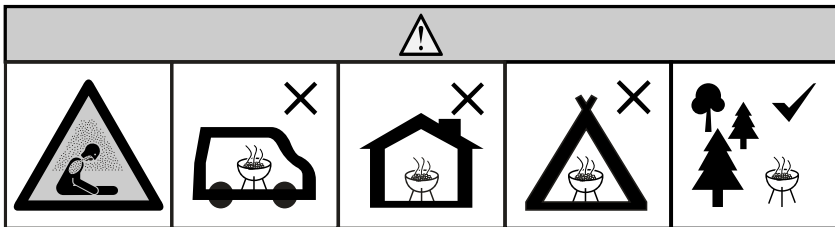
HIILIMONOKSIDIN VAARA

- Hiilen tai puulastujen polttaminen synnyttää hajutonta hiilimonoksidia, mikä saattaa johtaa kuolemaan.
- Käytä vain hyvin ilmastoiduissa ulkotiloissa.

! VAROITUKSET JA TÄRKEÄT VARATOIMENPITEET

LUE KOKO OHJE

- **VAROITUS!** Grilli kuumenee todella kuumaksi. Älä liikuta grilliä käytön aikana.
- **VAROITUS!** Älä käytä sisätiloissa!
- **VAROITUS!** Älä käytä alkoholia, bensaa tai muita samankaltaisia nesteitä grillin sytyttämiseen tai palamiseen.
- **VAROITUS!** Pidä lapset ja lemmikit poissa grillin lähetyviltä kaikkina aikoina. ÄLÄ anna lasten käyttää grilliä. Ole varuillasi varsinkin pienten lasten ja lemmikkieläinten ollessa grillin lähetyvillä käytön aikana.



- Älä käytä grilliä ahtaissa ja/tai kiireisissä tiloissa esim. sisätiloissa, teltassa, asuntovaunussa, asuntoautossa, veneissä. Hiilimonoksidimyrkytyksen vaara.
- Käytä grilliä aina paikallisten, maakunnan ja kansallisten palomääräysten mukaisesti.
- Tarkista grillin pultit, nupit ja ruuvit ennen käyttöä.
- Älä koskaan käytä grilliä katoksen, autokatoksen, markiisin tai ulokkeen alla.
- Grilli on suunniteltu VAIN ULKOKÄYTTÖÖN.
- Pidä vähintään 3 metrin etäisyys katosrakteista, seinistä tai muista rakenteista.
- Pidä vähintään 3 metrin etäisyys kaikista helposti syttyvistä materiaaleista kuten puusta, kuivista kasveista, harjoista, paperista tai kankaasta.
- Älä käytä grilliä koskaan muuhun, kuin sen aiottuun käyttötarkoitukseen. Tätä grilliä EI ole tarkoitettu kaupalliseen käyttöön.
- Muiden, kuin Kamado Joen myymien lisätarvikkeiden käyttöä grillissä EI suositella niiden saattaessa aiheuttaa vaaratilanteita.



VAROITUKSET JA TÄRKEÄT VARATOIMENPITEET

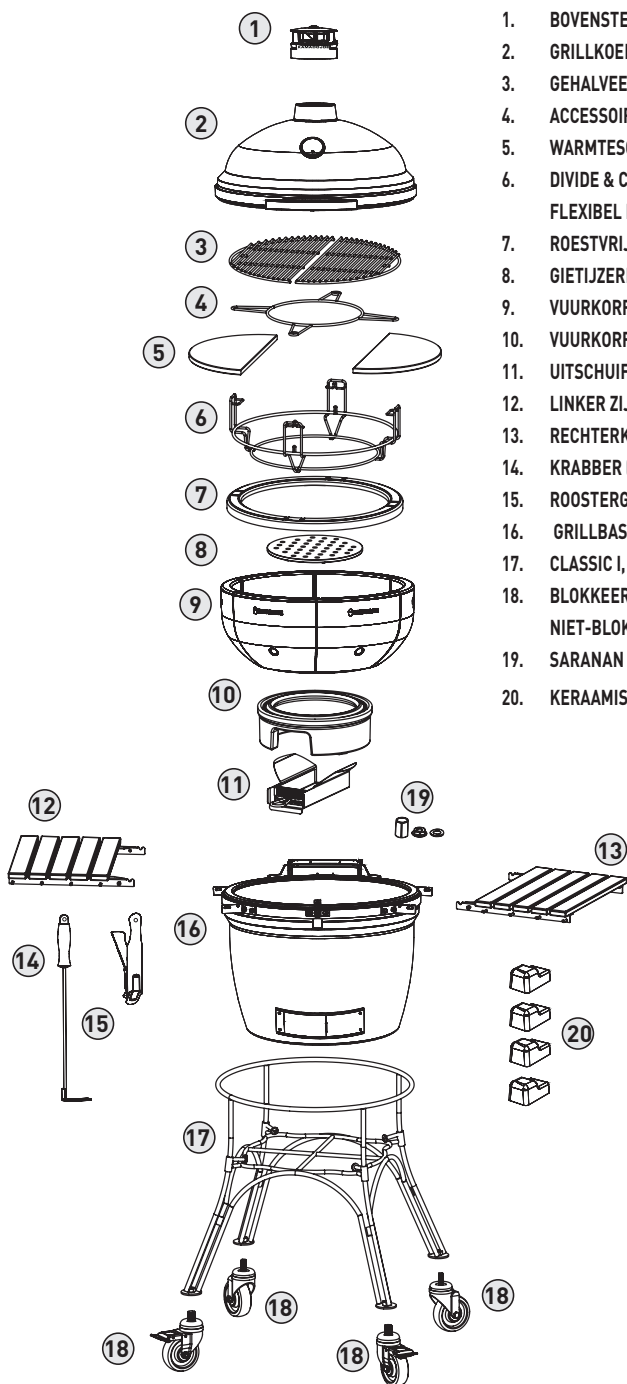
- Alkoholin, resepti-, tai muiden lääkkeiden käyttö saattaa heikentää käyttäjän kykyä laitteen kokoamisessa tai turvallisessa käytössä.
- Pidä palosammutin lähetyvillä grilliä käyttäessäsi.
- Öljyllä tai rasvalla grillatessasi pidä BC -tai ABC-tyyppinen palosammutin lähetyvillä.
- Älä koskaan yritä sammuttaa öljyn tai rasvan paloa vedellä. Soita hätänumeroon välittömästi. BC- tai ABC-tyyppiset palosammuttimet saattavat joissain tapauksissa kontrolloida tulipaloa.
- Käytä grilliä tasaisella, palamattomalla, vakaalla alueella kuten soralla, betonilla, tiilellä tai kivellä. Asfalttialue ei ole välttämättä paras alue tähän tarkoitukseen.
- Grillin TULEE olla kosketuksissa maahan. Älä aseta grilliä pöydälle tai tiskille. ÄLÄ liikuta grilliä epätasaisilla alueilla.
- Älä käytä grilliä puisilla tai helposti syttyvillä pinnoilla.
- Pidä grilli puhtaana syttyvistä materiaaleista kuten bensiinistä ja muista helposti syttyvistä höyryistä ja nesteistä.
- Älä jätä grilliä vartioimatta.
- ÄLÄ salli aktiviteettien harrastamista grillin lähetyvillä sen käytön aikana tai heti sen jälkeen, kunnes grilli on jäähtynyt.
- Älä koskaan käytä lasisia, muovisia tai keraamisia ruoanlaittovälineitä grillin yhteydessä. Älä koskaan aseta tyhjiä ruokailuvälineitä grilliin sen ollessa käytössä.
- Älä koskaan liikuta grilliä sen ollessa käytössä. Salli grillin viilentyä kokonaan (alle 45°C) ennen se liikuttamista tai varastointia.
- Älä varastoi grilliä kuumien hiilien tai tuhkan ollessa sen sisällä. Varastoi vasta, kun tuli on kokonaan sammunut ja kaikki pinnat ovat kylmiä.
- Älä koskaan käytä grilliä lämmittimenä. LUE HIILIMONOKSIDIN VAARA
- Grilli on KUUMA käytön aikana ja pysyy KUUMANA sen jäähtymisprosessin ajan. Käytä VAROVAISUUTTA. Käytä suojakäsineitä/hanskoja
- Älä tönäise tai heilauta grilliä henkilökohtaisen vamman välttämiseksi kuumien nesteiden läikkymisen ja roiskeiden välttämiseksi.
- Siirrä ruoka varovasti pois grilliltä. Kaikki pinnat ovat KUUMIA ja saattavat aiheuttaa palovammoja. Käytä patakintaita/käsineitä ja vankkoja grillauslastoja kuumilta pinnoilta sekä roiskeilta suojautumiseen.



VAROITUKSET JA TÄRKEÄT VARATOIMENPITEET

- Älä koske KUUMIIN pintoihin.
- Grilli on KUUMA käytön aikana. Palovammojen välttämiseksi pidä kasvosi ja kehoosi kaukana ilmarei'istä ja grillin kannesta sitä avatessasi. Höyry ja kuuma ilma virtaavat grillistä sen käytön aikana.
- Yli 180°C kokatessasi, avaa grilli varovasti (tai läpsäytä sitä varovasti) joka kerta grillin kantta nostaessasi hapen aiheuttaman kuumen takauman välttämiseksi. Avaa kansi vain 5-8 cm ja anna höyryn paeta noin 5 sekunnin ajan tämän välttämiseksi.
- Ilmapellit ovat KUUMIA grillin käytön ja jäähtymisen aikana. Käytä suojakäsineitä grilliä säätäessäsi.
- Grillissä on avotuli. Pidä kädet, hiukset ja kasvot kaukana tulesta. ÄLÄ nojaa grilliin sytytyksen aikana. Vapaana heiluvat hiukset ja löysät vaatteet saattavat syttyä tuleen.
- ÄLÄ estä palamista tai ilmankiertoa.
- Älä peitä keittotasoja foliolla. Tämä estää kuumuutta poistumasta ja saattaa aiheuttaa vahinkoa grillille.
- Älä koskaan jätä KUUMIA hiiliä tai tuhkaa vartioimatta.
- Polttoaine tulee pitää punaisen kuumana ainakin 30 minuuttia ennen käyttöä.
- Älä aloita grillausta ennen kun polttoaineessa on kerros tuhkaa.
- Älä yritä avata tuhkakuppia hiilen ja tuhkan ollessa KUUMIA.
- Käytä suojakäsineitä kuumia osia tai tulta käsitellessäsi. Käytä suojakäsineitä tai pitkiä, vankkoja välineitä puun tai hiilen lisäämiseksi.
- Älä koskaan käytä hiilisytytysnestettä, bensiiniä, alkoholia tai muita helposti syttyviä nesteitä hiilen sytyttämiseksi. Nämä nesteet ovat räjähdysherkkiä ja saattavat aiheuttaa vammoja tai kuoleman.
- Big Joe enimmäishiilimäärä on 4,5 kg. (4,5 kg). Älä koskaan täytä hiiliristikkoa liian täyteen. Tämä saattaa aiheuttaa vakavan vamman sekä vahingoittaa grilliä.
- Hävitä kylmät tuhkat asettamalla ne ensin folion sisään, kastamalla se veteen ja heittämällä pois palamattomaan astiaan.
- SloRoller-laitetta ei tule käyttää yli 260°C:n lämpötiloissa.

SÄILYTÄ NÄMÄ OHJEET



1. BOVENSTE LUCHTGAT (1)
2. GRILLKOEPEL (1)
3. GEHALVEERDE BAKROOSTERS (2)
4. ACCESSOIREK (1)
5. WARMTESCHILDEN (2)
6. DIVIDE & CONQUER, VERDEEL EN HEERS: FLEXIBEL BAKSYSTEEM (1)
7. ROESTVRIJSTALEN BEDEKKING VAN VUURKORF (1)
8. GIETIJZERE ROOSTER (1)
9. VUURKORFWANDEN (6)
10. VUURKORFBASIS (1)
11. UITSCHUIFBARE ASLADE (1)
12. LINKER ZIJPLANK (1)
13. RECHTERKANT (1)
14. KRABBER (1)
15. ROOSTERGEI (1)
16. GRILLBASIS (1)
17. CLASSIC I, KAR (1)
18. BLOKKEERBARE ZWENKWIJLTJES (2)
NIET-BLOKKEERBARE ZWENKWIJLTJES (2)
19. SARANAN TYÖKÄLUSARJA (1)
20. KERAAMISET JALAT (4)

Grilli Asennusohje

GRILLIN PAKETOINNIN AVAAMINEN

1 Leikkaa muovihihnat ja poista kuljetuskontin kansi -ja sivupaneelit.

2 Aseta paketti sivuun.

3 Avaa kansi ja poista sen sisällä olevat grillin osat. Käsittele sisäisiä keraamisia osia varoen.

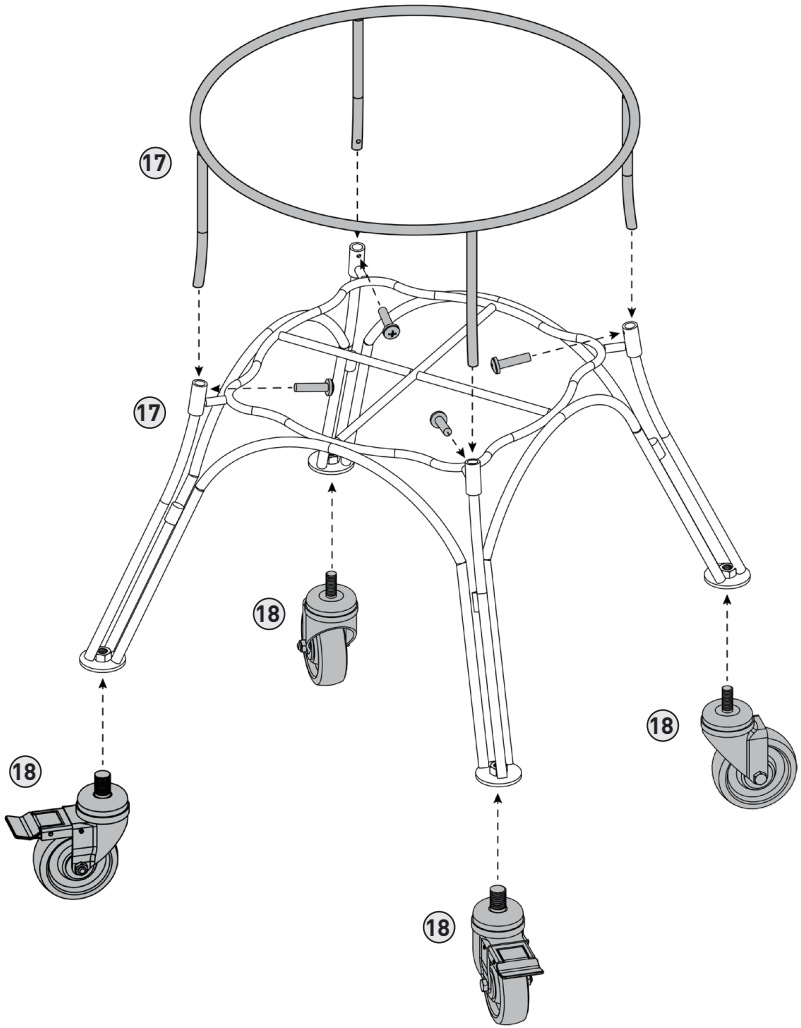
KAMADO JOE PYÖRÄLLINEN GRILLI

1 Grillin sisäisten osien poistamisen jälkeen nosta grilli laatikosta ja aseta sivuun. Grillin painon takia suosittelemme kahden henkilön avustavan tässä tehtävässä. ÄLÄ nosta grilliä sen sivujen hyllylevyistä. Käytä nostamiseen sen takaosan saranaaja alapuolen venttiiliaukkoa.

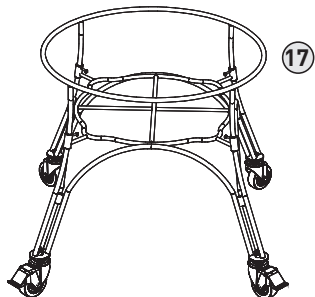
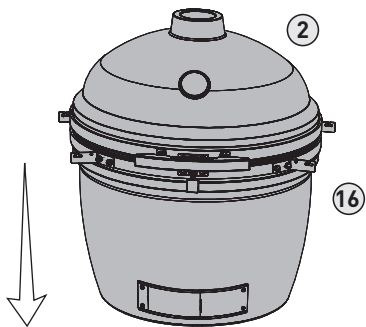
2 Kokoa grillikärry.

3 Nosta grilli kärryyn aikaisemmin käyttämälläsi nostotekniikalla. Aseta grilli niin, että sen alempi venttiili on kärryn edessä. Kärryn etupuolella on kaksi lukkiutuvaa rengasta.

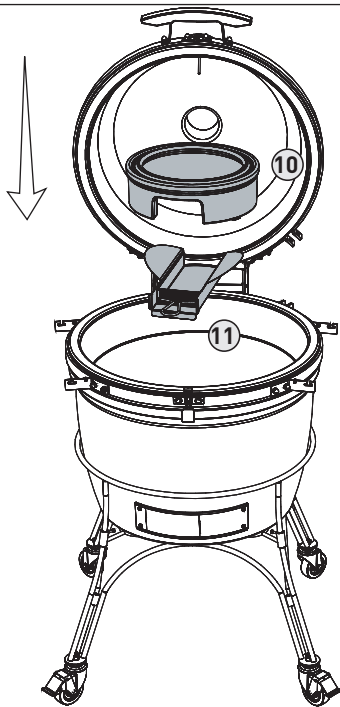
1



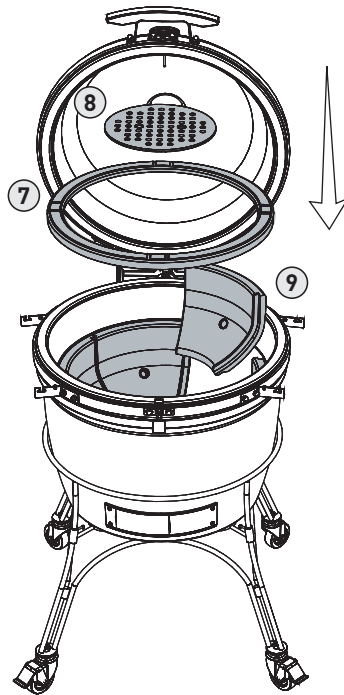
2



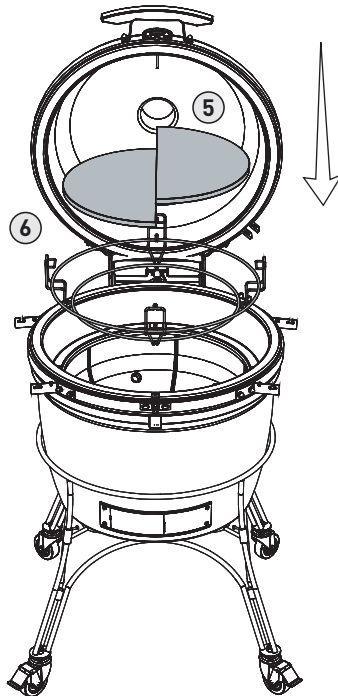
3



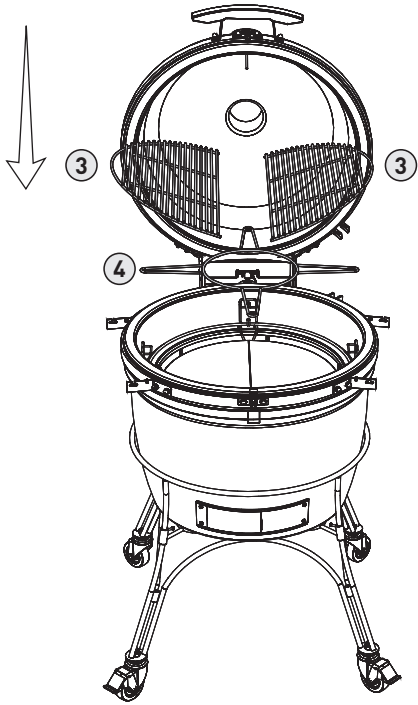
4



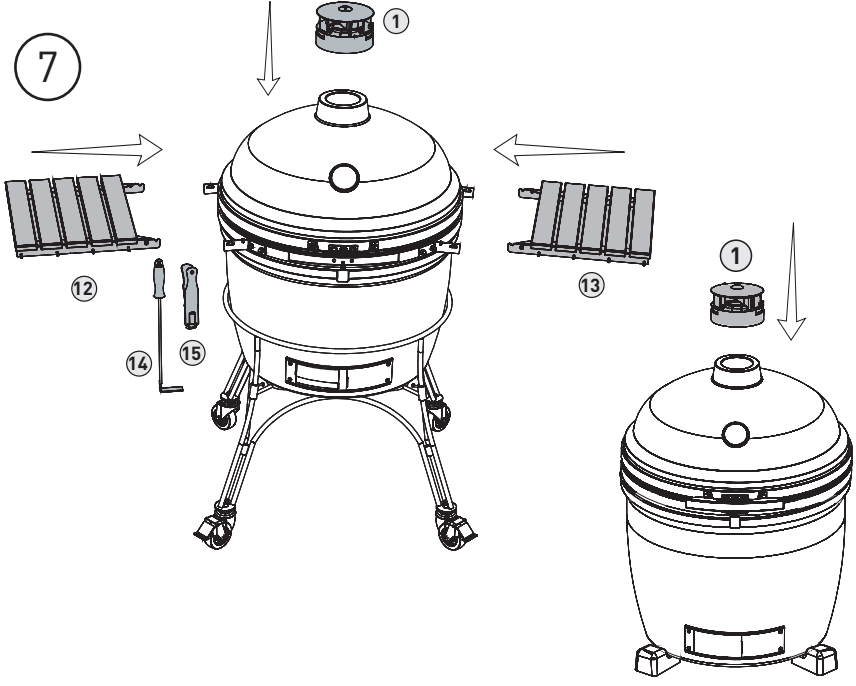
5



6

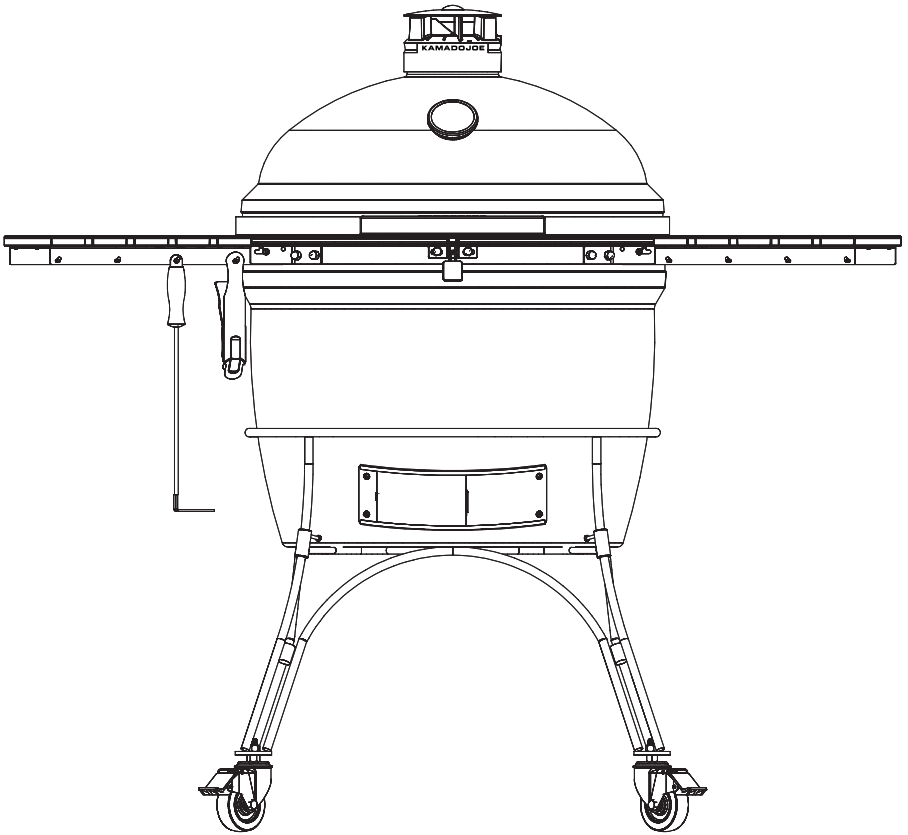


7



RIIPPUMATON VERSIO

8



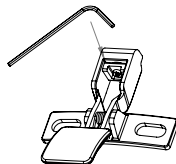
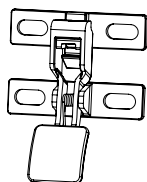
Salvan säädöt

Classic III sarana on esisäädetty erittäin tiukasti tiivistekseen.

Käytä näitä ohjeita apunasi, jos haluat muuttaa säätöjä.

CLASSIC III KÄRRY

Käytä kuusioavainta salvan kiristämiseen ja löysentämiseen. Säädä ruuvi salvan levyn madaltamiseen ja lisää välike. Kun välike on lisätty, asenna salpalevy uudelleen kiristämällä säätöruuvi.



Turvallisuustiedot

HUOMAUTUS

Saranat ja hihnat ovat korkean jännitteen alla. Noudata näitä ohjeita vakavilta vammoilta välttymiseen.

SARANA

Älä yritä purkaa saranaa tai löysentää hihnoja ilman siihen tarkoitettuja työkaluja.

HUOMAA: Saranan työkalusarja (välike, aluslevy ja kuusio mutteri mukana)

Pida nämä osat, jos sarana poistetaan myöhemmin uudelleen. Saranaa ei voida poistaa turvallisesti ilman näitä osia.

Nosta grilli käyttäen alapintaa ja alinta tuuletusaukkoa nostopisteinäsi (älä nosta grilliä saranan, hihnan kiinnikkeen tai kahvan kohdalta, koska tämä voi aiheuttaa kuvun irtoamisen).



Kuvun painon säätöön saa tehdä ainoastaan pieniä säätöjä sivulla 16 annettujen ohjeiden mukaisesti.

TIIVISTE

Suosittelimme tiivisteiden itsepuhdistusta luonnollisen lämpösyklin avulla.

Älä käytä kemiallisia puhdistusaineita tiivisteiden puhdistamiseen.

Jos tämä on kuitenkin välttämätöntä, pyyhi roiskeet ja ylimääräinen kosteus hellästi pyyhkeellä. Älä hankaa tai hierrä tiivistettä sitä puhdistaussasi. Jatkuva hankaaminen saattaa aiheuttaa kulumia.

Ylläpito & Puhdistus

Kamado Joe grillisi on tehty laadukkaista materiaaleista, jonka takia yleinen huolenpito ja ylläpito ovat vähäisiä. Paras tapa Kamado Joen suojaamiseen on grillihupun käyttäminen.

Kevyt krakattu posliini on osa luonnollista ominaisuutta.

ITSEPUHDISTAVA

1 Lisää hiiliä ja sytytä ne.

2 Asenna Divide & Conquer® joustava grillausritiläsysteemi yläasentoon ja asenna kummatkin lämmönhajaimet lisätelineen päälle.

3 Avaa ylä -ja alaventtiilit ja anna grillin lämpötilan nousta 315°C asteeseen

kannen ollessa kiinni.

4 Pidä lämpötila noin 315°C asteessa 15-20 minuuttia.

5 Sulje alaventtiili ja odota toiset 15-20 minuuttia, ennen yläventtiilin sulkemista.

Tämä prosessi polttaa grillin sisällä olevan lian. Harjaa ritilät grilliharjalla ennen seuraavaa grillauskertaa. Käytä pehmeää harjaa keraamisten osien puhdistamiseksi. Tämän prosessin jälkeen myös lämmönhajaimien tulisi olla puhtaana liasta. Käytä pehmeää harjaa irtolian siivoamiseen puhdistuksen jälkeen. Jos lämmönhajaimet likaantuvat normaalin käytön aikana, käännä ne likainen puoli alaspäin seuraavan grillauksen ajaksi ja tulen kuumuus puhdistaa ohjaimet luonnollisesti.

Puhdista grilli perinpohjaisesti 1-2 kertaa vuodessa. Poista sisäiset komponentit ja kaikki grilliin ja sen osiin kerääntyneet tuhkat tai roskat. Käytä

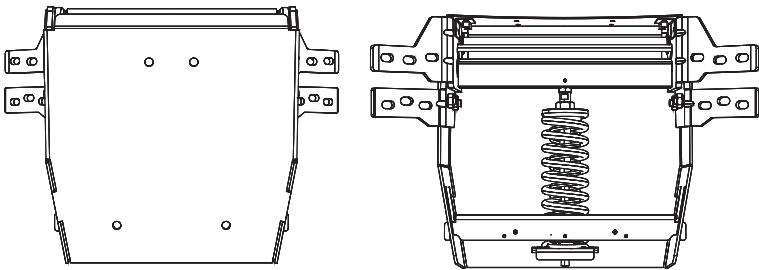
muoviharjaa grillin sisällä olevien keraamisten pintoje puhdistamiseksi ja lapioi tai imuroi irtolika grillin pohjasta ennen osien uudelleenasetamista.

Big Joe Ilmanpainesaranan Säädöt

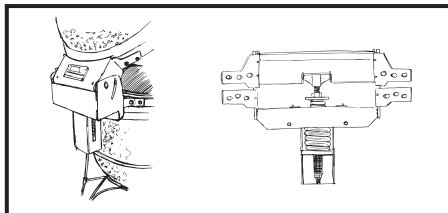
Kamado Joe Big Joe grillisi ilmanpainesarana on esisäädetty ihanteellisen tasapainon ja vakautuksen varmistamiseksi. Seuraa näitä ohjeita henkilökohtaiseen käyttöön tarvittavien lisäsäätöjen tekemiseksi.

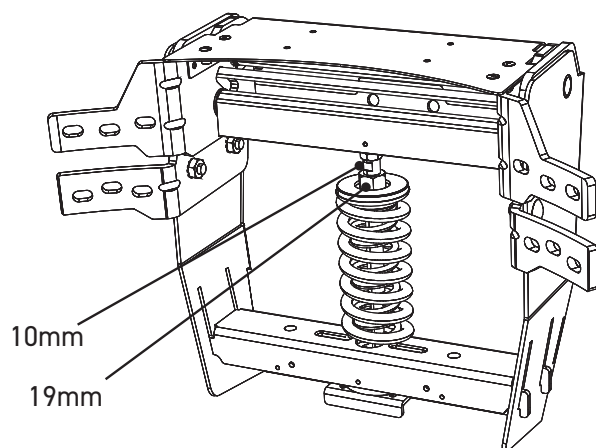
Huomautus: Korkean paineen alainen ilmanpainesarana.

- 1 Avaa Kamado Joe Big Joe grillin kansi.
- 2 Kannen ollessa auki, aseta 10mm jakoavain ruuvien tasaiselle puolelle (Liite 1).
- 3 Aseta 19mm jakoavain jousen yläpuolella olevalle mutterille (Liite 1).
- 4 Kannen avaamisen helpottamiseksi, pidä 10mm jakoavain paikallaan ja pyöritä 19mm jakoavainta myötäpäivään kuvan mukaan. Irrota jakoavaimet ja tarkista kannen liikutavuus jokaista mutterin kiertoa kohti. Jos haluat kannen tuntuvan tukevammalta, käännä mutteria vastapäivään. Irrota jakoavaimet ja tarkista kannen liikutavuus jokaista mutterin kiertoa kohti. Älä säädä mutteria niin, että se koskettaa liitintä. (Liite 1).

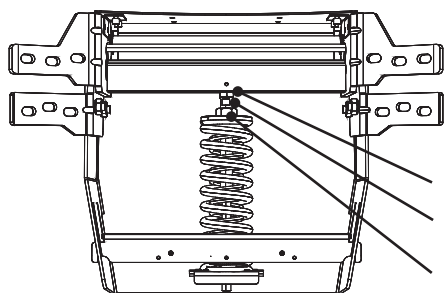
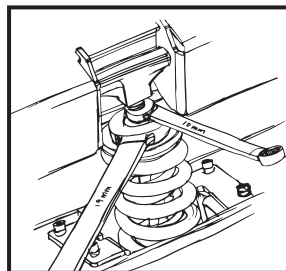


VAIHTOEHTOINEN SARANO





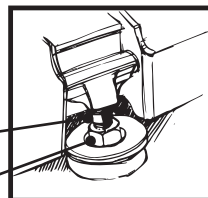
VAIHTOEHTOINEN SARANO



Liite 1

- Liittimen alla oleva mutteri
- Talttaruuvi
- Jousen säätömutteri

VAIHTOEHTOINEN SARANO



TARVITTAVAT TYÖKALUT: 10 MM JAKOAVAIN JA 19 MM JAKOAVAIN.

Nopea Aloitusopas

ALOITUS

- 1 Lisää hiilet tulipesään ja sytytä hiilet palon käynnistimillä.
- 2 Jätä kansi auki 10 minuutiksi alaventtiilin ollessa kokonaan auki.
- 3 Sulje kansi.
- 4 Aloita ylä- ja alaventtiilin sulkeminen sisälämpötilan ollessa 10°C kohdelämpötilasta.

LÄMPÖTILAN YLLÄPITO

Lämpötilan madaltamiseksi, lisää grillin sisäistä ilmankiertoa sulkemalla venttiilit. Voit nostaa lämpötilaa aukaisemalla venttiilit. Venttiilien säätömuutokset eivät tapahdu heti—salli 10–15 minuuttia venttiilien muutosten tapahtumiseen. Kamado Joen kuumenemisessä saattaa kestää hetki sen keraamisten osien lämmönvarauskyvyn ansiosta. Anna grillillesi 20–40 minuutista tuntiin lämmöntasoitusaikaa ennen grillausta.

GRILLIN JÄÄHDYTTÄMINEN

- 1 Sulje alaventtiili kokonaan grillauksen jälkeen.
- 2 Lämpötilan laskiessa 205°C asteeseen, sulje yläventtiili melkein kokonaan. 2 Lämpötilan laskiessa 205°C asteeseen, sulje yläventtiili melkein kokonaan.
- 3 Älä sulje grilliä ennen kun sen kansi on viileä kosketukselle.

**SULJE VENTTIILIT LÄMPÖTILAN LASKEMISEKSI.
AUKAISE NE LÄMPÖTILAN NOSTAMISEKSI.**

NOPEA LÄMPÖTILA-OPAS

Suurpiirteiset lämpötilat ruoanlaittoon.

GRILLAUS	205-315°C
RUSKISTAMINEN	260-400°C
PAISTAMINEN	150-400°C
PAAHTAMINEN	150-230°C
SAVUSTAMINEN	105-135°C

HUOMAUTUS

LÄPSÄYTYS

Yli 175°C kokatessasi, avaa grilli varovasti (tai läpsäytä sitä varovasti) joka kerta grillin kantta nostaessasi hapen aiheuttaman kuumen takauman välttämiseksi.

NESTEET

Älä läikytä nestettä grillin sisälle tai pintaan sen ollessa kuuma.

KIPINÄT

Huomioithan kipinät ja lentävän hiilloksen käyttäessäsi grilliä puuterassilla.

KÄYTÖN AIKANA

Älä jätä grilliäsi vartioimatta ja kantta auki.

KAMADOJOE®

**KAMADOJOE.COM
KAMADOJOE.COM/CONTACT
KAMADOJOE.COM/WARRANTY
KAMADOJOE.COM/COLLECTIONS/PARTS**

KAMADO JOE • 5032 MILGEN CT. • COLUMBUS, GA 31907

BIG JOE II HASZNÁLATI ÚTMUTATÓ



KAMADOJOE®

9804200026 210511-GH

Tartalomjegyzék

Figyelmeztetések	3
Alkatrészlista és szükséges szerszámok	7
Grillösszeszerelési utasítások	8
Összeszerelési utasítások	9
Biztonsági információk	14
Tisztítás és gondozás	15
Zsanérbeállítások	16
Gyorsindítási útmutató	18
Gyors hőmérsékleti útmutató	19

A grillhez nem mellékelünk faszenet.



FIGYELMEZTETÉS

- Ez a kézikönyv a készülék megfelelő összeszereléséhez és biztonságos használatához szükséges fontos információkat tartalmazza.
- A készülék összeszerelése és használata előtt olvassa el, majd tartsa be az összes figyelmeztetést és utasítást.
- Őrizze meg a használati útmutatót annak érdekében, hogy később is használni tudja.



Az utasítások be nem tartása tüzet, robbanást vagy égési kockázatot eredményezhet, ami anyagi károkhoz, személyi sérüléshez vagy halálesethez vezethet.



SZÉN-MONOXID VESZÉLY

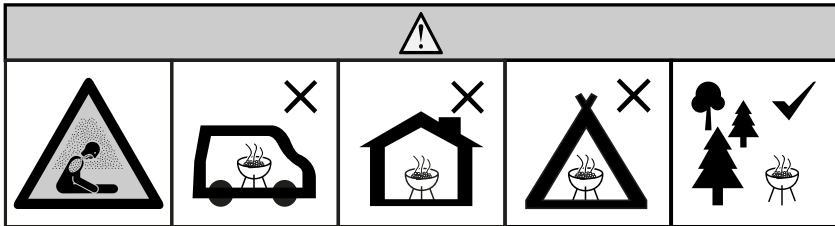
- A szén vagy faforgács égése közben szagtalan és halálos szén-monoxid keletkezik.
- Csak a szabadban, jól szellőző helyen használja.



FIGYELMEZTETÉSEK ÉS FONTOS ÓVINTÉZKEDÉSEK

OLVASSON EL MINDEN UTASÍTÁST.

- **FIGYELEM!** A grillsütő nagyon felforrósodik. Ne mozgassa működtetés közben.
- **FIGYELEM!** Ne használja zárt térben!
- **FIGYELEM!** Ne használjon alkoholt, benzint vagy más hasonló folyadékot a grillsütő begyújtásához vagy újraindításához.
- **FIGYELEM!** Mindig tartsa távol a gyermekeket és a háziállatokat a grilltől. **NE** engedje, hogy gyermek használja a grillt. Szigorú felügyelet szükséges, ha gyermekek vagy háziállatok tartózkodnak azon a területen, ahol a grillt használják.



- Ne használja a grillsütőt zárt és/vagy lakhelyen, például házakban, sátrakban, lakókocsikban, lakóautókban, hajókon. Fennáll a halálos szén-monoxid-mérgezés veszélye.
- A grillsütőt mindig a helyi, állami és szövetségi tűzvédelmi előírásoknak megfelelően használja.
- Minden használat előtt ellenőrizze az összes anyát és csavart, hogy megbizonyosodjon arról, hogy azok szorosan és biztonságosan rögzítve vannak-e.
- Soha ne üzemeltesse a grillt tetőszerkezetek, kocsibeállók, napernyők vagy előtetők alatt.
- A grill csak a SZABADBAN HASZNÁLHATÓ.
- Tartson fent legalább 3 m távolságot a tetőktől, falaktól, sínektől vagy más szerkezetektől.
- Tartson fent legalább 3 m távolságot minden olyan éghető anyagtól, mint például a fa, padlózat, száraz növények, fű, bozót, papír vagy vászon.
- Csak rendeltetésszerűen használja a grillt. A grill kereskedelmi használatra NEM alkalmas.
- A nem a Kamado Joe által szállított tartozékok használata NEM javasolt és sérülést okozhat.



FIGYELMEZTETÉSEK ÉS FONTOS ÓVINTÉZKEDÉSEK

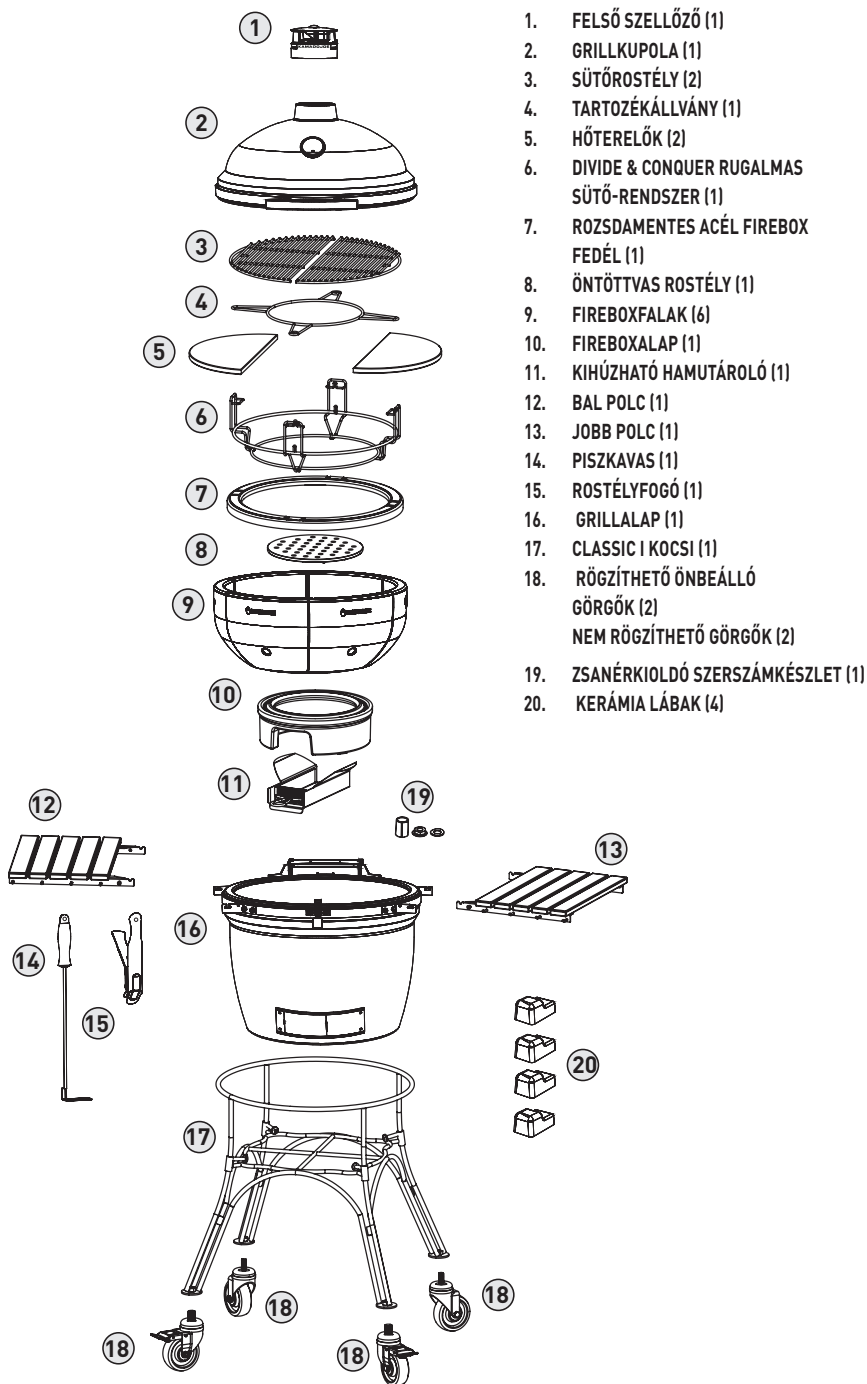
- Az alkohol, vényköteles vagy a nem vényköteles gyógyszerek használata ronthatja a felhasználó grillösszeállító vagy -biztonságosan üzemeltető képességét.
- A grill üzemeltetése közben mindig tartson a közelében tűzoltókészüléket.
- Olajjal vagy zsírral való sütés esetén BC vagy ABC típusú tűzoltókészülék legyen elérhető.
- Olajtól vagy zsírtól képződött tűz esetén ne próbálja azt vízzel eloltani. Azonnal hívja a tűzoltóságot. A BC vagy ABC típusú tűzoltókészülék, bizonyos körülmények között, feltartóztathatja a tüzet.
- A grillezőt olyan egyenletes, nem éghető, stabil felületen használja, mint például salak, beton, téglá vagy kőzet. Az aszfaltfelület (bitumen) nem jó erre a célra.
- A grillezőnek a földön KELL állnia. Ne helyezzen grillezőt asztalra vagy pultra. NE mozgassa a grillt egyetlen felületeken.
- Ne használja a grillt fa vagy gyúlékony felületeken.
- A grillt tartsa tisztán és az olyan éghető anyagoktól mentesen, mint a benzin és más gyúlékony gőzök és folyadékok.
- Ne hagyja a grillt felügyelet nélkül.
- NE engedje, hogy bárki tevékenységet végezzen a grill körül annak használata során vagy azt követően, amíg az ki nem hűlt.
- Soha ne használjon üveg-, műanyag- vagy kerámiaedényeket a grillben. Soha ne tegyen üres edényt a grillbe a használata közben.
- Soha ne mozgassa a grillt használat közben. A mozgatás vagy tárolás előtt hagyja, hogy a grill teljesen lehűljön (45 °C alá).
- Ne tároljon a grillben forró hamut vagy faszenet. Csak úgy szabad tárolni, ha a tűz teljesen kialudt és a grill minden felülete hideg.
- Soha ne használja a grillt fűtésre. OLVASSA EL A SZÉN-MONOXID VESZÉLYRŐL SZÓLÓ RÉSZT.
- A grill használat közben FORRÓ, illetve a használat után és a lehűlési folyamat során egy darabig még FORRÓ marad. ÓVATOSAN használja. Viseljen védőkesztyűt.
- Annak érdekében, hogy megakadályozza a személyi sérülést, a grill károsodását vagy a forró sütőfolyadék kifröccsenését, NE menjen vagy ütközzön a grillnek.
- Óvatosan vegye ki az ételt a grillből. Minden felület FORRÓ és égési sérüléseket okozhat. Használjon védőkesztyűt vagy hosszú, strapabíró sütőszerszámokat a forró felületek vagy a sütőfolyadékok fröccsenése elleni védelem érdekében.
- NE érintse meg a FORRÓ felületeket.



FIGYELMEZTETÉSEK ÉS FONTOS ÓVINTÉZKEDÉSEK

- Használat közben a grill **FORRÓ**. Az égési sérülések elkerülése érdekében tartsa távol az arcát és a testét a szellőzőnyílásoktól és a fedéltől felnyitáskor. A gőz és a forró levegő használat közben távozik.
- 175 °C-nál magasabb hőmérsékleten sütünk, minden alkalommal, amikor felemeljük a kupolát, óvatosan nyissuk ki a grillt (vagy emelgessük a tetejét), hogy megakadályozzuk a lángfelcsapódást – az oxigénáram által okozott forró hő kiáramlását. A tető 5–8 cm-re való részleges megnyitásával és a hő 5 másodperces kiengedésével ez elkerülhető.
- A légszűrők **FORRÓAK** a grill használata és lehűlése közben. A beállításuknál viseljen védőkesztyűt!
- A grill nyílt lángot használ. Tartsa a kezét, a haját és az arcát távol a lángtól. **NE** támaszkodjon a grillre begyújtás közben. A laza haj és ruházat meggyulladhat.
- **NE** gátolja meg az égést és a szellőzést.
- Ne takarja le a fémfóliával a rostélyokat. Ez visszatartja a hőt, és károsíthatja a grillt.
- Soha ne hagyja felügyelet nélkül a **FORRÓ** faszemet vagy parazsat.
- A felhasználás előtt legalább 30 percig tartsuk izzó vörösen a tüzelőanyagot.
- Ne süssön addig, amíg a tüzelőanyagból nem képződik hamuréteg.
- Ne távolítsa el a hamutárolót, amíg a hamu és a faszén **FORRÓ**.
- Használjon védőkesztyűt, ha ezt a grillt használja vagy a tűzzel foglalkozik. A fa vagy faszén hozzáadásakor védőkesztyűt vagy hosszú, strapabíró szerszámot használjon.
- Soha ne használjon faszéngyújtó folyadékot, benzint, alkoholt vagy más erősen illékony folyadékot a faszén meggyújtásához. Ezek a folyadékok felrobbanhatnak, és sérülést vagy halált okozhatnak.
- A Big Joe maximális faszén kapacitása 4,5 kg. Soha ne töltse túl a faszénrostélyt. Ez súlyos sérülést és a grill károsodását okozhatja.
- A hideg hamu alumínium fóliába helyezve, vízbe áztatva és nem éghető tartályban helyezve ártalmatlanítható.
- A SloRoller nem használható 260 °C hőmérséklet felett.

ŐRIZZE MEG EZEKET AZ UTASÍTÁSOKAT



1. FELSŐ SZELLŐZŐ (1)
2. GRILLKUPOLA (1)
3. SÜTŐROSTÉLY (2)
4. TARTÓZÉKÁLLVÁNY (1)
5. HŐTERELŐK (2)
6. DIVIDE & CONQUER RUGALMAS SÜTŐ-RENDSZER (1)
7. ROZSDAMENTES ACÉL FIREBOX FEDÉL (1)
8. ÖNTÖTTVAS ROSTÉLY (1)
9. FIREBOXFALAK (6)
10. FIREBOXALAP (1)
11. KIHÚZHATÓ HAMUTÁROLÓ (1)
12. BAL POLC (1)
13. JOBB POLC (1)
14. PISZKAVAS (1)
15. ROSTÉLYFOGÓ (1)
16. GRILLALAP (1)
17. CLASSIC I KOCSI (1)
18. RÖGÍTHETŐ ÖNBEÁLLÓ GÖRGŐK (2)
NEM RÖGÍTHETŐ GÖRGŐK (2)
19. ZSANÉRKIOLDÓ SZERSZÁMKÉSZLET (1)
20. KERÁMIA LÁBAK (4)

Grillösszeszerelés

A GRILL KICSOMAGOLÁSA

1 Vágja el a műanyag szalagokat, és távolítsa el a szállítódoboz felső és oldalsó paneljeit.

2 Állítsa a grillkocsidobozt félre.

3 Nyissa fel a grillkupolát, és távolítsa el az alkatrészeket a grill belsejéből. A belső kerámia alkatrészeket óvatosan kezelje.

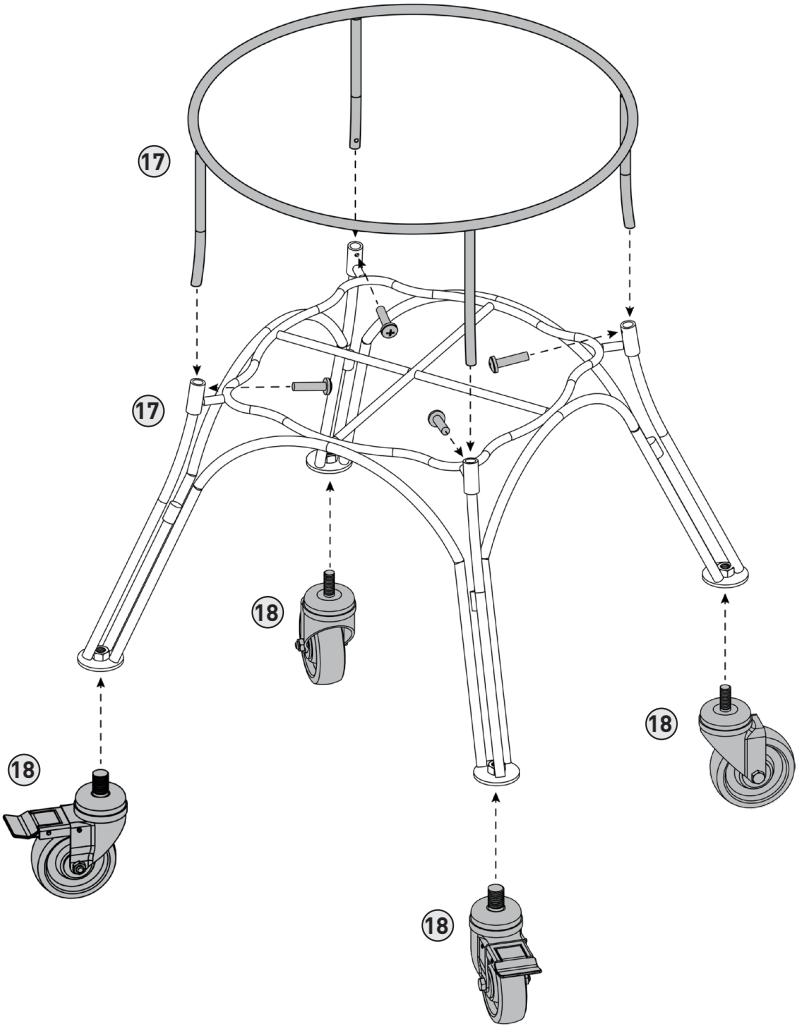
KAMADO JOE GRILL KOCSIVAL

1 Miután eltávolította a grill belső részegységeit, emelje ki a grillt a dobozból, és tegye félre. A grill súlya miatt azt javasoljuk, hogy két ember hajtsa végre ezt a feladatot. A grillt NE az oldalsó polctartó füleknél fogva emelje meg. A hátsó zsanéért és az első alsó szellőzőnyílást használja emelési pontként.

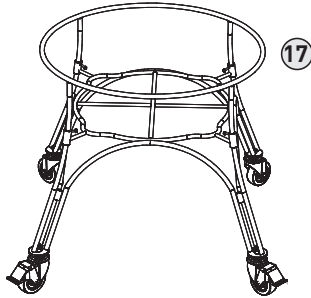
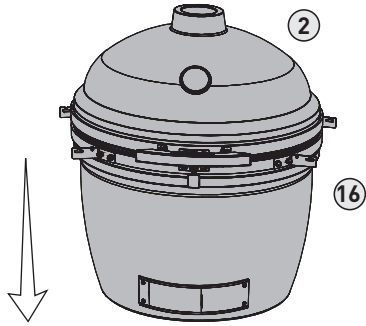
2 Szerelje fel a grillkocsit.

3 A korábbi emelési technikával emelje be a grillt a kocsiba. Állítsa be a grillt a kocsiba úgy, hogy az alsó grillszellőző a kocsi eleje felé nézzen. A kocsi első oldala a két rögzíthető görgővel ellátott oldal.

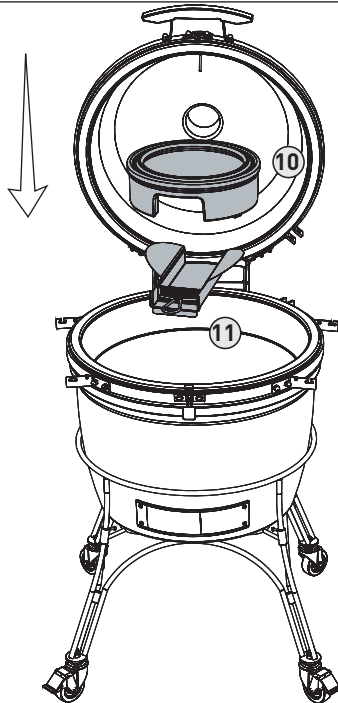
1



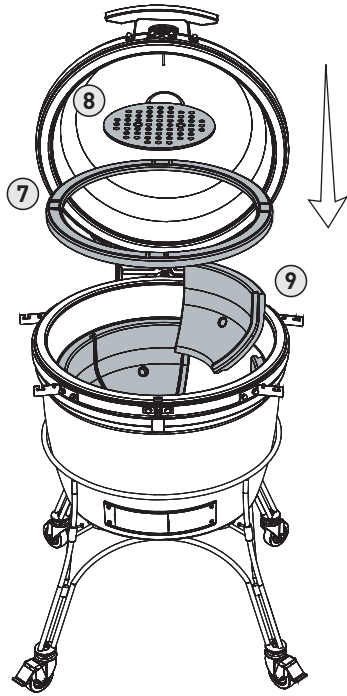
2



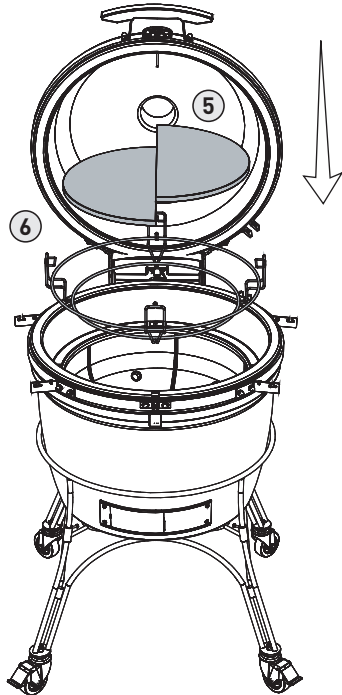
3



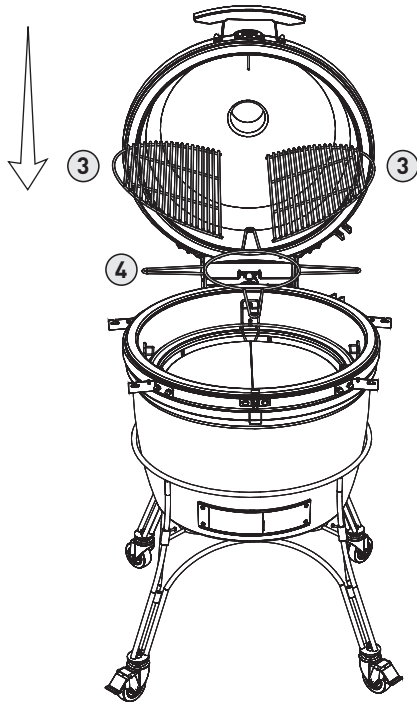
4



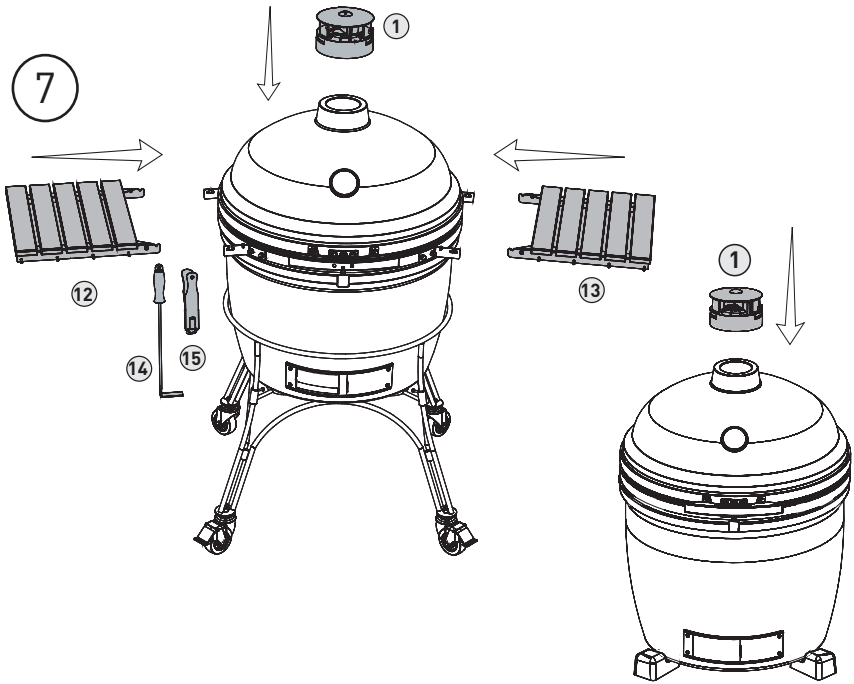
5



6

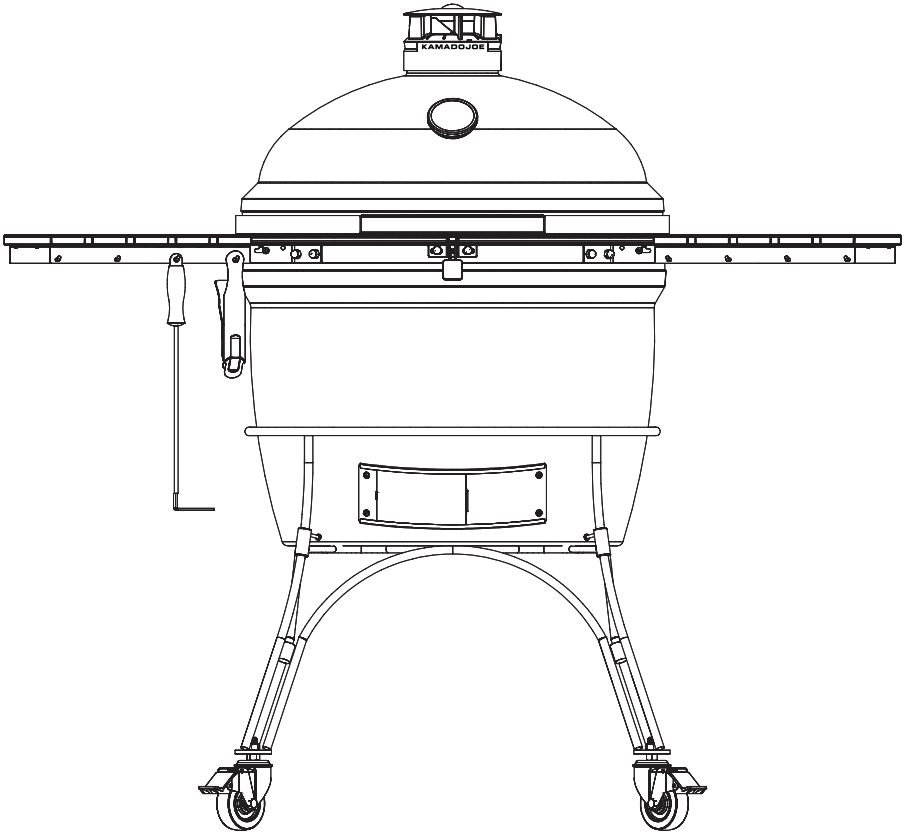


7



FÜGGETLEN VÁLTOZAT

8

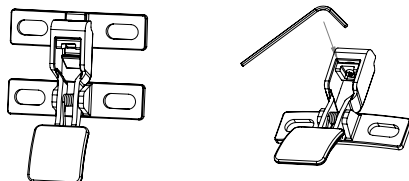


Zárbeállítások

A Classic III zárja már előre beállítottuk az ultra-szoros tömítésre. Használja ezeket az utasításokat, ha bármilyen módosításra lenne szüksége.

CLASSIC III ZÁR

A zsanérbeállításnál a meghúzáshoz és a kioldáshoz használjon imbuszkulcsot. Állítsa be az állítócsavart a zsanérlemez leengedéséhez és a távtartó hozzáadásához. A távtartó hozzáadása után szerelje vissza a zsanérlemezt az állítócsavarok meghúzásával.



Biztonsági információk

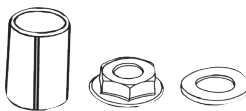
VIGYÁZAT!

A zsanért és az összekötő pántot előfeszítettük. Ha a következő utasításokat figyelmen kívül hagyják, az súlyos sérülést eredményezhet.

CSUKLÓPÁNT

A grillen ne próbálja meg szétszerelni a zsanért, és ne lazítsa meg az összekötő pántokat zsanérkioldó szerszámkészlet nélkül.

MEGJEGYZÉS: Zsanérkioldó szerszámkészlet (benne távtartó, alátét és hatlapfejű anya). Őrizze meg ezeket az alkatrészeket arra az esetre, ha később el kell távolítani a zsanért. A zsanér nem távolítható el biztonságosan ezen alkatrészek nélkül.



Az alsó felületet és az első alsó szellőzőnyílást használja emelési pontként (Ne emelje fel a grillt a zsanérnál, a szíjtartóknál vagy a fogantyúnál fogva, mivel a kupola ettől kirázkódhat a szíjból).

A 16. oldalon található utasítások szerint a kupola súlya csak kis mértékben módosítható.

TÖMÍTÉS

Öntisztulás javasolt a természetes hőcikluson keresztül. Ne használjon vegyszeres tisztítószeret a tömítésen.

Ha feltétlenül szükséges, óvatosan törölje le a kiömlött anyagot vagy nedvességet. A tisztítás során ne kaparja vagy dörzsölje a tömítést. A túlzott dörzsölés kopást okozhat.

Tisztítás és gondozás

A Kamado Joe grill minőségi anyagokból készült, így az általános ápolás és karbantartás minimális. A legjobb módja annak, hogy megvédje Kamado Joe-t az elemektől az egy grilltakaró.

A porcelán finom felületi repedezettsége a természetes jellemzők része.

ÖNTISZTULÁS

- 1 Tegyen bele faszenet és gyújtsa meg.
- 2 Szerelje be a Divide & Conquer® rugalmas sütőállványt a tartozéktartóval a felső helyzetébe és mindkét hőterelőt a tartozéktartóra.
- 3 Nyissa ki teljesen a felső és alsó szellőzőnyílásokat, és hagyja, hogy a grill belsejében, lecsukott kupolával, a hőmérséklet elérje a 315 °C értéket.
- 4 15–20 percig tartsa a hőmérsékletet kb. 315 °C körüli értéken.
- 5 Csukja be teljesen az alsó szellőzőnyílást, és várjon további 15–20 percet a felső szellőzőnyílás becsukásával.

Ez a folyamat minden, a grill belsejéből származó nem kívánt maradékot eléget. A következő sütés előtt egy általános grillkefével keféljük át a sütőrostélyt. Annak érdekében, hogy a kerámiákról eltávolítson minden maradékot, használjon puha sörtés kefét. Az eljárás után a hőterelő lemezekon nem maradhat égett maradék. A tisztítás után puha sörtés kefével kefélje le ezeket. Ha a normál használat során a hőterelők szennyezettek lettek, a következő sütésnél fordítsa meg ezeket úgy, hogy a szennyezett oldal kerüljön alulra, így a tűzből származó hő öntisztítást végez majd a terelőlemeznek azon az oldalán is.

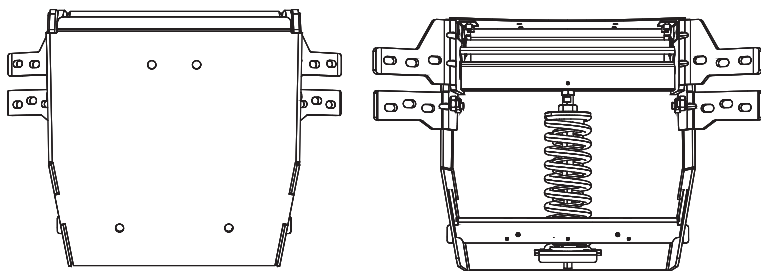
Évente egyszer vagy kétszer alaposabban tisztítsa meg a grill belsejét. Távolítsa el a belső alkatrészeket, és távolítsa el a grilltest és a belső alkatrészek között összegyűlt maradék hamut vagy törmelékét. Egy műanyag sörtés kefével tisztítsa meg a belső kerámia felületet, és a belső alkatrészek visszahelyezése előtt lapátolja vagy porszívózza ki a grill aljáról a hulladékot.

A Big Joe légzsanér-beállításai

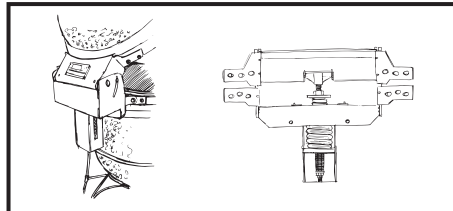
A Kamado Joe Big Joe légzsanérja már előre beállítva az ideális egyensúly és stabilitás érdekében. Kövesse az alábbi utasításokat az Ön által előnyben részesített további beállításokhoz.

Figyelem: A légzsanér nagyon feszes.

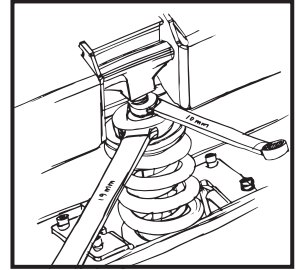
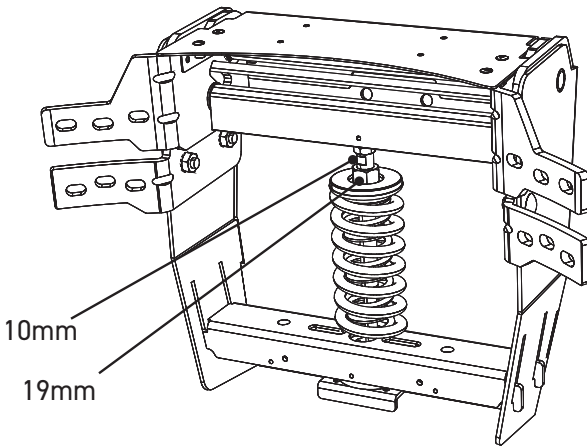
- 1 Nyissa fel a Kamado Joe Big Joe grill kupoláját.
- 2 Nyitott kupolánál helyezzen egy 10 mm-es villáskulcsot a csavar lapjára (lásd 1. kis kép).
- 3 Helyezze a 19 mm-es villáskulcsot a rugótartó tetején lévő anyára (lásd 1. kis kép).
- 4 A kupola könnyebb emeléséhez tartsa a 10 mm-es kulcsot fixen, és fordítsa el a 19 mm-es csavart az óramutató járásával egyező irányba az ábrán látható módon. Az anya egy teljes fordulata után távolítsa el a kulcsokat, és ellenőrizze a kupola működését. Ha azt szeretné, hogy a kupola nehezebben nyíljon, forgassa el az anyát az óramutató járásával ellentétes irányba. Az anya egy teljes fordulata után távolítsa el a kulcsokat, és ellenőrizze a kupola működését. Ne állítsa be az anyát úgy, hogy az hozzáérjen a csatlakozóhoz (lásd 1. kis kép).



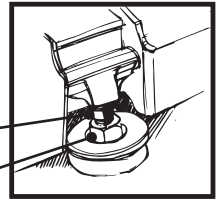
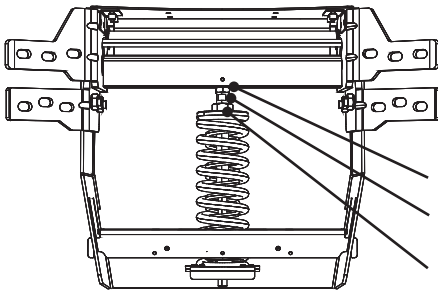
ALTERNATÍV LÉGZSANÉR-BEÁLLÍTÁSOK



ALTERNATÍV LÉGZANÉR-BEÁLLÍTÁSOK



ALTERNATÍV LÉGZANÉR-BEÁLLÍTÁSOK



**SZÜKSÉGES SZERSZÁMOK: 10 MM-ES CSAVARKULCS ÉS 19 MM-ES
CSAVARKULCS**

Gyorsindítási útmutató

BEINDÍTÁS

- 1 Töltse fel a tűzteret faszénnel, majd egy-vagy két tűzgyújtó segítségével gyújtsa be.
- 2 Hagyja nyitva a kupolát 10 percig úgy, hogy az alsó szellőzőnyílást teljesen kinyitja.
- 3 Csukja le a kupolát.
- 4 Kezdje el becsukni a felső és az alsó szellőzőnyílást, ha a kupola hőmérséklete a célhőmérséklettől 10 °C értéken belül van.

HŐTARTÁS

A hőmérséklet csökkentéséhez a szellőzőnyílások becsukásával csökkentse a légáramlást a grillen keresztül. Ellenkezőleg, a nyílások nyitásával növelheti a hőmérsékletet. A szellőzőnyílások beállításai nem azonnal érvényesülnek. Hagyjon szellőzőnyílások változtatásának 10–15 percet, hogy hatással legyenek a hőmérsékletre. Mivel a kerámia Kamado Joe jól tartja a hőt, eltarthat egy ideig, amíg teljesen fel nem melegszik. A sütés megkezdése előtt adjon 20–40 percet a grilljének, hogy stabilizálódjon a hőmérséklete.

LEHÚTÉS

- 1 A sütés befejeztével csukja be teljesen az alsó szellőzőnyílást.
- 2 Ha a hőmérséklet 205 °C alá esik, majdnem teljesen csukja be a felső szellőzőnyílást, de hagyjon egy kis rést.
- 3 Ne takarja le a grillt, amíg a kupola nem hűlt le annyira, hogy meg lehessen érinteni.

**A HŐMÉRSÉKLET CSÖKKENTÉSÉHEZ CSUKJA BE A SZELLŐZŐNYÍLÁSOKAT.
A HŐMÉRSÉKLET EMELÉSÉHEZ NYISSA KI A SZELLŐZŐNYÍLÁSOKAT.**

GYORS HŐMÉRSÉKLETI ÚTMUTATÓ

A sütési technikák hozzávetőleges hőmérsékletei.

GRILLEZÉS 205–315 °C

PIRÍTÁS 260–400 °C

TÉSZTASÜTÉS 150–400 °C

ROSTONSÜTÉS 150–230 °C

FÜSTÖLÉS 105–135 °C

VIGYÁZAT!

KILEVEGŐZTETÉS

Ha 175 °C-nál magasabb hőmérsékleten sütünk, minden alkalommal, amikor felemeljük a kupolát, óvatosan nyissuk ki a grillt (vagy emelgessük a tetejét), hogy megakadályozzuk a lángfelcsapódást.

FOLYADÉKOK

Ne melegítsen folyadékot a grillben vagy a grillen.

SZIKRÁK

Ügyeljen a szikrákra és a parázsra, ha a grillt fából készült padlózatot használja.

MŰKÖDTETÉS KÖZBEN

Felnyitott kupolával ne hagyja a grillt felügyelet nélkül.

KAMADOJOE®

[KAMADOJOE.COM](https://www.kamadojoe.com)

[KAMADOJOE.COM/CONTACT](https://www.kamadojoe.com/contact)

[KAMADOJOE.COM/WARRANTY](https://www.kamadojoe.com/warranty)

[MASTERBUILT.COM/COLLECTIONS/PARTS](https://www.masterbuilt.com/collections/parts)

KAMADO JOE • 5032 MILGEN CT. • COLUMBUS, GA 31907

BIG JOE II-BRUKSANVISNING



KAMADOJOE®

9804200026 210511-GH

Innholdsfortegnelse

Advarslar	3
Deleliste og nødvendige verktøy	7
Montering av grillen	8
Monteringsinstruksjoner	9
Sikkerhetsinformasjon	14
Rengjøring og vedlikehold	15
Justeringer av hengsel	16
Hurtigstartveiledning	18
Kort temperaturveiledning	19

Grillen leveres uten trekull.



ADVARSEL

- Denne bruksanvisningen inneholder viktig informasjon, nødvendig for riktig montering og trygg bruk av apparatet.
- Les og følg alle advarsler og instruksjoner før montering og bruk av apparatet.
- Ta vare på denne bruksanvisningen for fremtidig referanse.



Følges ikke disse instruksjonene, kan det føre til brann, eksplosjon eller brannfare som kan forårsake skade på eiendom, personskade eller død.



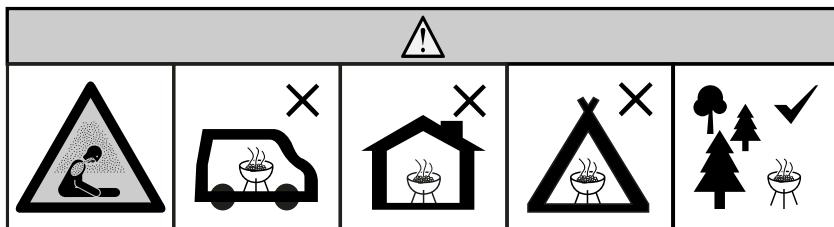
KARBONMONOKSIDFARE

- Brennende trekull eller flis gir fra seg karbonmonoksid, som ikke har lukt og kan forårsake død.
- Benyttes kun på godt ventilerte steder utendørs.

ADVARSLER OG VIKTIGE SIKKERHETSTILTAK

LES ALLE INSTRUKSJONENE

- **ADVARSEL!** Denne grillen blir svært varm. Ikke flytt på den når den er i bruk.
- **ADVARSEL!** Ikke bruk innendørs!
- **ADVARSEL!** Ikke bruk alkohol, bensin eller andre lignende væsker for å tenne på eller gjenopptenne grillen.
- **ADVARSEL!** Hold barn og dyr unna grillen til enhver tid. IKKE la barn benytte grillen. Tett tilsyn er nødvendig når barn eller dyr eller i området hvor grillen benyttes.



- Ikke bruk grillen inne i et avgrenset og/eller oppholdsområde, f.eks. hus, telt, campingvogn, bobil, båter. Fare for dødelig karbonmonoksidforgiftning.
- Benytt alltid grillen i samsvar med alle gjeldende lokale og landsdekkende brannforskrifter.
- Før hver bruk kontrolleres alle muttere, skruer og bolter for å sikre at de er stramme og sikre.
- Bruk aldri grillen under overliggende konstruksjoner, slik som tak, carport, markiser eller overheng.
- Grillen er KUN FOR UTENDØRS BRUK.
- Ha en minsteavstand på 3 m. fra overliggende konstruksjoner, vegger, gelender eller andre strukturer.
- Ha en minsteavstand på 3 m. til alle brennbare materialer slik som tre, tørre planter, gress, børster, papir eller lerret.
- Bruk aldri grillen til noe annet enn den tiltenkte bruken. Denne grillen er IKKE kommersielt bruk. Tilkoblet tilbehør som ikke er levert av Kamado Joe anbefales IKKE, og kan forårsake skade.

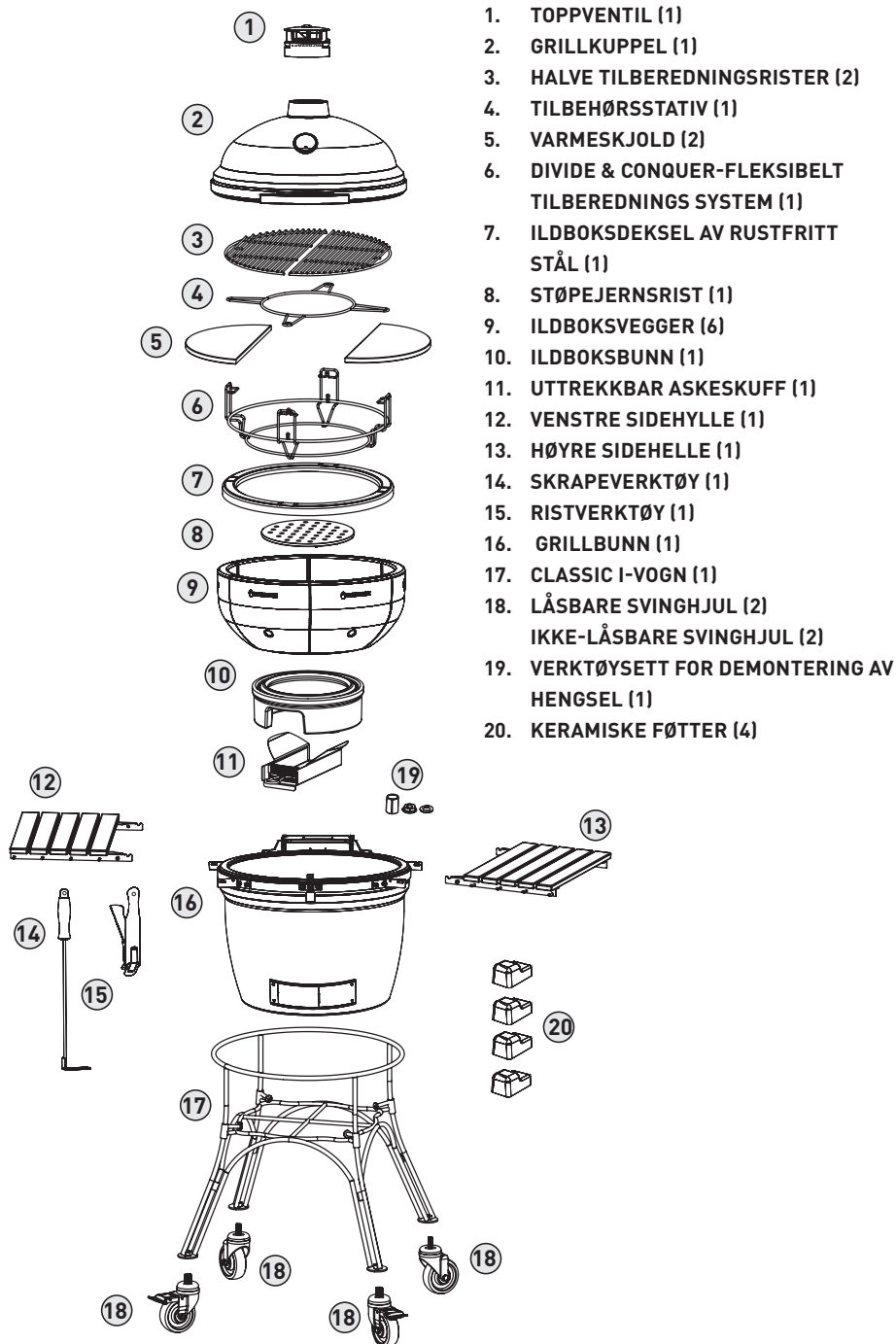
ADVARSLER OG VIKTIGE SIKKERHETSTILTAK

- Bruk av alkohol, reseptbelagte eller ikke-reseptbelagte legemidler kan redusere brukerens evne til å montere eller benytte grillen på en sikker måte.
- Ha alltid et brannslukningsapparat tilgjengelig når grillen er i bruk.
- Ved tilberedning med olje eller fett, må et brannslukningsapparat av typen BC eller ABC være tilgjengelig.
- I tilfelle brann i olje eller fett, må det ikke slukkes med vann. Ring umiddelbart til brannvesenet. Et brannslukningsapparat av typen BC eller ABC kan i noen tilfeller dempe brann.
- Bruk grillen på en jevn, ikke-brennbar stabil overflate slik som jord, betong, heller eller stein. Det kan være en asfaltert overflate ikke er egnet for dette formålet.
- Grillen MÅ stå på bakken. Ikke plasser grillen på bord eller benker. IKKE flytt grillen over ujevne overflater.
- Ikke bruk grillen på tre- eller brennbare overflater.
- Hold grillens område klart og fri fra brennbare materialer slik som bensin og annen brennbar damp og væske.
- Ikke forlat grillen uten tilsyn.
- IKKE la andre utføre aktiviteter rundt grillen eller etter at den har vært i bruk, før den er avkjølt.
- Bruk aldri kokekar av glass, plastikk eller keramikk i grillen. Plasser aldri kokekar i grillen når den er i bruk.
- Flytt aldri grillen mens den er i bruk. La grillen kjøles fullstendig ned (under 45°C) før den flyttes eller lagres.
- Ikke lagre grillen med varm aske eller trekull inne i grillen. Settes kun til lagring når ilden er fullstendig utbrent og alle overflater er kalde.
- Bruk aldri grillen som en varmekilde. LES OM KARBONMONOKSIDFAREN.
- Grillen er VARM når den er i bruk. Den forblir VARM en stund etter og under nedkjølingsprosessen. Vis FORSIKTIGHET. Bruk beskyttelseshansker/-votter.
- IKKE dunk bort i eller ha sammenstøt med grillen for å unngå personskade, skade på grillen eller søl/sprut av varm væske.
- Vær forsiktig når mat fjernes fra grillen. Alle overflater er VARME og kan forårsake brannskader. Bruk beskyttelseshansker/-votter eller lange, stødige tilberedningsverktøy for beskyttelse fra varme overflater eller sprut fra tilberedningsvæsker.
- Ikke berør VARME overflater.

ADVARSLER OG VIKTIGE SIKKERHETSTILTAK

- Grillen er VARM under bruk. For å unngå brannskader holdes ansikt og kropp borte fra ventiler og når lokket åpnes. Damp og varm luft støtes ut under bruk.
- Ved tilberedning over 175°C åpnes grillen forsiktig (eller holdes åpen på gløtt) når du åpner grillkuppelen, for å forhindre nedslag – en bølge av hvit varm varme forårsaket av et hurtig oksygentilstrømning. Dette unngås ved å åpne lokket delvis 5–8 cm, og la varmen slippe ut i omtrent 5 sekunder.
- Spjeldene er VARME når grillen er i bruk og under avkjøling. Ha på beskyttelseshansker ved justering.
- Grillen har en åpen flamme. Hold hender, hår og ansikt borte fra flammen. IKKE len deg over grillen når den tennes opp. Løst hår og klær kan ta fyr.
- IKKE forhindre gjennomganger for forbrenning og ventilasjon.
- Ikke tildekk kokeplatene med metallfolie. Dette vil fange varmen og kan forårsake skade på grillen.
- Etterlat aldri VARMT kull eller aske uten tilsyn.
- Brensel bør være rødgldende i minst 30 minutter før bruk.
- Ikke legg på maten før brenselet har et lag av aske.
- Ikke fjern askeskuffen mens asken og trekullet er VARMT.
- Bruk beskyttelseshansker når grillen brukes eller det arbeides med ild. Bruk beskyttelseshansker eller lange stødige verktøy når det legges til ved eller trekull.
- Bruk aldri tennvæske, bensin, alkohol eller andre svært flyktige væsker for å tenne opp trekull. Disse væskene kan eksplodere og forårsake skade eller død.
- Maksimal trekullmengde for Big Joe er 4,5 kg. Overfyll aldri trekullristen. Dette kan føre til alvorlig personskaade samt skade på grillen.
- Avhending av kald aske skjer ved å legge det i aluminiumsfolie som bløtlegges i vann før den kastes i en ikke-brennbar avfallsbeholder.
- SloRoller bør ikke brukes ved temperaturer over 260°C

TA VARE PÅ DISSE INSTRUKSJONENE



Montering av grillen

PAKK UT GRILLEN DIN

1 Skjær av plastbåndene og fjern topp- og sideveggene til fraktesken.

2 Legg grillboksen til side.

3 Åpne grillkuppelen og fjern delene fra innsiden av grillen. Håndter de innvendige keramikkdelenene med forsiktighet.

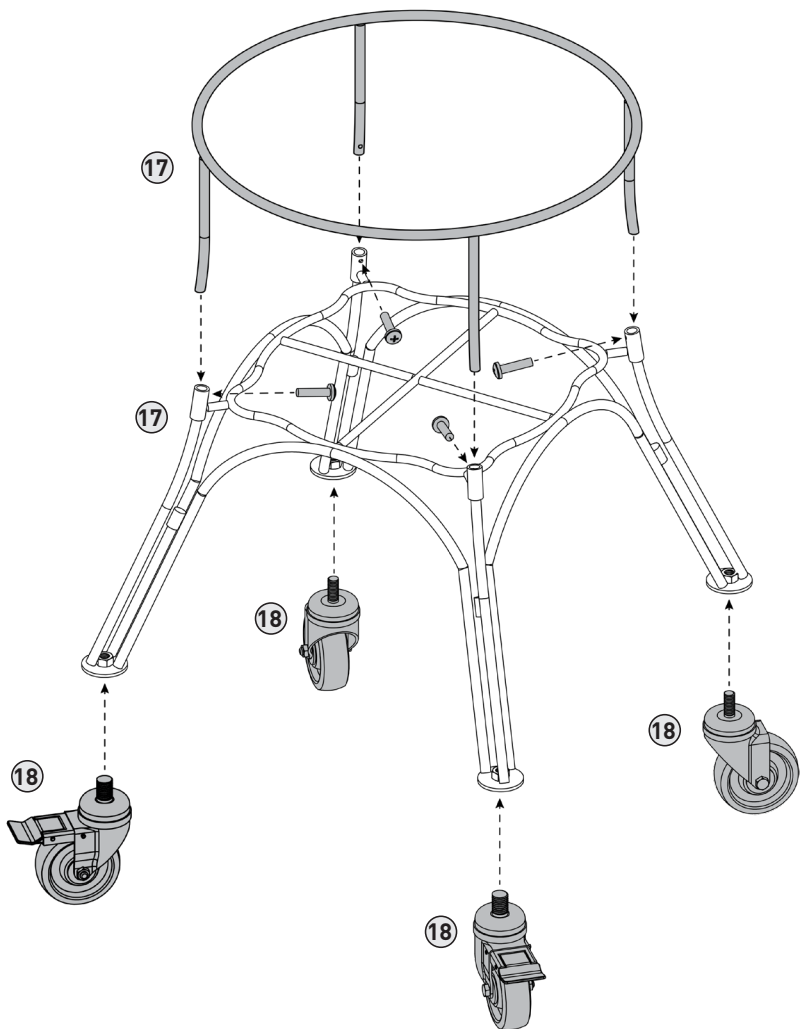
KAMADO JOE GRILL MED VOGN

1 Når grillens innvendige komponenter er fjernet, løftes grillen ut av esken som legges til side. På grunn av grillens vekt anbefaler vi sterkt at to personer utfører denne oppgaven. IKKE løft grillen etter sidehyllene. Bruk bakre hengselog forsiden av bunnavtrekket somløftepunkter.

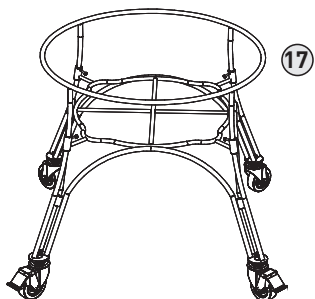
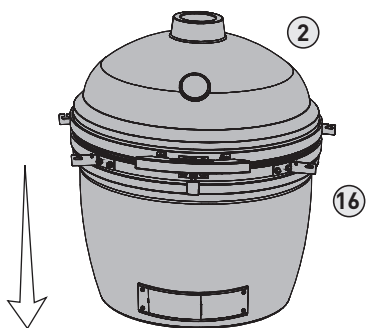
2 Monter grillvognen.

3 Bruk samme løfteteknikk som tidligere og løft grillen inn i vognen. Juster grillen i vognen slik at grillens nederste avtrekk er vendt mot forsiden av vognen. Forsiden av vognen er siden som har to låsbare hjul.

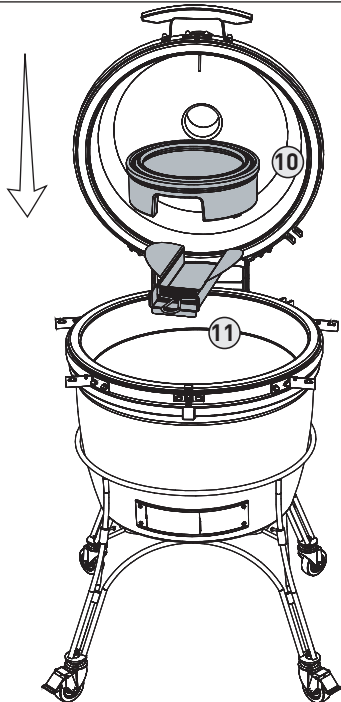
1



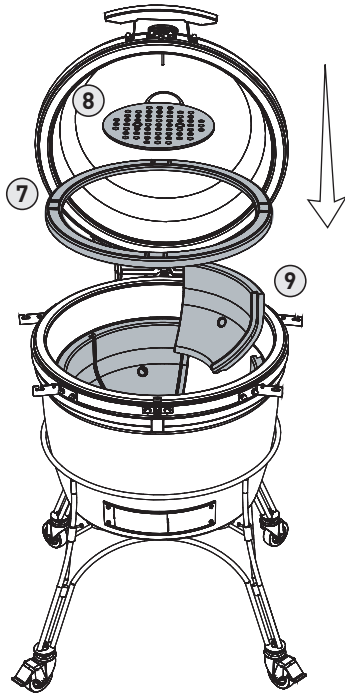
2



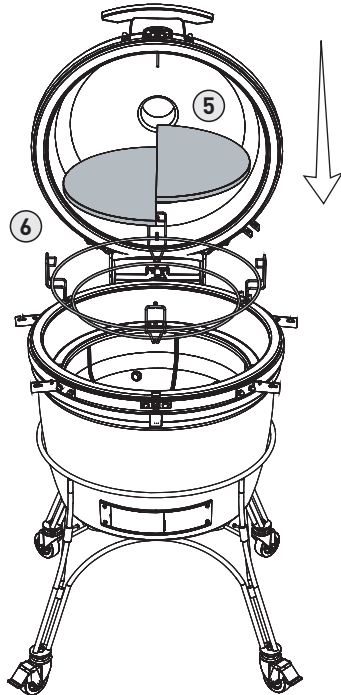
3



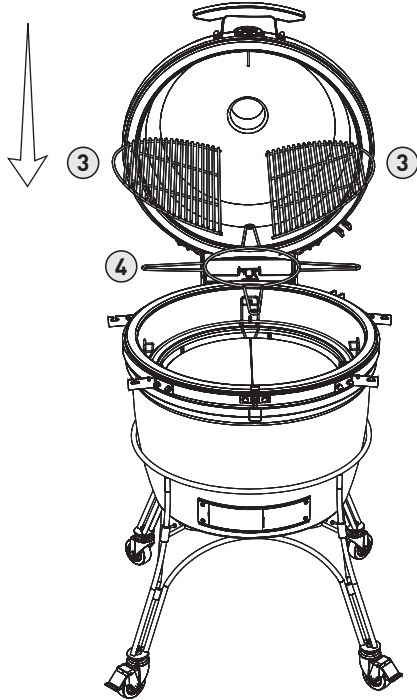
4



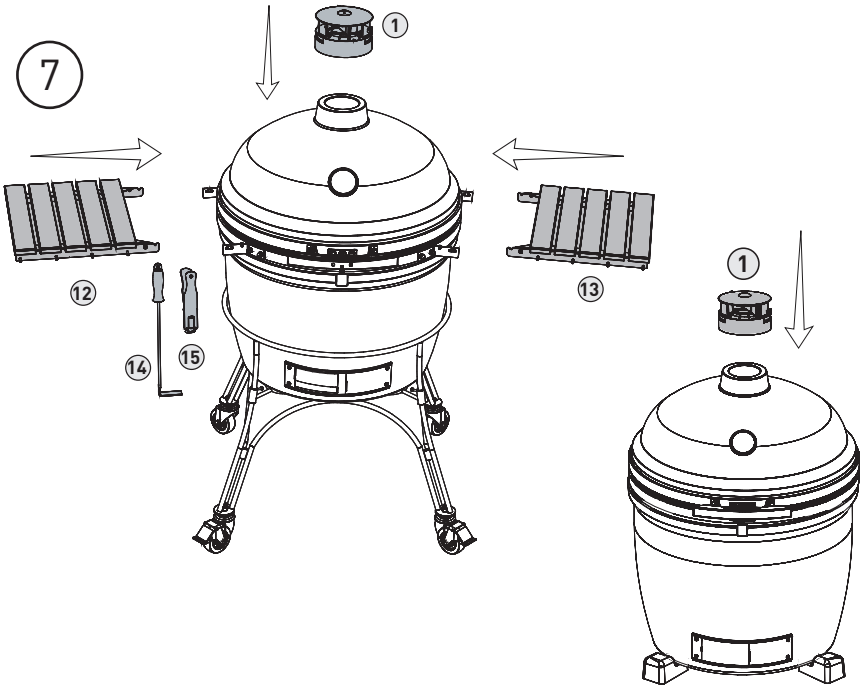
5



6

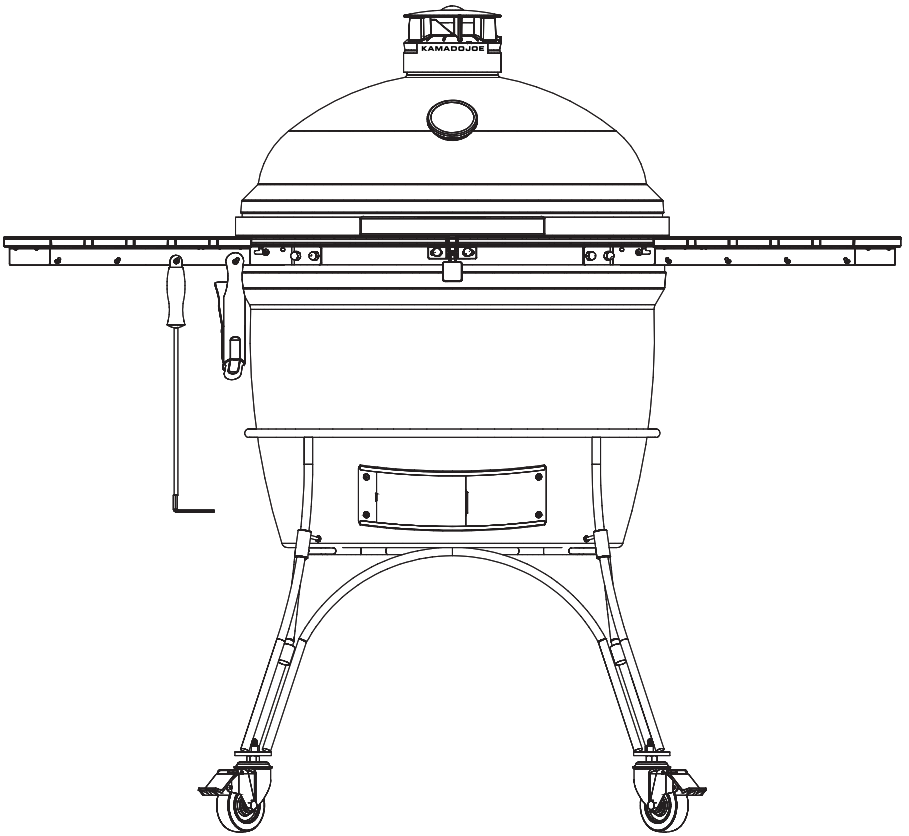


7



UAVHENGIG VERSJON

8

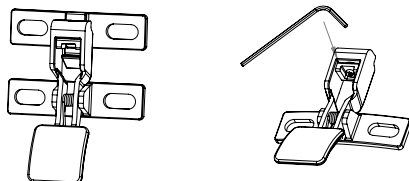


Justeringer av klinke

Klinken på din Classic III er allerede forhåndsinnstilling for ultrastram forsegling. Bruk disse instruksjonene dersom det er nødvendig med justeringer.

CLASSIC III-KLINKE

Bruk en unbrakonøkkel for å stramme og løsne klinkeinnstillingene. Juster justerings-skruen for å senke klinkeplaten og legge til avstandsstykke. Når avstandsstykket er montert, monteres klinkeplaten ved å stramme justeringsskruen.



Sikkerhetsinformasjon

FORSIKTIG

Hengsel og bånd er under høy spenning. Følges ikke rekkefølgen på instruksjonene kan dette føre til alvorlig skade.

HENGSEL

Ikke forsøk å demontere hengselet eller løsne båndene fra grillen uten verktøysettet for montering av hengsel.

MERK: Verktøysett for demontering av hengsel (avstandsstykke, skive og sekskantmutter er inkludert). Ta vare på disse delene i tilfelle hengselet trenger å fjernes senere. Hengselet kan ikke fjernes trygt uten disse delene. Bruk ventilåpningene som vender ned og i front som løftepunkt (ikke løft grillen etter hengslene, båndbraketter eller håndtak, siden dette kan skade kuppelen eller løsne den fra båndet).



Kun små justeringer på kuppelens vekt kan gjøres ved å følge instruksjonene på side 16.

PAKNING

Selvrengjøring gjennom naturlig varmesyklus anbefales.

Ikke bruk kjemisk baserte rengjøringsmidler på pakningen.

Hvis helt nødvendig, tørkes eventuelt søl eller fuktighet forsiktig bort. Ikke skrubber eller slipp pakningen ved rengjøring. Omfattende gnidning kan forårsake slitasje.

Rengjøring og vedlikehold

Din Kamado Joe-grill er laget av kvalitetsmaterialer, slik at generelt pleie og vedlikehold er minimalt. Beste metode for å beskytte din Kamado Joe for elementene er med et grilltrekk.

Porselen med små sprekker, kalt krakelering, er en del av den naturlige karakteristikken.

SELVRENSENDE

- 1 Legg til trekull og tenn den.
- 2 Monter det fleksible tilberedningssystemet Divide & Conquer® i øvre posisjon, og begge varmeskjoldene på tilbehørsstativet.
- 3 Åpen topp- og bunnlufteventilene fullt, og la temperaturen inne i grillen øke til 315°C med kuppelen lukket.
- 4 Hold temperaturen rundt 315°C i 15–20 minutter.
- 5 Lukk bunnventilen fullstendig og vent ytterligere 15–20 minutter før du lukker toppventilen.

Denne prosessen brenner bort eventuelle uønskede rester fra innsiden av grillen din. Før du tilbereder mat neste gang, børstes tilberedningsristen med en vanlig grillbørste. Bruk en myk børste på keramikken for å fjerne eventuelle rester. Varmeskjoldplatene bør også få fjernet rester etter denne prosessen. Børst dem med en myk børste etter rensingen. Når varmeskjoldene blir skitne under normal bruk, snus de med den skitne siden ned til neste gang du tilbereder mat. Varmen fra ilden vil selvrense den delen av varmeskjoldplaten.

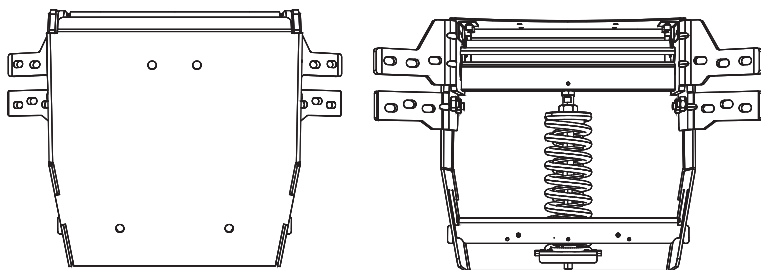
En eller to ganger årlig bør du utføre en mer grundig rengjøring av grillens innside. Fjern de innvendige komponentene og fjern eventuelle rester fra aske eller smuss som har samlet seg mellom grillkroppen og de indre komponentene. Bruk en plastbørste til å rengjøre den keramiske overflaten. Sop eller støvsug rester fra grillens bunn før du skifter de indre komponentene.

Justering av Big Joe-løftehengsel

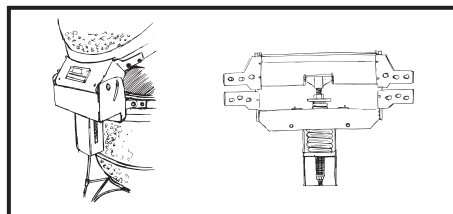
Løftehengselet på din Kamado Big Joe er allerede forhåndsjustert for ideell balanse og stabilitet. Følg disse instruksjonene for eventuelle ytterligere justeringer for å tilpasse dine personlige preferanser.

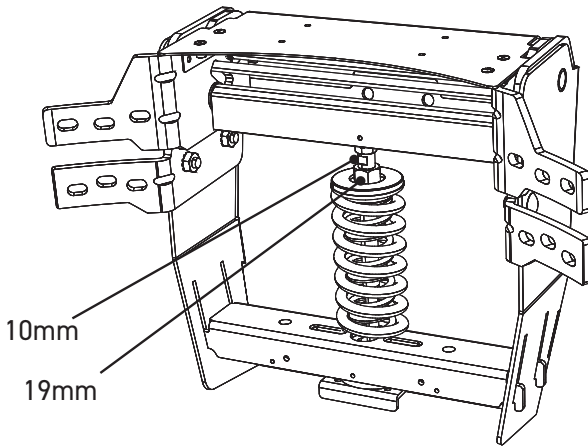
Forsiktig: Løftehengselet er under høy spenning.

- 1 Åpne kuppelen til din Kamado Joe Big Joe-grill.
- 2 Når kuppelen er åpen, plasseres en 10 mm fastnøkkel på skruens flater (se illustrasjon 1).
- 3 Plasser 19 mm fastnøkkelen på mutteren på toppen av fjærholderen (se illustrasjon 1).
- 4 For å gjøre kuppelen lettere å løfte, holdes 10 mm fastnøkkelen på plass, mens 19 mm fastnøkkelen roteres med klokken som vist. Fjern fastnøkklene og kontroller kuppelens funksjon for hver fulle rotasjon av mutteren. Hvis du vil at kuppelen skal føles tyngre dreies mutteren mot klokken. Fjern fastnøkklene og kontroller kuppelens funksjon for hver fulle rotasjon av mutteren. Ikke juster mutteren slik at den kommer i kontakt med tilkoblingen (se illustrasjon 1).

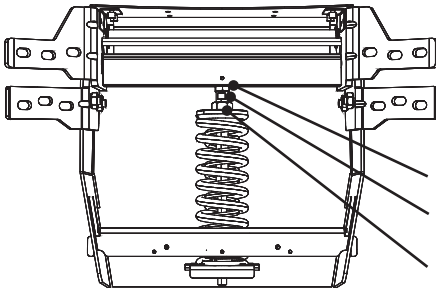
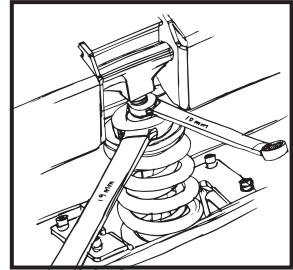


ALTERNATIV HINGE





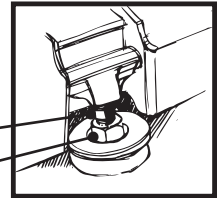
ALTERNATIV HINGE



Illustrasjon 1

- Mutter under tilkobling
- Flater på skruen
- Justeringsmutter på fjærholderen

ALTERNATIV HINGE



**NØDVENDIGE VERKTØY: 10 MM FASTNØKKEL OG EN 19 MM FASTNØKKEL
KAN FUNGERE**

Hurtigstartveiledning

STARTE DEN OPP

- 1 Legg til trekull i ildboksen og fyr opp ved bruk av en eller to ildstartere.
- 2 La kuppelen stå i åpen stilling i 10 minutter med bunnventilen fullstendig åpent.
- 3 Lukk kuppelen.
- 4 Start å lukke topp- og bunnventilen når kuppelens temperatur er innen 10°C fra målet ditt.

OPPRETTHOLDE TEMPERATUR

For å redusere temperaturen, reduseres luftstrømmen gjennom grillen ved å lukke ventilene. På motsatt måte heves temperaturen ved å åpne ventilene. Justering av ventilene gir ikke umiddelbar virkning. Vent 10–15 minutter før endringen begynner å virke. Siden din keramiske Kamado Joe holder så godt på varmen, kan det ta noe tid før den blir fullstendig varm. Gi grillen din 20–40 minutter for å stabilisere temperaturen før du starter tilberedningen.

KJØLE DEN NED

- 1 Når tilberedningen er ferdig lukkes bunnventilen fullstendig.
- 2 Når temperaturen faller under 205°C lukkes toppventilen nesten fullstendig, la det kun være igjen en liten sprekk.
- 3 Ikke tildekk grillen før kuppelen er så kald at den kan berøres.

**LUKK VENTILENE FOR Å REDUSERE TEMPERATUREN.
ÅPNE VENTILENE FOR Å HEVE TEMPERATUREN.**

KORT TEMPERATURVEILEDNING

Omtrentlige temperaturer for tilberedningsteknikker.

GRILLING 205–315°C

BRUNING 260–400°C

BAKING 150–400°C

STEKING 150–230°C

RØYKING 105–135°C

FORSIKTIG

GLØTT

Ved tilberedning over 175°C åpnes grillen forsiktig (eller åpne på gløtt) hver gang du løfter grillkuppelen for å forhindre nedslag.

VÆSKER

Ikke søl væsker på innsiden eller på grillen når den er varm.

GNISTER

Vær oppmerksom på gnister og glør når den benyttes på en treterrasse.

UNDER BRUK

Ikke la grillen være uten tilsyn når grillkuppelen er åpen.

KAMADOJOE®

KAMADOJOE.COM
KAMADOJOE.COM/KONTAKT
KAMADOJOE.COM/GARANTI
KAMADOJOE.COM/UTVALG/DELER

KAMADO JOE • 5032 MILGEN CT. • COLUMBUS, GA 31907

PODRECZNIK UŻYTKOWNIKA BIG JOE II



KAMADOJOE®

9804200026 210511-GH


Spis treści

Ostrzeżenia	3
Lista części i wymaganych narzędzi	7
Instrukcje regulacji grilla	8
Instrukcje montażu	9
Informacje bezpieczeństwa	14
Czyszczenie i pielęgnacja	15
Regulacja zawiasu	16
Przewodnik szybkiego uruchomienia	18
Krótkie instrukcje odnośnie temperatur	19

Węgiel do Grilla nie jest w zestawie grilla

OSTRZEŻENIE

- Niniejsza instrukcja zawiera ważne informacje, niezbędne do prawidłowego montażu i bezpiecznego użytkowania urządzenia.
- Przed montażem i użyciem urządzenia, przeczytaj i przestrzegaj wszystkich ostrzeżeń i instrukcji.
- Zachowaj tę instrukcję do wykorzystania w przyszłości.

 **Nieprzestrzeganie tych instrukcji może spowodować zagrożenie pożarem, wybuchem lub poparzeniem, które mogą skutkować uszkodzeniami mienia, obrażeniami ciała lub śmiercią.**

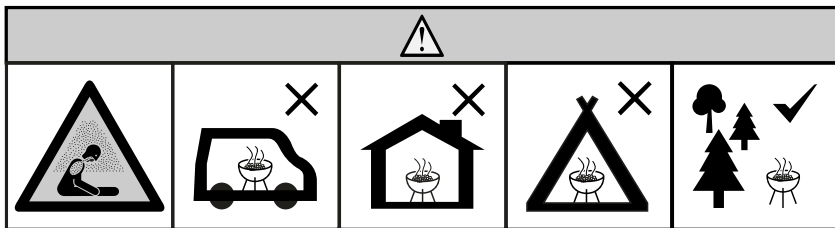
ZAGROŻENIE TLENKIEM WĘGLA

- Płonący węgiel drzewny lub wióry drzewne wydzielają tlenek węgla, który nie ma zapachu i może spowodować śmierć.
- Używaj urządzenia tylko na zewnątrz, gdzie jest dobrze wentylowane.

! OSTRZEŻENIA I WAŻNE ZABEZPIECZENIA

PRZECZYTAJ WSZYSTKIE INSTRUKCJE

- **OSTRZEŻENIE!** Niniejsze barbecue staje się bardzo gorące. Nie przesuwaj go w trakcie używania.
- **OSTRZEŻENIE!** Nie używaj w pomieszczeniach!
- **OSTRZEŻENIE!** Nie używaj alkoholu, benzyny lub innych podobnych płynów do rozpalania lub ponownego rozpalania grilla.
- **OSTRZEŻENIE!** Trzymaj dzieci i zwierzęta domowe z dala od grilla przez cały czas. NIE pozwalaj dzieciom obsługiwać grilla. Konieczny jest ścisły nadzór, gdy dzieci lub zwierzęta znajdują się w obszarze używania grilla.



- Nie używaj grilla w przestrzeniach zamkniętych i / lub mieszkalnych, np. domy, namioty, przyczepy kempingowe, łódzie. Niebezpieczeństwo zatrucia tlenkiem węgla.
- Zawsze używaj grilla zgodnie ze wszystkimi obowiązującymi lokalnymi, stanowymi i federalnymi przepisami przeciwpożarowymi.
- Przed każdym użyciem, sprawdź wszystkie nakrętki i śruby, aby upewnić się, że są dociśnięte i zabezpieczone.
- Nigdy nie używaj grilla pod konstrukcją, taką jak pokrycia dachowe, wiaty garażowe, markizy lub zwisy.
- Grill służy WYŁĄCZNIE DO UŻYTKU ZEWNĘTRZNEGO.
- Zachowaj minimalną odległość 3 m od konstrukcji napowietrznych, ścian, szyn lub innych konstrukcji.
- Zachowaj minimum 3 m odstępów od wszystkich palnych materiałów, takich jak drewno, suche rośliny, trawa, szczotki, papier lub płótno.
- Nigdy nie używaj grilla do celów innych niż te, do których został przeznaczony. Ten grill NIE jest przeznaczony do użytku komercyjnego.
- Akcesoria niedostarczone przez firmę Kamado Joe NIE są zalecane i mogą spowodować obrażenia.

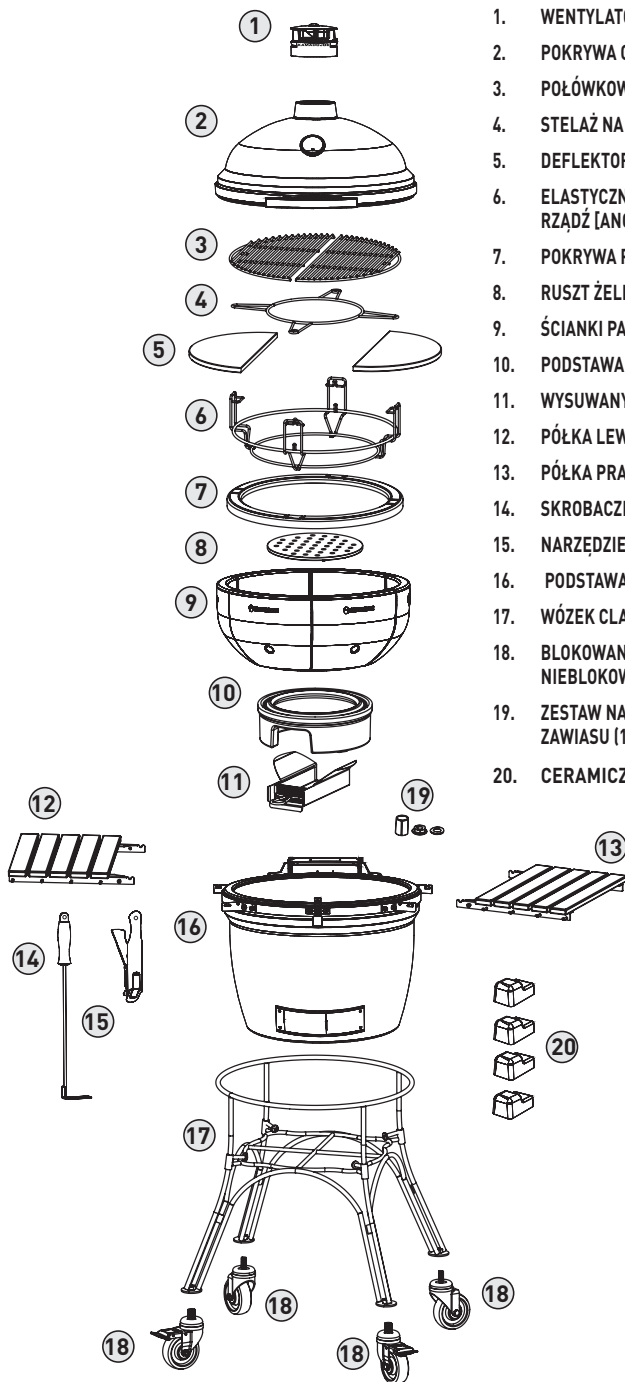
OSTRZEŻENIA I WAŻNE ZABEZPIECZENIA

- Używanie alkoholu, leków wydawanych na receptę lub bez recepty, może osłabić zdolność użytkownika do zmontowania lub bezpiecznego korzystania z grilla.
- Podczas obsługi grilla należy zawsze mieć dostęp do gaśnicy.
- Podczas gotowania na oleju lub smalcu należy mieć łatwo dostępną gaśnicę typu BC lub ABC.
- W przypadku oleju lub smalcu ognia, nie należy gasić wodą. Natychmiast wezwać straż pożarną. Gaśnice typu BC lub ABC mogą w pewnych okolicznościach rozprzestrzeniać ogień.
- Używaj grilla na równej, niepalnej, stabilnej powierzchni, takiej jak piasek, beton, cegła lub skała. Powierzchnia asfaltowa (czarna) może nie być odpowiednia do tego celu.
- Grill MUSI stać na ziemi. Nie umieszczać na stołach i ladach. NIE przemieszczaj grilla po nierównych powierzchniach.
- Nie używaj grilla na drewnianych lub łatwopalnych powierzchniach.
- Grill należy utrzymywać w czystości, wolny od materiałów łatwopalnych, takich jak benzyna i inne łatwopalne ciecze i opary.
- Nie zostawiaj grilla bez nadzoru
- NIE pozwalaj nikomu prowadzić żadnych zajęć wokół grilla podczas lub po jego użyciu, dopóki nie ostygnie.
- Przy grillu nie wolno używać naczyń szklanych, plastikowych, ani ceramicznych. Nigdy nie umieszczaj pustych naczyń w grillu podczas używania go.
- Nigdy nie przemieszczaj grilla podczas używania. Przed przeniesieniem lub przechowywaniem, pozwól na całkowite ostygnięcie urządzenia (poniżej 45 ° C).
- Nie przechowuj grilla z gorącym popiołem lub węglem drzewnym. Przechowuj tylko wtedy, gdy ogień jest całkowicie wygasły i wszystkie powierzchnie są zimne.
- Nigdy nie używaj grilla do ogrzewania PRZECZYTAJ O ZAGROŻENIACH TLENKIEM WĘGLA.
- Grill jest GORĄCY podczas użytkowania i pozostanie GORĄCY przez pewien czas po tym czasie oraz podczas procesu chłodzenia. Używaj ROZWAGI. Noś rękawice ochronne / rękawice z jednym palcem.
- NIE uderzaj ani nie stukaj w grilla, aby zapobiec obrażeniom ciała, uszkodzeniu grilla lub rozlaniu / rozpryskaniu gorącego płynu do gotowania.
- Ostrożnie zdejmuj jedzenie z grilla. Wszystkie powierzchnie są GORĄCE i mogą powodować oparzenia. Używaj rękawic ochronnych / rękawic z jednym palcem lub długich, wytrzymałych narzędzi do gotowania, w celu ochrony przed gorącymi powierzchniami lub rozpryskami płynów kuchennych.

OSTRZEŻENIA I WAŻNE ZABEZPIECZENIA

- Nie dotykaj GORĄCYCH powierzchni.
- Grill jest GORĄCY podczas użytkowania. Aby uniknąć oparzeń, trzymaj twarz i ciało z dala od otworów wentylacyjnych oraz podczas otwierania pokrywy. Para i gorące powietrze są wydalane podczas użytkowania grilla.
- Podczas pieczenia powyżej 180 ° C, ostrożnie otwórz pokrywę lub przecyś (ruszt) za każdym razem, gdy podnosisz pokrywę grilla, aby zapobiec cofaniu się płomienia na skutek przyptywu gorącego powietrza spowodowanego przyptywem tlenu. Częściowe otwarcie pokrywy na ok 5-8 cm przez około 5 sekund pozwoli na ucieczkę ciepła i powinno temu zapobiec.
- Tłumiki powietrza są GORĄCE, podczas gdy grill jest używany oraz podczas chłodzenia. Podczas regulacji należy nosić rękawice ochronne.
- Grill używa otwartego płomienia. Trzymaj ręce, włosy i twarz z dala od ognia. NIE pochylaj się nad grillem podczas rozpalania. Luźne włosy i ubranie mogą się zapalić.
- NIE WOLNO blokować przepływu gazów spalania i wentylacji.
- Nie przykrywaj stojaków do gotowania folią metalową. Spowoduje to zatrzymanie ciepła i może powodować uszkodzenie grilla.
- Nigdy nie zostawiaj GORĄCYCH węgli lub popiołów bez nadzoru.
- Przed użyciem, paliwo grilla powinno być czerwone od gorąca, przez co najmniej 30 minut.
- Nie gotuj, zanim paliwo nie pokryje się popiołem.
- Dopóki węgle i popiół są GORĄCE, nie wysuwaj szuflady popielnika.
- Używaj rękawic ochronnych podczas obsługi grilla lub pracy z ogniem. Podczas dodawania drewna lub węgla drzewnego, używaj rękawic ochronnych lub długich, wytrzymałych narzędzi.
- Nigdy nie używaj płynów do rozpalania węgla drzewnego; benzyny, alkoholu lub innych bardzo łatwych płynów do zapalania węgla drzewnego. Płyny takie mogą wybuchnąć i spowodować obrażenia lub śmierć.
- Maksymalna ilość węgla drzewnego do Big Joe wynosi 4.5 kg. Nigdy nie przepetniaj nadmiernie rusztu na węgiel drzewny. Może to spowodować poważne obrażenia oraz uszkodzenie grilla.
- Zimne popioły należy usuwać umieszczając je w folii aluminiowej, mocząc w wodzie i wyrzucając do niepalnego pojemnika.
- SloRoller nie powinien być używany w temperaturach ponad 260°C.

PRZECHOWUJ NINIEJSZE INSTRUKCJE



1. WENTYLATOR GÓRNY (1)
2. POKRYWA GRILLA (1)
3. POŁÓWKOWY RUSZT GRILLOWANIA (2)
4. STELAŻ NA AKCESORIA (1)
5. DEFLEKTORY CIEPŁA (2)
6. ELASTYCZNY SYSTEM GOTOWANIA TYPU DZIEL I RZĄDZ [ANG. DIVIDE & CONQUER] (1)
7. POKRYWA PALENISKA ZE STALI NIERDZEWNEJ (1)
8. RUSZT ŻELIWNY (1)
9. ŚCIANKI PALENISKA (6)
10. PODSTAWA PALENISKA (1)
11. WYSUWANY POPIELNIK (1)
12. PÓŁKA LEWA BOCZNA (1)
13. PÓŁKA PRAWA STRONA (1)
14. SKROBACZKA (1)
15. NARZĘDZIE DO RUSZTU (1)
16. PODSTAWA GRILLA (1)
17. WÓZEK CLASSIC II (1)
18. BLOKOWANE KÓŁKA OBROTOWE (2)
NIEBLOKOWANE KÓŁKA OBROTOWE (2)
19. ZESTAW NARZĘDZI DO DEMONTAŻU ZAWIASU (1)
20. CERAMICZNE NÓŻKI

Przygotowanie grilla

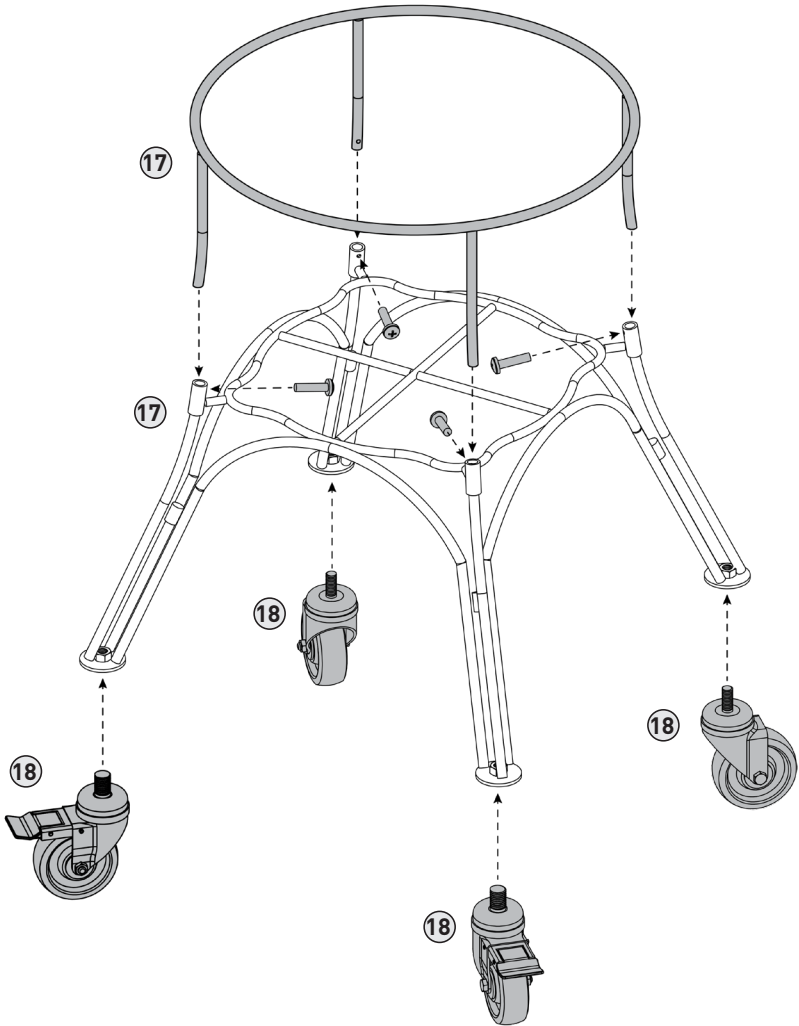
ROZPAKOWANIE GRILLA

- 1 Przetnij plastikowe opaski i zdejmij górne i boczne panele pojemnika transportowego.
- 2 Odtóż na bok karton opakowania.
- 3 Otwórz pokrywę grilla i wyjmij elementy z wnętrza. Należy ostrożnie obchodzić się z wewnętrznymi elementami ceramicznymi.

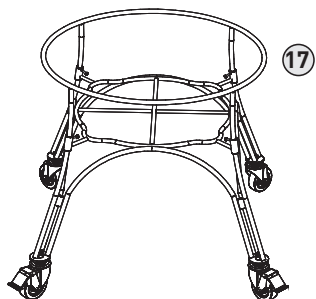
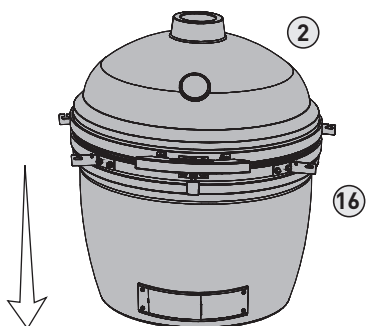
KAMADO JOE GRILL NA WÓZKU

- 1 Po usunięciu wewnętrznych elementów grilla, wyjmij grill z pojemnika i postaw z boku. Ze względu na wagę tego grilla, zalecamy wykonanie tej czynności przez dwie osoby. NIE podnoś grilla za wsporniki półki bocznej. Jako punktów podnoszenia użyj tylnego zawiasu i przedniego, dolnego otworu wentylacyjnego.
- 2 Zmontuj wózek grilla.
- 3 Stosując tę samą technikę podnoszenia, jak poprzednio, podnieś grill i postaw na wózku. Wyreguluj grill w wózku, aby dolny otwór wentylacyjny był skierowany do przodu wózka. Przednie dwa koła wózka są blokowane.

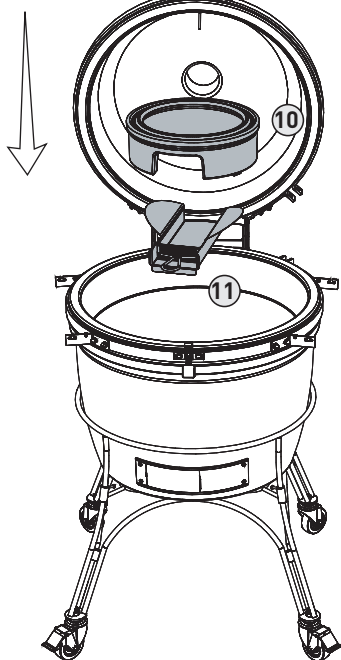
1



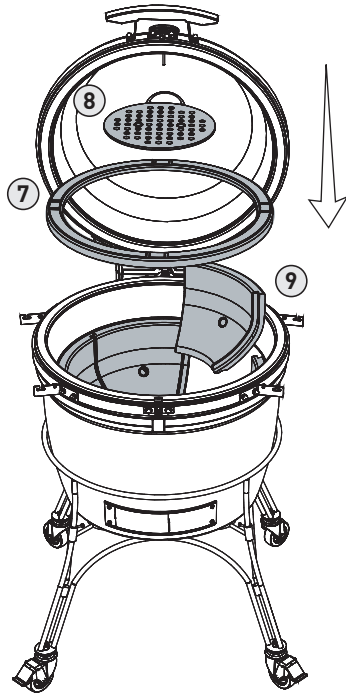
2



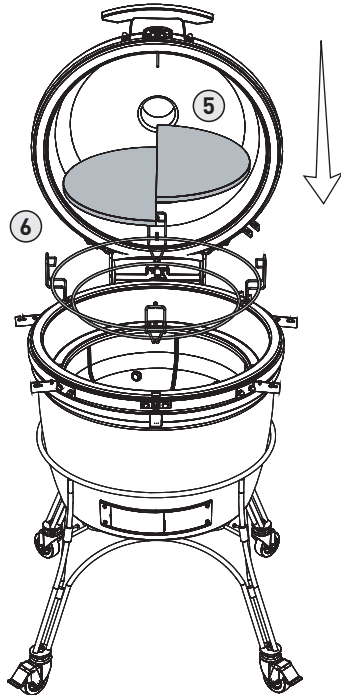
3



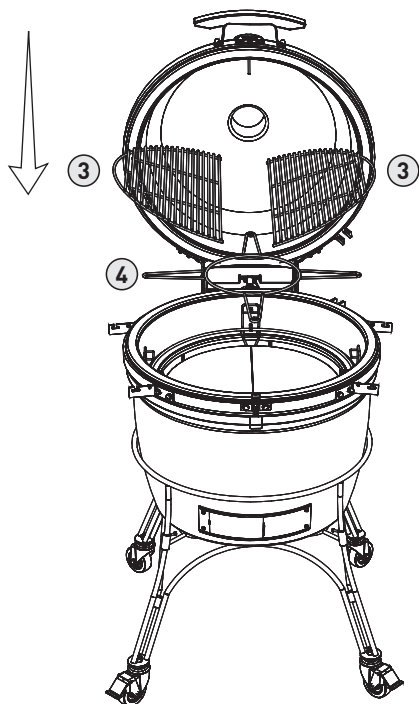
4



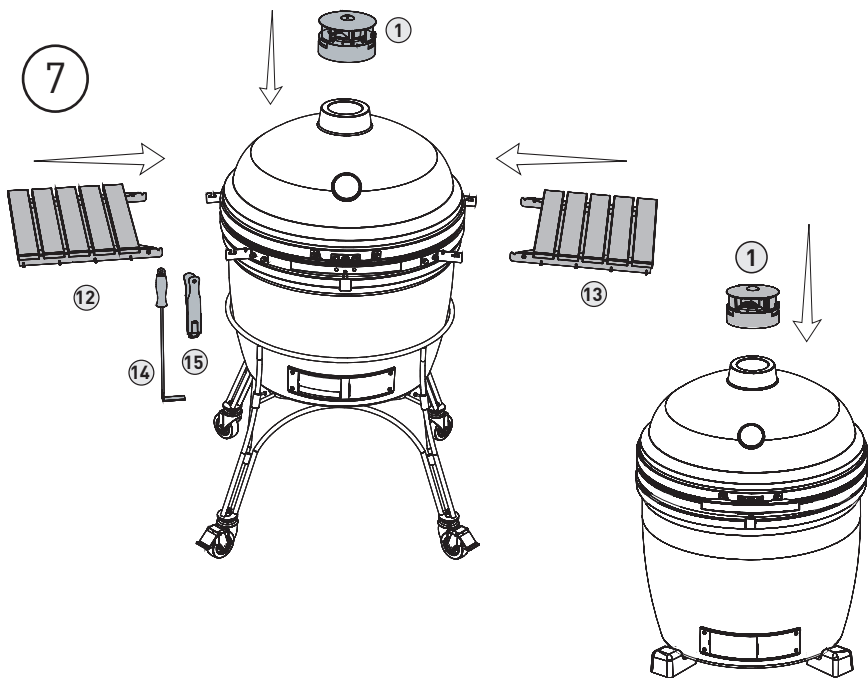
5



6

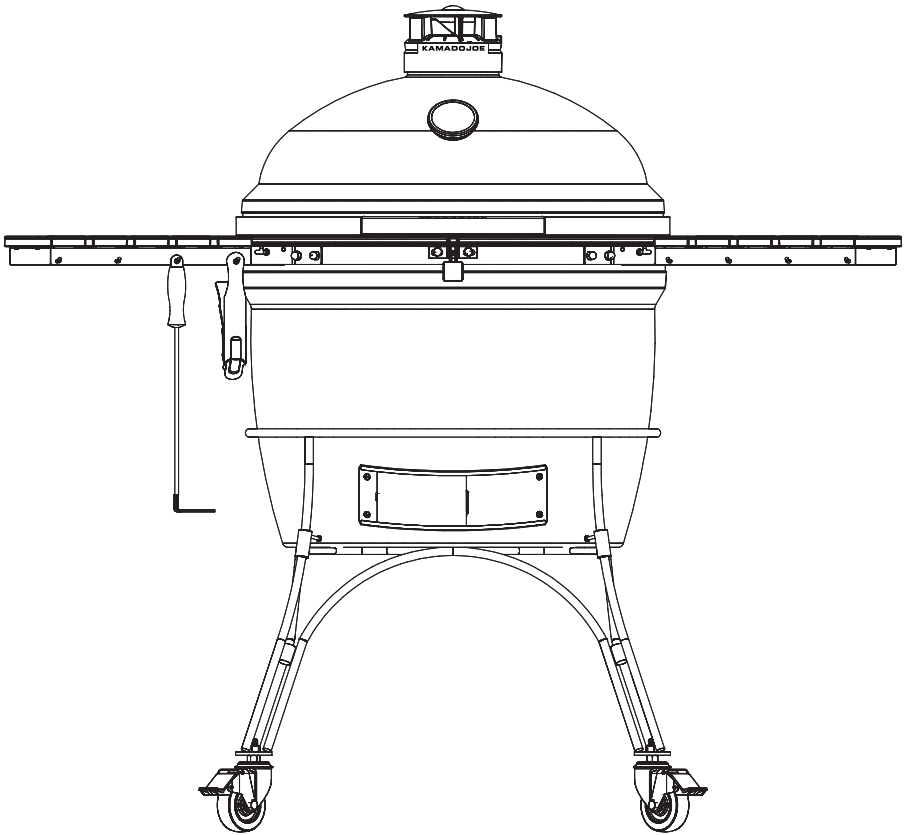


7



WERSJA NIEZALEŻNA

8

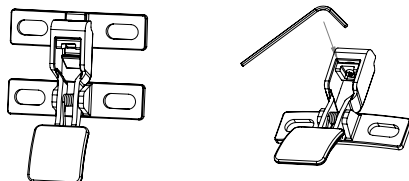


Regulacja zatrzasku

Zatrzask grilla Classic III jest już ustawiony na bardzo szczelne zamknięcie. Jeśli roszczeni się i znajdzie potrzeba regulacji, skorzystaj z tych instrukcji.

ZATRZASK CLASSIC III

Aby dokręcić i poluzować ustawienie zatrzasku, użyj małego klucza imbusowego. Wyreguluj śrubę regulacji, aby opuścić płytkę zatrzaskową i dodać podkładkę dystansową. Po dodaniu elementu dystansującego, zainstaluj ponownie płytkę zatrzasku, dokręcając śrubę regulacji.



Informacje bezpieczeństwa

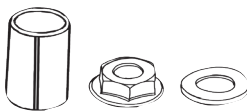
OSTROŻNIE

Zawias i obejmą są mocno naprężone, nieprzestrzeganie instrukcji może spowodować poważne obrażenia.

ZAWIAS

Nie próbuj demontować zawiasów lub luzować obejm grilla, bez zestawu narzędzi do demontażu.

UWAGA: Zestaw narzędzi do usuwania obejm (w zestawie podkładka dystansowa, podkładka zwykła, nakrętka sześciokątna). Przechowuj te części na wypadek konieczności późniejszego użycia. Zawiasu nie można bezpiecznie usunąć bez tych elementów.



Użyj dolnego i przedniego dolnego otworu wentylacyjnego jako punktów podnoszenia (nie podnoś grilla za zawias, wsporniki opasek lub uchwyt, ponieważ może to spowodować wypchnięcie koputy z opaski).

Jedynie niewielkie zmiany siły zamykania pokrywy powinny być wykonane zgodnie z instrukcjami na stronie 16.

USZCZELKA

Zalecane jest czyszczenie automatyczne poprzez naturalny cykl grzewczy. Nie używaj chemicznych środków czyszczących do czyszczenia uszczelki pokrywy. Jeśli jest to absolutnie konieczne, delikatnie zetrzyj wszelkie wycieki lub wilgoć. Nie należy szorować ani ścierać uszczelki podczas czyszczenia. Nadmierne tarcie może spowodować zużycie.

Czyszczenie i pielęgnacja

Twój grill Kamado Joe jest wykonany z wysokiej jakości materiałów, więc ogólna pielęgnacja i konserwacja są minimalne. Najlepszą ostonę Kamado Joe przed warunkami pogodowymi stanowi pokrywa grilla. Porcelanowa pajęczyna jest czymś naturalnym

CZYSZCZENIE AUTOMATYCZNE

- 1 Dodaj węgla i rozpal grilla.
- 2 Zamontuj stelaż Divide & Conquer® elastycznego gotowania w głównym potożeniu, a obydwa deflektory ciepła, na stojaku akcesoriów.
- 3 Otwórz całkowicie górne i dolne otwory wentylacyjne i pozwól, aby temperatura wewnątrz grilla wzrosła do 315 ° C przy zamkniętej pokrywie.
- 4 Utrzymuj temperaturę około 315 ° C przez 15-20 minut.
- 5 Zamknij całkowicie dolny otwór wentylacyjny, a po kolejnych 15-20 minutach, zamknij górny otwór wentylacyjny.

Spowoduje to wypalenie niechcianych pozostałości z wnętrza grilla. Przed ponownym użyciem, oczyść ruszt standardową szczotką do grilla. Aby usunąć wszelkie pozostałości z ceramiki, użyj miękkiej szczotki z włosia. Po takim zabiegu, Twoje płyty deflektora ciepła powinny być również wolne od napalonych pozostałości. Po czyszczeniu, wyszczotkuj je miękką szczotką z włosia. Gdy deflektory ciepła zabrudzą się podczas normalnego użytkowania, odwróć je brudną stroną do dołu, aby następnym razem ciepło ognia samoczynnie oczyściło tę stronę płyty deflektora.

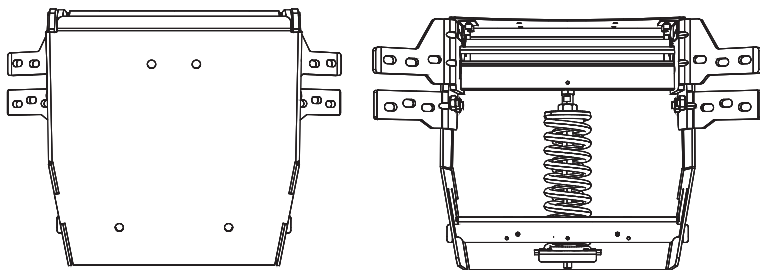
Raz lub dwa razy w roku, należy przeprowadzić dokładniejsze czyszczenie wnętrza grilla. Usuń wewnętrzne elementy i resztki popiołu lub zanieczyszczeń zebranych między korpusem grilla a elementami wewnętrznymi. Przed włożeniem elementów wewnętrznych, szczotką z tworzywa sztucznego, oczyść wewnętrzne powierzchnie ceramiczne i usuń ręcznie lub odkurzaczem resztki z dolnego rusztu.

Regulacja wlotu powietrza w Big Joe

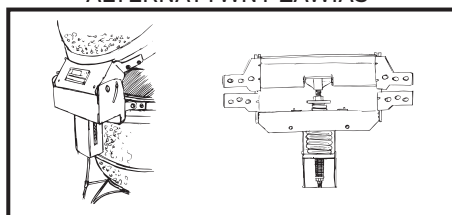
Wentylator w kamado Joe Big Joe jest już wstępnie ustawiony, aby zapewnić idealną równowagę i stabilność procesów. Aby wykonać dodatkowe ustawienia dostosowane do osobistych preferencji, postępuj zgodnie z poniższymi instrukcjami.

OSTROŻNIE: ZAWIAS JEST OBCIĄŻONY SPRĘŻYNĄ.

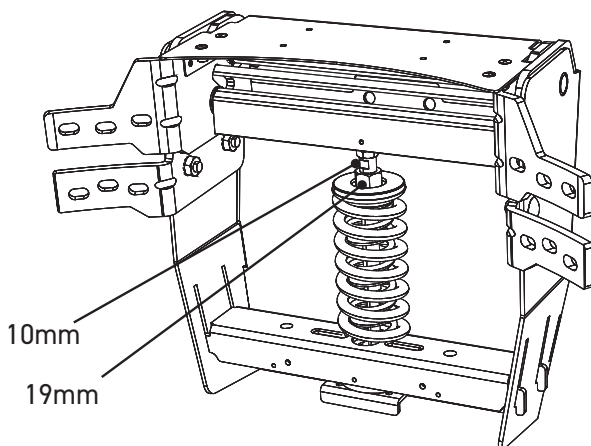
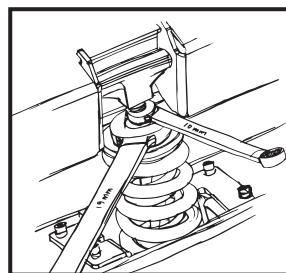
- 1 Otwórz pokrywę swojego grilla Kamado Big Joe.
- 2 Przy otwartej pokrywie, 10 mm klucz natóż na śrubę (patrz Wkładka 1).
- 3 Umieść klucz 19 mm na nakrętce od góry stabilizatora sprężyny (patrz Wkładka 1).
- 4 Aby ułatwić podnoszenie pokrywy, przytrzymaj klucz 10 mm nieruchomo i obróć kluczem 19 mm w prawo jak na rys. Wyjmij klucze i sprawdź działanie pokrywy przy każdym pełnym obrocie nakrętki. Jeśli chcesz, aby pokrywa zamykała się ciężko, obróć nakrętkę regulacji w lewo. Wyjmij klucze i sprawdź działanie pokrywy przy każdym pełnym obrocie nakrętki. Nie ustawiaj nakrętki tak, aby dotykała złącza (patrz Wkładka 1).



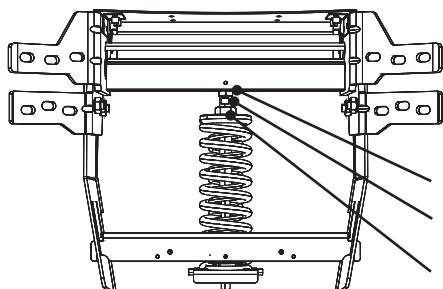
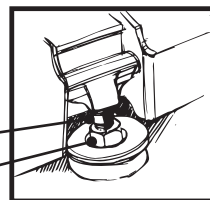
ALTERNATYWNY ZAWIAS



ALTERNATYWNY ZAWIAS



ALTERNATYWNY ZAWIAS



Wariant 1

Nakrętka śruby pod złączką

Śruba regulacji na stabilizatorze sprężyny

REQUIRED TOOLS: 10MM OPEN WRENCH AND 19MM OPEN WRENCH

Przewodnik szybkiego uruchomienia

URUCHOMIENIE

- 1 Dodaj węgla drzewnego do paleniska i rozpal ogień w jednym lub dwóch punktach.
- 2 Pozostaw pokrywę i dolny otwór wentylacyjny otwarte na 10 minut.
- 3 Zamknij pokrywę.
- 4 Rozpocznij zamykanie górnego otworu wentylacyjnego i dolnego otworu wentylacyjnego, gdy temperatura pod pokrywą znajdzie się w zakresie 10 ° C poniżej temperatury docelowej.

UTRZYMYWANIE TEMPERATURY

Aby obniżyć temperaturę, zmniejsz przepływ powietrza przez ruszt, zamykając otwory wentylacyjne. Aby zwiększyć, otwórz otwory wentylacyjne. Dostosowania otworów wentylacyjnych nie dają natychmiastowych efektów - odczekaj 10-15 minut, aby zmiana wentylacji zaczęła działać. Twój ceramiczny Kamado Joe dobrze zatrzymuje ciepło, jednak pełne nagrzanie może zająć trochę czasu. Poczekaj 20-40 minut od rozpalenia, aby ustabilizować temperaturę przed rozpoczęciem pieczenia.

SCHŁADZANIE

- 1 Po zakończeniu grillowania, zamknij całkowicie dolny otwór wentylacyjny.
- 2 Gdy temperatura spadnie poniżej 205 ° C, zamknij górny otwór wentylacyjny prawie całkowicie, ale zostaw małe otwarcie.
- 3 Nie przykrywaj grilla, dopóki pokrywa nie będzie chłodna w dotyku.

**ABY ZMNIJSZYĆ TEMPERATURĘ, ZAMKNIJ OTWORY. ABY
PODNIĘĆ TEMPERATURĘ, OTWÓRZ OTWORY WENTYLACYJNE.**

SZYBKI PRZEWODNIK REGULACJI TEMPERATUR

Przybliżone temperatury poszczególnych technik gotowania.

GRILLOWANIE 205–315 °C

PRZYPIEKANIE 260–400 °C

PIECZENIE 150–400 °C

DUSZENIE 150–230 °C

WĘDZENIE 105–135 °C

OSTROŻNIE

ŻAGOWANIE

Grillując w temp. 175°C, aby zapobiec cofaniu się płomienia, ostrożnie otwórz grilla (lub przeczyść ruszt).

PŁYNY

Nie rozlewaj płynów wewnątrz lub na grilla, gdy jest gorący.

ISKRY

Uważaj na iskry i żar podczas używania grilla na drewnianych podnogach.

W TRAKCIE DZIAŁANIA

Nie zostawiaj grilla bez nadzoru z otwartą pokrywą grillową.

KAMADOJOE®

KAMADOJOE.COM

KAMADOJOE.COM/CONTACT

KAMADOJOE.COM/WARRANTY

MASTERBUILT.COM/COLLECTIONS/PARTS

KAMADO JOE • 5032 MILGEN CT. • COLUMBUS, GA 31907

РУКОВОДСТВО ПОЛЬЗОВАТЕЛЯ BIG JOE II



KAMADOJOE®

9804200026 210511-GH


Содержание

Предупреждения	3
Список деталей и необходимый инструмент	7
Инструкции по подготовке к установке гриля	8
Инструкции по сборке	9
Важные сведения по безопасности	14
Очистка и уход	15
Регулировка петли	16
Краткие инструкции по эксплуатации гриля	18
Краткий обзор температурных режимов	19

Уголь не входит в комплект поставки гриля.

ПРЕДУПРЕЖДЕНИЕ

- Это руководство содержит важные сведения для правильной сборки и безопасной эксплуатации устройства.
- Прежде чем приступить к сборке и эксплуатации устройства, прочтите все предупреждения и инструкции и следуйте им.
- Сохраняйте настоящее руководство для дальнейшего использования.

 **Несоблюдение этих инструкций может привести к пожару, взрыву или получению ожогов и стать причиной повреждения имущества, травм и даже смерти.**

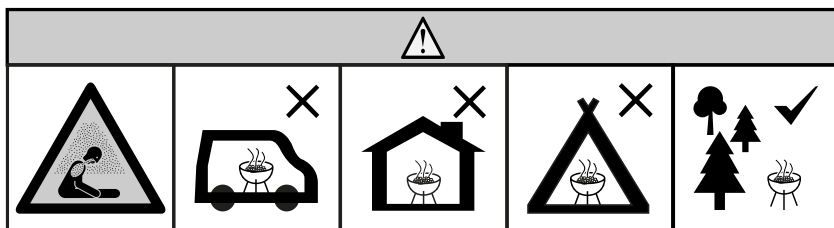
ОПАСНОСТЬ ОТРАВЛЕНИЯ УГАРНЫМ ГАЗОМ

- При сжигании древесного угля и древесины выделяется угарный газ, который не имеет запаха, но может стать причиной смерти.
- Используйте гриль на улице в хорошо проветриваемой зоне.

ПРЕДУПРЕЖДЕНИЯ И ВАЖНЫЕ МЕРЫ БЕЗОПАСНОСТИ

ПРОЧТИТЕ ВСЕ ИНСТРУКЦИИ

- **ПРЕДУПРЕЖДЕНИЕ!** Гриль очень сильно нагревается. Не перемещайте его во время использования.
- **ПРЕДУПРЕЖДЕНИЕ!** Не используйте внутри помещений!
- **ПРЕДУПРЕЖДЕНИЕ!** Не разжигайте и не пытайтесь повторно разжечь огонь в гриле с помощью спирта, бензина или других горючих жидкостей.
- **ПРЕДУПРЕЖДЕНИЕ!** Следите за тем, чтобы дети и животные не приближались к грилю. НЕ разрешайте детям использовать гриль. Внимательно следите за детьми и животными, находящимися в зоне, где используется гриль.



- Не используйте гриль в ограниченном и (или) жилом пространстве, например, в домах, под навесами, в трейлерах и фургонах или на лодках. Отравление угарным газом может привести к смерти.
- Используйте гриль в строгом соответствии со всеми применимыми местными, региональными и федеральными пожарными нормами.
- Перед каждым использованием проверяйте наличие и качество затяжки всех гаек, винтов и болтов.
- Не используйте гриль под навесными конструкциями, например, под крышами, навесами, тентами или козырьками.
- Гриль предназначен для использования **ИСКЛЮЧИТЕЛЬНО ВНЕ ПОМЕЩЕНИЙ**.
- Минимально допустимое расстояние от гриля до навесов, стен, перил и прочих конструкций — 3 метра.
- Минимально допустимое расстояние от гриля до легковоспламеняемых материалов, таких как дерево, доски, сухие растения, трава, кустарник, бумага или ткань, — 3 метра.
- Не используйте гриль в целях, для которых он не предназначен. Этот гриль **НЕ** предназначен для коммерческого использования.
- Использование различных принадлежностей, произведенных не Kamado Joe, **НЕ РЕКОМЕНДУЕТСЯ** и может стать причиной травм.
- Употребление алкоголя, рецептурных или нерцеписурных препаратов влияет на способность пользователя готовить на гриле.
- При использовании гриля держите огнетушитель в зоне прямого доступа.



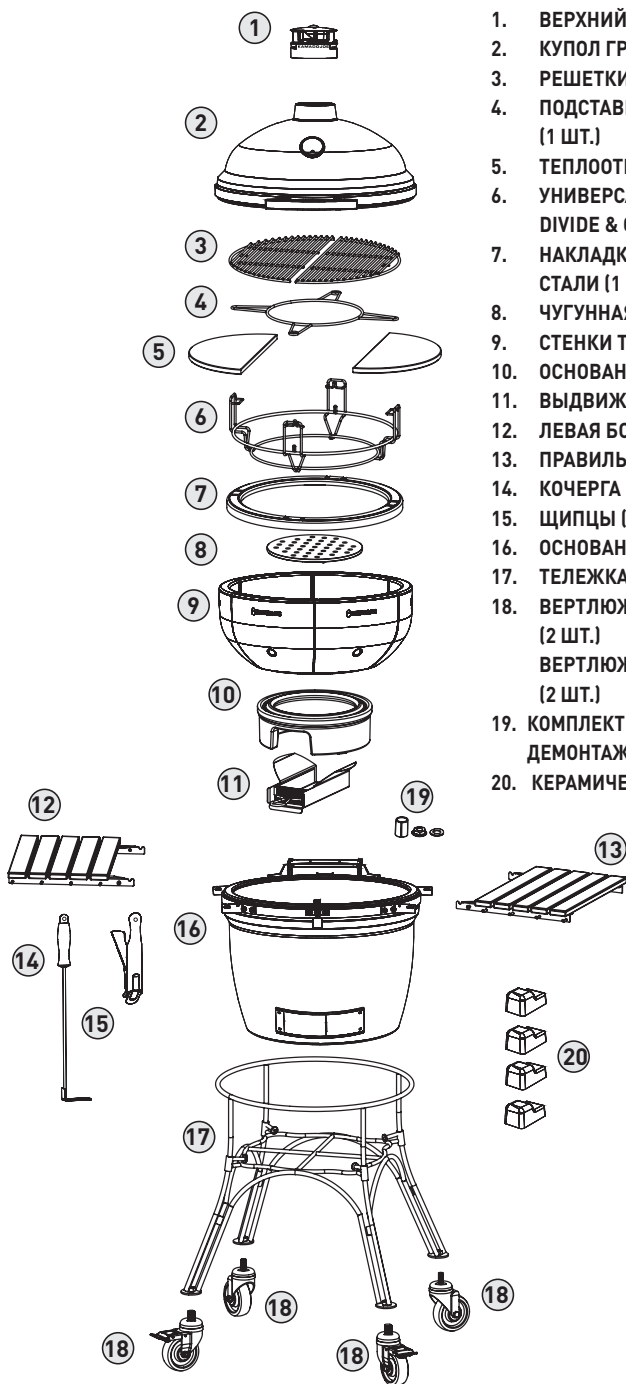
ПРЕДУПРЕЖДЕНИЯ И ВАЖНЫЕ МЕРЫ БЕЗОПАСНОСТИ

- Во время готовки на масле или жире держите под рукой огнетушитель типа BC или ABC.
- В случае возгорания масла или жира не пытайтесь тушить пожар водой. Немедленно обратитесь в пожарную службу. В некоторых случаях огнетушитель типа BC или ABC может потушить огонь.
- Используйте гриль на ровной, устойчивой, негорючей поверхности, например, на грунтовом, бетонном, кирпичном или каменном полу. Асфальтное (или щебеночно-асфальтное) покрытие может не подойти для этой цели.
- Гриль ДОЛЖЕН стоять на земле. Не устанавливайте гриль на стол или столешницу. НЕ перемещайте гриль по неровной поверхности.
- Не используйте гриль на деревянных или легковоспламеняемых поверхностях.
- Следите, чтобы в гриль не попадали горючие материалы, например, бензин и другие горючие пары и жидкости.
- Не оставляйте гриль без присмотра.
- НЕ позволяйте никому отдыхать, развлекаться, работать или находиться возле гриля во время его использования (и до его полного охлаждения).
- В процессе приготовления на гриле не используйте стеклянную, пластиковую или керамическую посуду. Не ставьте на гриль пустую посуду во время его использования.
- Запрещено перемещать гриль во время его использования. Перед перемещением или хранением гриль должен полностью остынуть (его температура должна опуститься ниже 45 °C).
- Не оставляйте гриль с горячими углями или золой внутри. Гриль можно помещать на хранение только после того, как огонь погас и все поверхности гриля полностью остыли.
- Запрещено использовать гриль в качестве отопительного прибора. ПРОЧТИТЕ ПРЕДУПРЕЖДЕНИЕ ОБ ОПАСНОСТИ ОТРАВЛЕНИЯ УГАРНЫМ ГАЗОМ.
- Гриль сильно НАГРЕВАЕТСЯ во время использования и остается ГОРЯЧИМ еще некоторое время спустя. Соблюдайте МЕРЫ ПРЕДОСТОРОЖНОСТИ. Носите защитные перчатки или рукавицы.
- Во избежание травм, повреждения гриля и проливания или разбрызгивания горячих жидкостей НЕ стучите и не бейте по грилю.
- Соблюдайте меры предосторожности, снимая еду с гриля. Все его поверхности ГОРЯЧИЕ, о них можно обжечься. Используйте защитные перчатки, рукавицы или надежные длинные кухонные принадлежности для защиты от горячих поверхностей или разбрызгивания горячих жидкостей.
- Не касайтесь ГОРЯЧИХ поверхностей.
- Гриль сильно НАГРЕВАЕТСЯ во время использования. Во избежание ожогов не приближайте лицо и тело к грилю, когда поднимаете крышку, и держитесь подальше от вентиляционных отверстий. Во время использования из гриля могут вырываться пар и горячий воздух.

ПРЕДУПРЕЖДЕНИЯ И ВАЖНЫЕ МЕРЫ БЕЗОПАСНОСТИ

- Если вы готовите при температуре выше 175 °С, открывайте гриль (выпускайте жар из гриля), поднимая купол, очень осторожно во избежание выброса — очень сильного жара, вызванного притоком кислорода. Во избежание выброса жара вначале приоткройте крышку на 5–8 см и дождитесь его отвода в течение примерно 5 секунд.
- Воздушные заслонки сильно **НАГРЕВАЮТСЯ** во время использования и в процессе остывания гриля. Перед любыми манипуляциями с грилем надевайте защитные перчатки.
- Гриль — это источник открытого огня. Не приближайте руки, волосы и лицо к огню. **НЕ** наклоняйтесь над грилем во время розжига. Распущенные волосы и свободная одежда могут загореться.
- **НЕ** перекрывайте воздушные потоки сгорания и вентиляции.
- Не накрывайте подставки для приготовления пищи фольгой. Фольга изолирует жар, что может привести к повреждению гриля.
- Не оставляйте **ГОРЯЧИЕ** угли или золу без присмотра.
- Угли необходимо поддерживать красными в течение не менее 30 минут до начала готовки.
- Не приступайте к готовке, пока угли не начнут покрываться слоем золы.
- Не извлекайте зольник, пока зола и уголь **НЕ ОСТЫЛИ**.
- При использовании гриля или обращении с огнем надевайте защитные перчатки. Используйте защитные перчатки или надежные длинные кухонные принадлежности при добавлении дров или угля.
- Для розжига угля запрещено использовать жидкость для розжига, бензин, спирт или другие легковоспламеняющиеся жидкости. Эти жидкости могут взорваться и стать причиной ожогов или смерти.
- Максимально допустимое количество угля для Big Joe — 4,5 кг. Не превышайте количество угля в корзине. Это может привести к серьезным травмам и повреждению гриля.
- Соберите золу в алюминиевую фольгу, пропитайте водой и выкиньте в мусорный бак из негорючего материала.
- Не используйте SloRoller при температуре более 260 °С.

СОХРАНЯЙТЕ ЭТИ ИНСТРУКЦИИ



1. ВЕРХНИЙ ДЫМОХОД (1 ШТ.)
2. КУПОЛ ГРИЛЯ (1 ШТ.)
3. РЕШЕТКИ В ФОРМЕ ПОЛУКРУГА (2 ШТ.)
4. ПОДСТАВКА ДЛЯ ПРИНАДЛЕЖНОСТЕЙ (1 ШТ.)
5. ТЕПЛОТРАЖАТЕЛИ (2 ШТ.)
6. УНИВЕРСАЛЬНАЯ СИСТЕМА DIVIDE & CONQUER (1 ШТ.)
7. НАКЛАДКА ТОПКИ ИЗ НЕРЖАВЕЮЩЕЙ СТАЛИ (1 ШТ.)
8. ЧУГУННАЯ РЕШЕТКА (1 ШТ.)
9. СТЕНКИ ТОПКИ (6 ШТ.)
10. ОСНОВАНИЕ ТОПКИ (1 ШТ.)
11. ВЫДВИЖНОЙ ЗОЛЬНИК (1 ШТ.)
12. ЛЕВАЯ БОКОВАЯ ПОЛКА (1)
13. ПРАВИЛЬНАЯ СТОРОНА (1)
14. КОЧЕРГА (1 ШТ.)
15. ЩИПЦЫ (1 ШТ.)
16. ОСНОВАНИЕ ГРИЛЯ (1 ШТ.)
17. ТЕЛЕЖКА CLASSIC II (1 ШТ.)
18. ВЕРТЛЮЖНЫЕ КОЛЕСИКИ С ФИКСАЦИЕЙ (2 ШТ.)
ВЕРТЛЮЖНЫЕ КОЛЕСИКИ БЕЗ ФИКСАЦИИ (2 ШТ.)
19. КОМПЛЕКТ ИНСТРУМЕНТОВ ДЛЯ ДЕМОНТАЖА ПЕТЛИ (1 ШТ.)
20. КЕРАМИЧЕСКИЕ НОЖКИ (4)

Подготовка к установке гриля

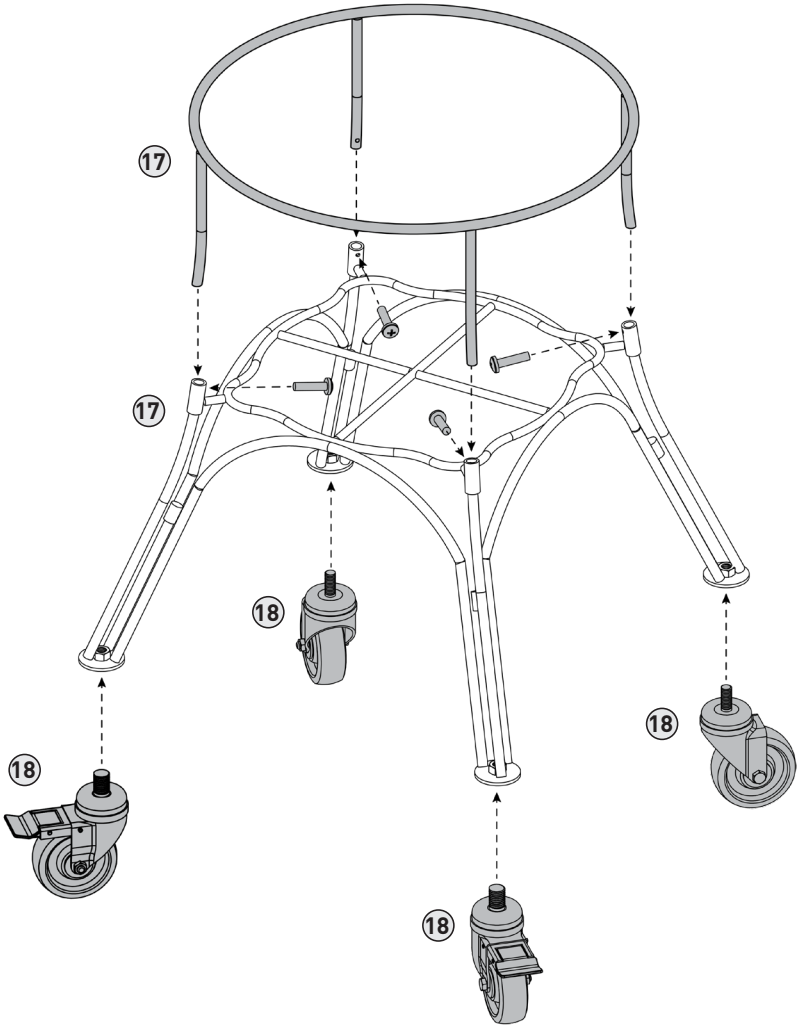
РАСПАКОВКА ГРИЛЯ

- 1 Срежьте пластиковые стяжки и снимите верхнюю и боковые панели транспортировочной коробки.
- 2 Отставьте коробку из-под тележки гриля в сторону.
- 3 Откройте купол гриля и извлеките из него все детали. Обращайтесь с внутренними керамическими деталями очень осторожно.

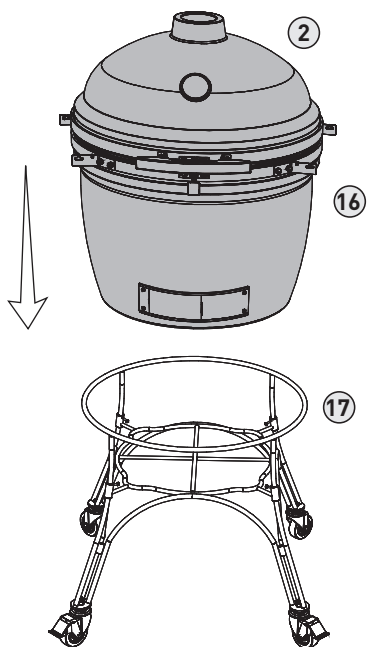
ГРИЛЬ KAMADO JOE НА ТЕЛЕЖКЕ

- 1 После извлечения внутренних деталей из гриля выньте его из коробки и отставьте в сторону. Поскольку гриль достаточно тяжелый, для выполнения этой операции понадобятся два человека. НЕ поднимайте гриль за боковые крепления для полок. В качестве подъемных точек используйте заднюю петлю и нижнее переднее вентиляционное отверстие.
- 2 Соберите тележку гриля и заблокируйте на ней колесики.
- 3 Установите гриль на тележку, подняв его описанным выше способом. Отрегулируйте положение гриля на тележке так, чтобы нижнее вентиляционное отверстие находилось с лицевой стороны тележки. Лицевая сторона тележки — сторона с двумя заблокированными колесиками.

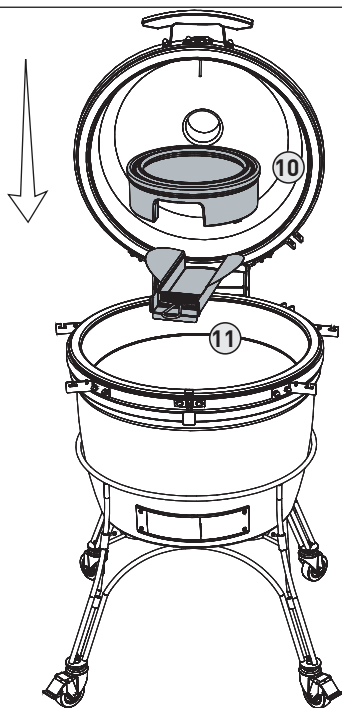
1



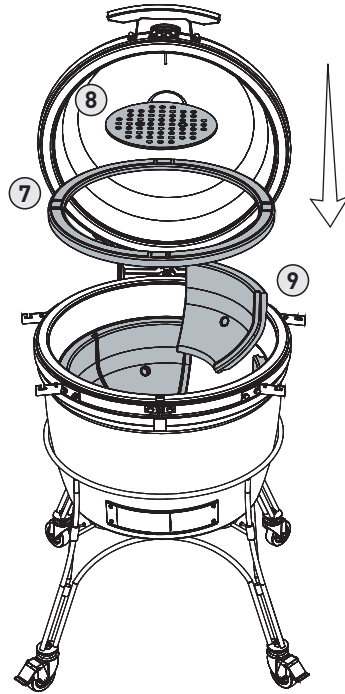
2



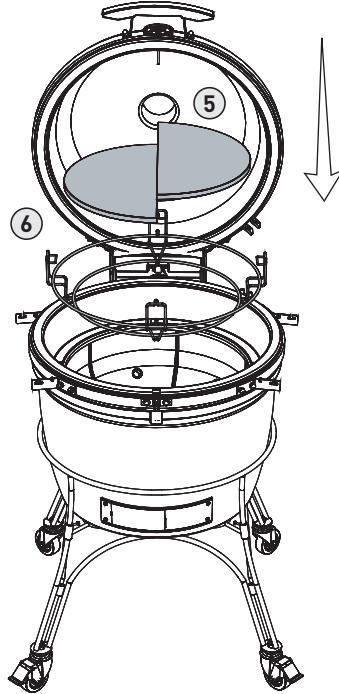
3



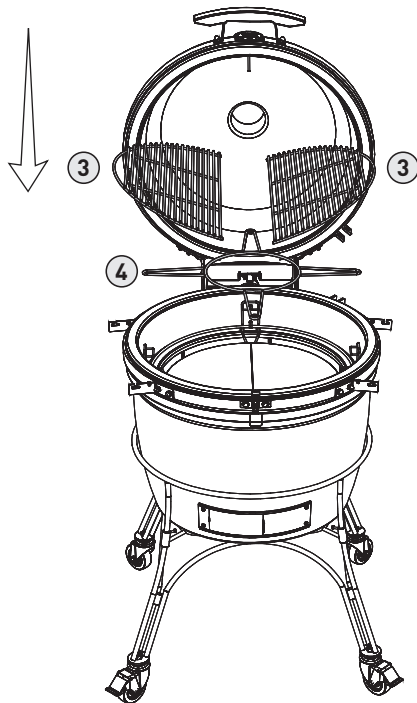
4



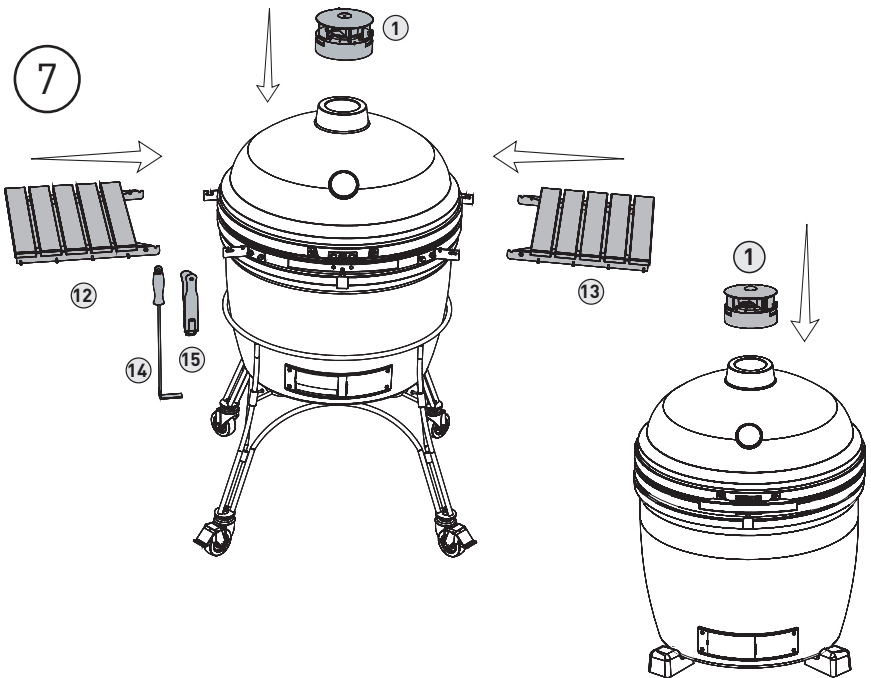
5



6

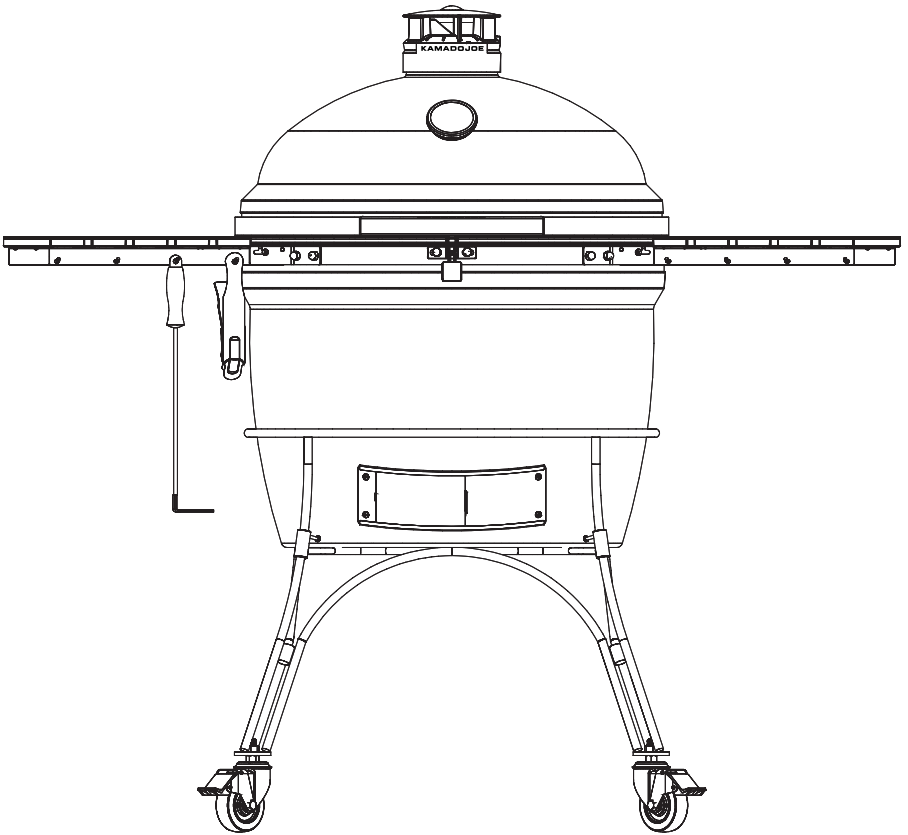


7



НЕЗАВИСИМАЯ ВЕРСИЯ

8

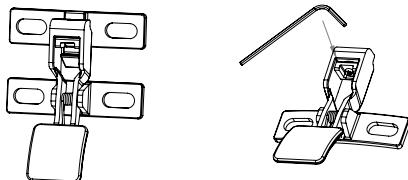


Регулировка щеколды

Щеколда гриля Classic III предварительно отрегулирована на значительное усилие. Если требуется дополнительная регулировка, следуйте приведенным инструкциям.

ЩЕКОЛДА CLASSIC III

Чтобы затянуть или ослабить затяжку щеколды, воспользуйтесь малым универсальным ключом. Отрегулируйте затяжку установочного винта, чтобы опустить запор щеколды и вставить распорку. После установки распорки установите запор щеколды на место, затянув установочный винт.



Важные сведения по безопасности

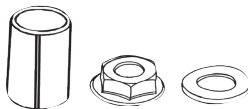
ОСТОРОЖНО

Петля и обод установлены под высоким механическим напряжением. Несоблюдение следующих инструкций может привести к серьезным травмам.

ПЕТЛЯ

Не пытайтесь снять петлю или ослабить затяжку обода на гриле без комплекта инструментов для демонтажа петли.

ПРИМЕЧАНИЕ. Комплект инструментов для демонтажа петли включает распорку, шайбу и шестигранную гайку. Сохраните эти детали на случай, если вам в дальнейшем понадобится демонтировать петлю. Без этих деталей безопасный демонтаж петли невозможен.



В качестве подъемных точек используйте нижнюю лицевую часть устройства и переднее нижнее вентиляционное отверстие. (Не поднимайте гриль за петлю, кронштейны ободьев или ручку, поскольку это может привести к соскакиванию купола с обода.)

В соответствии с инструкциями на странице 16 возможны лишь небольшие изменения массы купола.

ПРОКЛАДКА

Рекомендуется самоочистка от естественного жара гриля.

Не очищайте прокладку с помощью химических средств.

В случае необходимости осторожно сотрите с поверхности брызги и жидкость. Во время очистки не трите прокладку и не используйте абразивную поверхность губки. Чрезмерное трение может стать причиной износа прокладки.

Очистка и уход

Ваш гриль Kamado Joe изготовлен из качественных материалов, поэтому общий уход и обслуживание требуют минимума усилий.

Лучший способ защитить гриль Kamado Joe от внешнего воздействия — держать его закрытым.

Глянцевая поверхность с легким эффектом растрескивания — неотъемлемая часть оформления изделия.

САМООЧИСТКА

- 1** Добавьте уголь и разожгите огонь.
- 2** Установите универсальную подставку Divide & Conquer® в верхнее положение, а оба теплоотражателя — на подставке для принадлежностей.
- 3** Полностью откройте верхнюю и нижнюю воздушные заслонки и дайте грилю прогреться до 315 °C с закрытым куполом.
- 4** Поддерживайте температуру около 315 °C в течение 15–20 минут.
- 5** Полностью закройте нижнюю воздушную заслонку и подождите еще 15–20 минут, прежде чем закрыть верхнюю.

Все нежелательные остатки внутри гриля сгорят. Прежде чем готовить снова, очистите решетку для приготовления пищи обычной щеткой для гриля. Для очистки керамики используйте щетку с мягкой щетиной. На теплоотражающих пластинах также не должно быть обгоревших остатков. Очистите их щеткой с мягкой щетиной. В случае загрязнения теплоотражающих пластин в процессе обычного использования просто переверните их грязной стороной вниз перед очередным приготовлением пищи — они очистятся в огне.

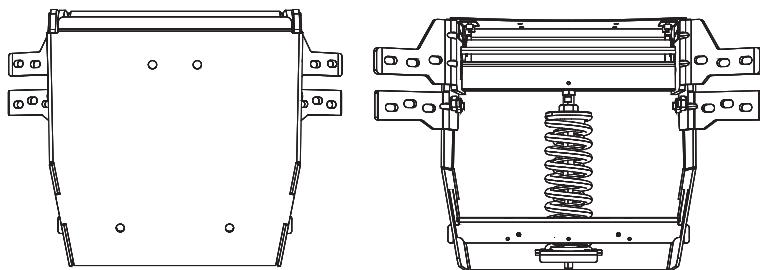
Один или два раза в год производите более тщательную очистку внутренних поверхностей гриля. Извлекайте внутренние детали и удаляйте остатки золы и мусора, скопившиеся между корпусом гриля и внутренними деталями. Перед установкой внутренних деталей на место очистите внутренние керамические поверхности с помощью щетки с пластиковой щетиной, а для удаления мусора из нижней части гриля используйте лопатку или пылесос.

Регулировка петли с пневмоподъемником Big Joe

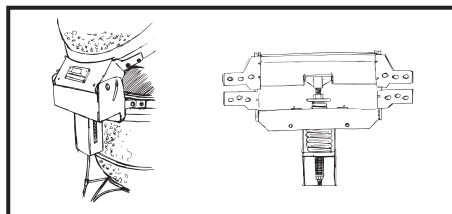
Петля с пневмоподъемником гриля Big Joe от Kamado Joe предварительно отрегулирована для достижения идеального баланса и устойчивости. Если вы в соответствии с личными предпочтениями хотите внести изменения в заводскую регулировку, следуйте приведенным ниже инструкциям.

Осторожно: петля с пневмоподъемником сильно затянута.

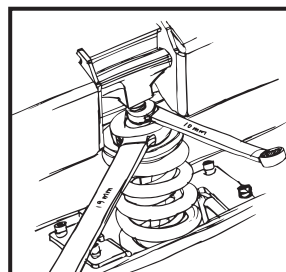
- 1 Откройте купол гриля Big Joe от Kamado Joe.
- 2 Накиньте ключ на 10 мм на грани винта (см. рисунок 1).
- 3 Накиньте ключ на 19 мм на гайку в верхней части держателя пружины (см. рисунок 1).
- 4 Если вы хотите, чтобы купол легче поднимался, удерживайте ключ на 10 мм неподвижно, а ключ на 19 мм вращайте по часовой стрелке, как показано на рисунке. Снимайте ключи и проверяйте ход купола после каждого полного оборота гайки. Если вы хотите, чтобы купол тяжелее поднимался, вращайте гайку против часовой стрелки. Снимайте ключи и проверяйте ход купола после каждого полного оборота гайки. Не допускайте контакта гайки с соединителем (см. рисунок 1).



Регулировка петли с пневмоподъемником



Регулировка петли с
пневмоподъемником



10mm
19mm

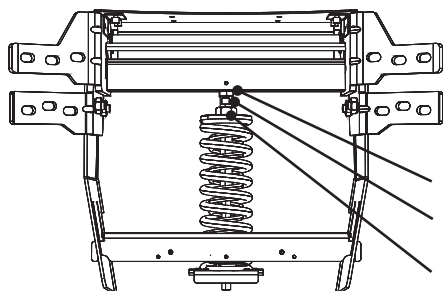


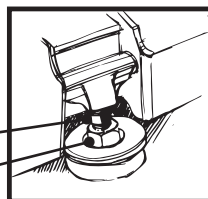
Рисунок 1

Гайка под
соединителем

Грани винта

Регулировочная гайка
на держателе пружины

Регулировка петли с
пневмоподъемником



**НЕОБХОДИМЫЕ ИНСТРУМЕНТЫ: РОЖКОВЫЙ КЛЮЧ НА 10 ММ И РОЖКОВЫЙ
КЛЮЧ НА 19 ММ.**

Краткие инструкции по эксплуатации гриля

НАЧАЛО РАБОТЫ С ГРИЛЕМ

- 1 Добавьте в топку древесного угля и разожгите огонь с помощью одной-двух растопок.
- 2 Оставьте купол открытым на 10 минут. Нижняя воздушная заслонка должна быть полностью открыта.
- 3 Закройте купол.
- 4 Постепенно закрывайте верхнюю и нижнюю заслонки, пока температура купола не приблизится к необходимой в пределах 10 °С.

ПОДДЕРЖАНИЕ ТЕМПЕРАТУРЫ

Чтобы снизить температуру, необходимо уменьшить приток воздуха в гриль, закрыв заслонки. И наоборот, чтобы увеличить температуру, необходимо открыть заслонки. Однако температура не меняется мгновенно, на это уходит 10–15 минут. Керамический гриль Kamado Joe очень хорошо удерживает тепло, поэтому ему требуется много времени на полный прогрев. Прежде чем приступать к приготовлению пищи, дождитесь прогрева гриля и стабилизации температуры. На это уйдет около 20–40 минут.

ОСТЫВАНИЕ

- 1 После завершения приготовления пищи полностью закройте нижнюю воздушную заслонку.
- 2 Как только температура опустится ниже 205 °С, закройте верхнюю заслонку почти полностью, оставив лишь небольшую щель.
- 3 Не закрывайте гриль, пока купол не станет холодным на ощупь.

**ЧТОБЫ СНИЗИТЬ ТЕМПЕРАТУРУ, ЗАКРОЙТЕ ЗАСЛОНКИ.
ЧТОБЫ УВЕЛИЧИТЬ ТЕМПЕРАТУРУ, ОТКРОЙТЕ ЗАСЛОНКИ.**

КРАТКИЙ ОБЗОР ТЕМПЕРАТУРНЫХ РЕЖИМОВ

Приблизительная температура для каждой из техник приготовления.

ЖАРКА 205–315 °С

ПОДРУМЯНИВАНИЕ 260–400 °С

ВЫПЕКАНИЕ 150–400 °С

ЗАПЕКАНИЕ 150–230 °С

КОПЧЕНИЕ 105–135 °С

ОСТОРОЖНО

ВЫБРОС ЖАРА

Если вы готовите при температуре выше 175 °С, открывайте гриль (выпускайте жар из гриля), поднимая купол, очень осторожно во избежание выброса.

ЖИДКОСТИ

Не лейте жидкости внутрь или на поверхность горячего гриля.

ИСКРЫ

При установке гриля на террасную доску помните об искрах и тлеющих углях.

ВО ВРЕМЯ ИСПОЛЬЗОВАНИЯ ГРИЛЯ

Не оставляйте гриль с открытым куполом без присмотра.

KAMADOJOE®

**KAMADOJOE.COM
KAMADOJOE.COM/CONTACT
KAMADOJOE.COM/WARRANTY
KAMADOJOE.COM/COLLECTIONS/PARTS**

KAMADO JOE • 5032 MILGEN CT. • COLUMBUS, GA 31907

BIG JOE II ÄGARENS INSTRUKTIONSBOK



KAMADOJOE®

9804200026 210511-GH

Innehållsförteckning

Varningar	3
Förteckning över nödvändiga delar och verktyg	7
Installationsinstruktioner för grillen	8
Monteringsanvisningar	9
Säkerhetsinformation	14
Rengöring och skötsel	15
Justering av gångjärn	16
Snabbstartguide	18
Snabb temperaturguide	19

Grillen levereras inte med kol.

VARNING

- Denna bruksanvisning innehåller viktig information som är nödvändig för korrekt montering och säker användning av utrustningen.
- Läs och följ alla varningar och instruktioner innan du monterar och använder utrustningen.
- Behåll den här bruksanvisningen för framtida referens.

 **Underlåtenhet att följa dessa anvisningar kan leda till eldsvåda, explosion eller brandfara som kan orsaka skada på egendom, personskada eller dödsfall.**

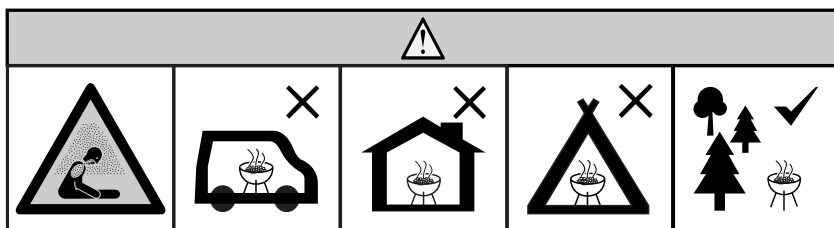
KOLMONOXIDFARA

- När man bränner kol eller flis avger det kolmonoxid, som inte har någon lukt och kan orsaka dödsfall.
- Använd endast utomhus där det är väl ventilerat.

VARNINGAR OCH VIKTIGA SÄKERHETSFÖRESKRIFTER

LÄS ALLA INSTRUKTIONER

- **WARNING!** Grillen blir mycket het. Flytta inte på den under användning.
- **WARNING!** Använd inte inomhus!
- **WARNING!** Använd inte alkohol, bensin eller andra liknande vätskor till att tända grillen.
- **WARNING!** Håll barn och husdjur borta från grillen vid alla tillfällen. Låt INTE barn använda grillen. Nära uppsyn krävs när barn eller husdjur befinner sig i närheten av grillen.



- Använd inte grillen i slutna och / eller bebodda utrymmen som hus, tält, husvagnar, husbilar, båtar. Risk för kolmonoxidförgiftning som kan orsaka dödsfall.
- Använd alltid grillen i enlighet med alla tillämpliga lokala, statliga och federala eldningsbestämmelser.
- Se till att samtliga muttrar, skruvar och bultar sitter ordentligt åtdragna före varje användning.
- Använd aldrig grillen under överliggande konstruktioner som tak, carportar, markiser eller överhäng.
- Grillen är ENDAST FÖR UTOMHUSBRUK.
- Håll ett minsta avstånd på 3 meter från överliggande konstruktioner, väggar, skenor eller andra strukturer.
- Håll ett minsta avstånd på 3 meter från alla brännbara material, exempelvis trä, trädäck, torra växter, gräs, borstar, papper eller kanvas.
- Använd aldrig grillen för annan än avsedd användning. Denna grill är inte avsedd för kommersiellt bruk.
- Det rekommenderas INTE att använda tillbehör som inte levereras av Kamado Joe eftersom de kan orsaka personskada.

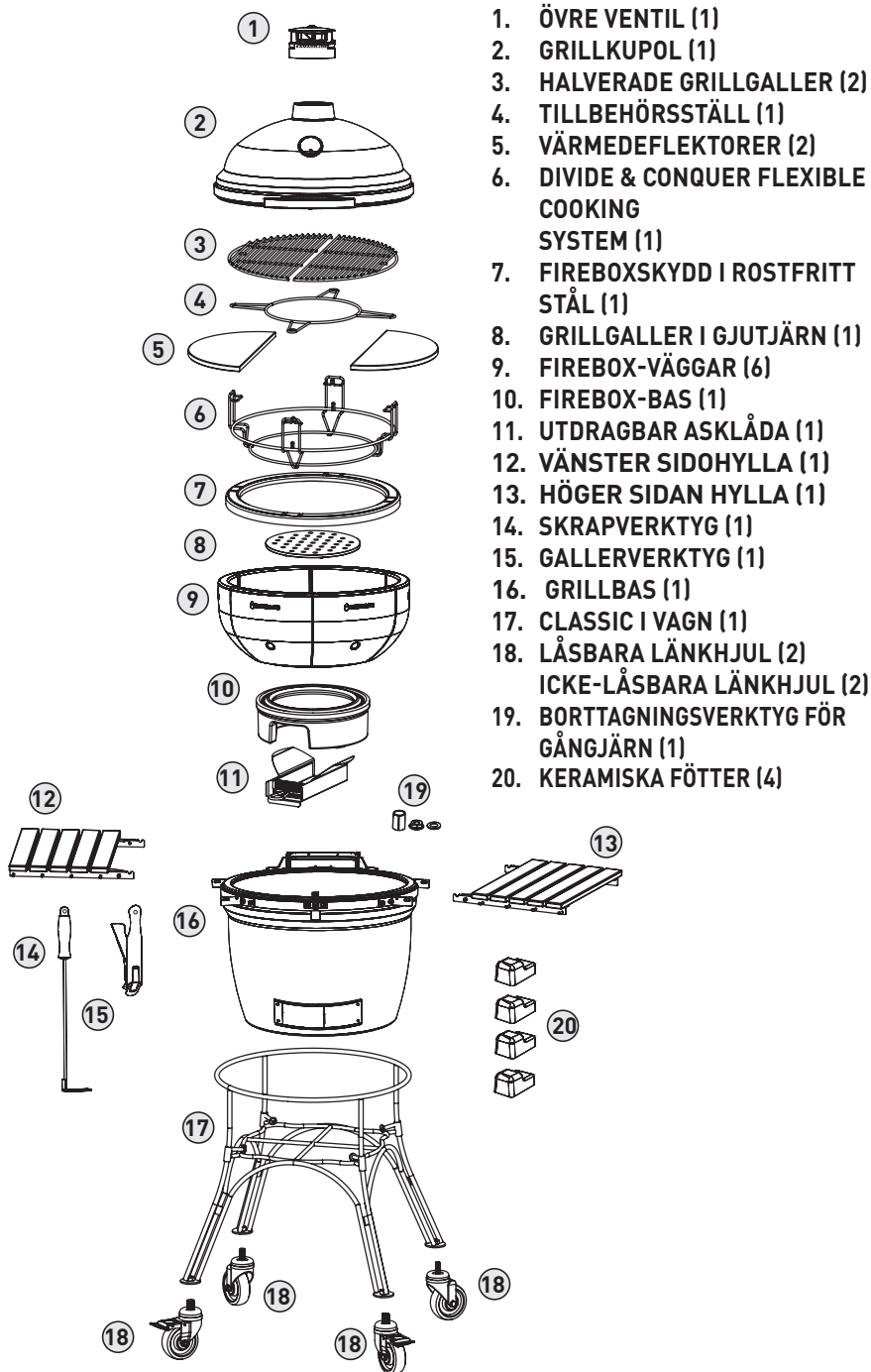
VARNINGAR OCH VIKTIGA SÄKERHETSFÖRESKRIFTER

- Användning av alkohol, receptbelagda eller receptfria läkemedel eller droger kan påverka användarens förmåga att montera eller på ett säkert sätt använda grillen.
- Ha alltid en brandsläckare till hands vid all användning av grillen.
- Vid matlagning med olja eller fett, ska en brandsläckare av typ BC eller ABC vara tillgänglig.
- Om olja eller fett börjar brinna ska du inte försöka att släcka branden med vatten. Kontakta brandkåren omedelbart. En brandsläckare av typ BC eller ABC kan i vissa fall begränsa branden.
- Använd grillen på en plan, icke brännbar, stabil yta exempelvis jord, betong, tegel eller sten. Ett asfaltunderlag kanske inte är lämpligt för detta ändamål.
- Grillen måste stå på marken. Placera inte grillen på bord eller bänkar. Flytta INTE grillen över ojämna ytor.
- Använd inte grillen på trä eller brännbara ytor.
- Håll grill ren och fri från brännbara material som bensin och andra brandfarliga ångor och vätskor.
- Lämna inte grillen obevakad.
- Se till att inte någon befinner sig nära grillen antingen under användning eller innan den har svalnat.
- Använd aldrig köksredskap av glas, plast eller keramik i grillen. Placera aldrig tomma kokkärl i grillen under användning.
- Flytta aldrig grillen medan den används. Låt grillen svalna helt (under 45 ° C) innan du flyttar eller förvarar den.
- Ställ aldrig undan en grill som innehåller het aska eller kol. Ställ endast undan när grillen är helt släckt och alla ytor är kalla.
- Använd aldrig en grill som ett värmeelement. LÄS KOLMONOXIDFARA.
- Grillen är HET under användning och kommer att fortsätta att vara HET medan den svalnar. Var FÖRSIKTIG. Bär skyddshandskar / vantar.
- Knuffa eller slå INTE grillen för att förhindra personskador, skador på grillen eller att het vätska spiller eller stänker.
- Var försiktig när du tar mat från grillen. Alla ytor är HETA och kan orsaka brännskador. Använd skyddshandskar / -vantar eller långa, stabila matlagingsverktyg för att skydda dig mot heta ytor eller stänk från matlagingsvätskor.
- Rör inte vid HETA ytor.

VARNINGAR OCH VIKTIGA SÄKERHETSFÖRESKRIFTER

- Grillen är HET under användning. För att undvika brännskador, hålla ansiktet och kroppen borta från ventiler och när du lyfter på locket. Ånga och varm luft kommer ut under användning.
- Vid tillagning över 175 ° C, ska du försiktigt öppna grillen (eller tappa ut luft ur grillen) varje gång du lyfter på kupolen för att förhindra baktändning - en våg av vit, het ånga orsakad av en plötslig tillförsel av syre. Öppna locket delvis till 5-8 cm i ca 5 sekunder för att värmen ska kunna komma ut.
- Spjällen är HETA under användning och kommer att fortsätta att vara HETA medan de svalnar. Det rekommenderas att bära skyddshandskar när du justerar grillen.
- Grill har innehåller öppna lågor Håll händerna, håret och ansiktet borta från elden. Luta dig NINTE över grillen under tändning. Långt hår och löst sittande kläder kan börja brinna.
- Hindra INTE flödena av förbränning och ventilation.
- Täck inte matlagingsgallret med metallfolie. Detta kommer dra åt sig värme och kan orsaka skador på grillen.
- Lämna aldrig GLÖDANDE kol eller aska obevakad.
- Bränsle ska vara glödhet i minst 30 minuter före användning.
- Laga inte mat innan bränslet är täckt med aska.
- Avlägsna inte asklådan medan ask och kol är HETT.
- Använd skyddshandskar vid hantering av denna grill eller när du arbetar med eld. Använd skyddshandskar eller långa, robusta verktyg när du lägger i ved eller kol.
- Använd aldrig träkolständvätska, bensin, alkohol eller andra mycket flyktiga vätskor för att tända träkol. Dessa vätskor kan explodera och orsaka personskador eller dödsfall.
- Max mängd träkol för Big Joe är 4,5 kg. Fyll aldrig brikettgallret för mycket. Detta kan leda till allvarliga personskador samt skador på grillen.
- Bortskaffa kall aska genom att placera den i aluminiumfolie och blötlägga i vatten, slängs sedan i en icke-brännbar behållare.
- SloRoller ska inte användas vid temperaturer över 260°C

SPARA DESSA ANVISNINGAR



Installation av grillen

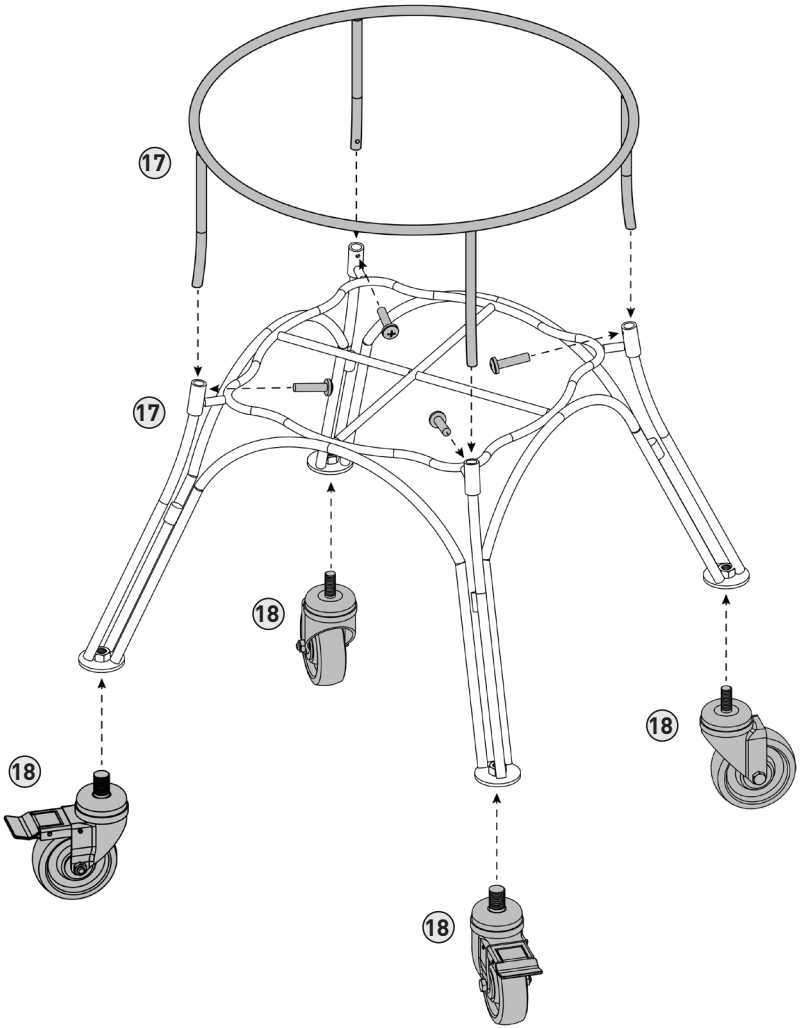
PACKA UPP DIN GRILL

- 1** Skär av plastbanden och avlägsna lådans övre och sidopaneler.
- 2** Ställ grillvagnens kartong åt sidan.
- 3** Öppna grillens kupol och avlägsna föremålen inuti grillen. Var försiktig när du hanterar interna keramiska delar.

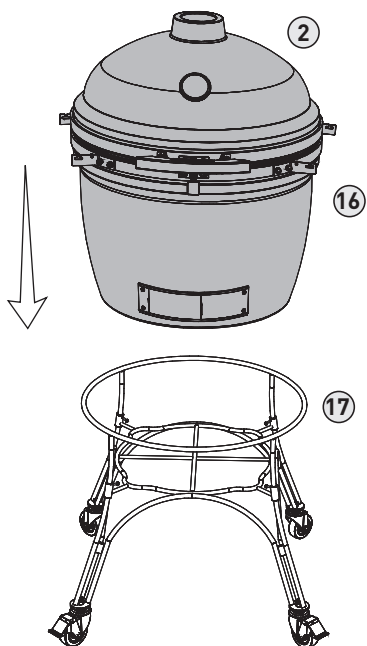
KAMADO JOE-GRILL MED VAGN

- 1** När de inre komponenterna har avlägsnats från grillen, ska du lyfta ut grillen ur lådan och ställa den åt sidan. På grund av grillens vikt, rekommenderar vi att två personer utför den här uppgiften. Lyft **INTE** grillen med hjälp av sidohyllorna. Ta tag i det bakre gångjärnetoch den främre ventilationsöppningen när du lyfter grillen.
- 2** Montera grillvagnen.
- 3** Använd samma lyftteknik som tidigare för att lyfta upp grillen på vagnen. Justera grillen på vagnen så den nedre ventilationsöppningen är vänd framåt mot vagnen. Framsidan på vagnen är den sida som har två spärrhjul.

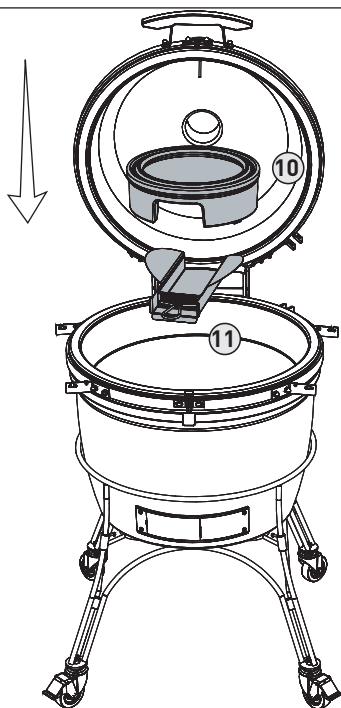
1



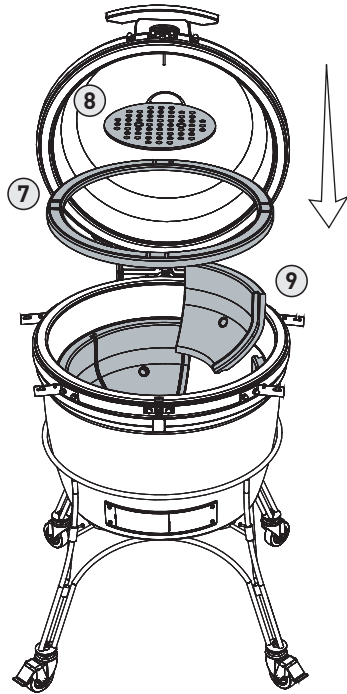
2



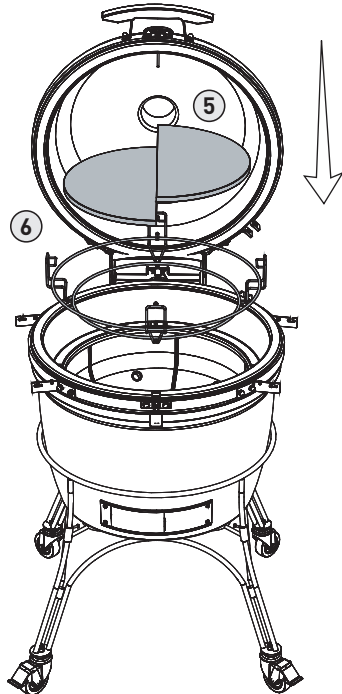
3



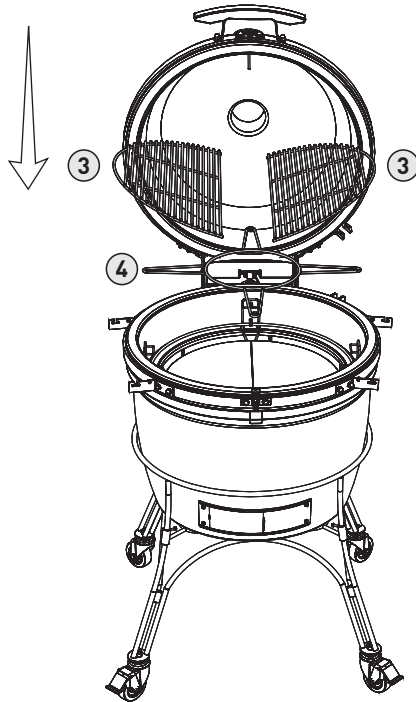
4



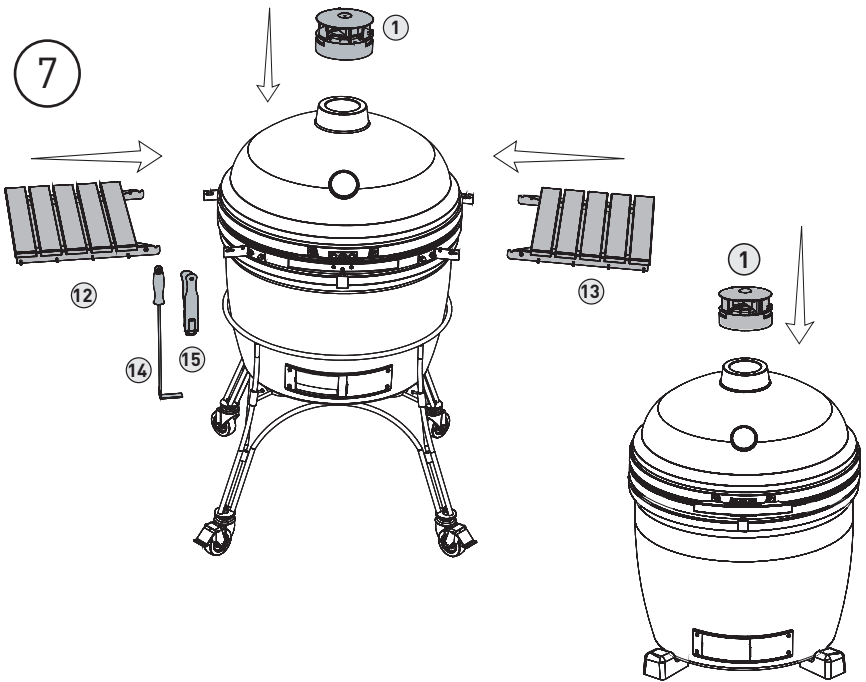
5



6

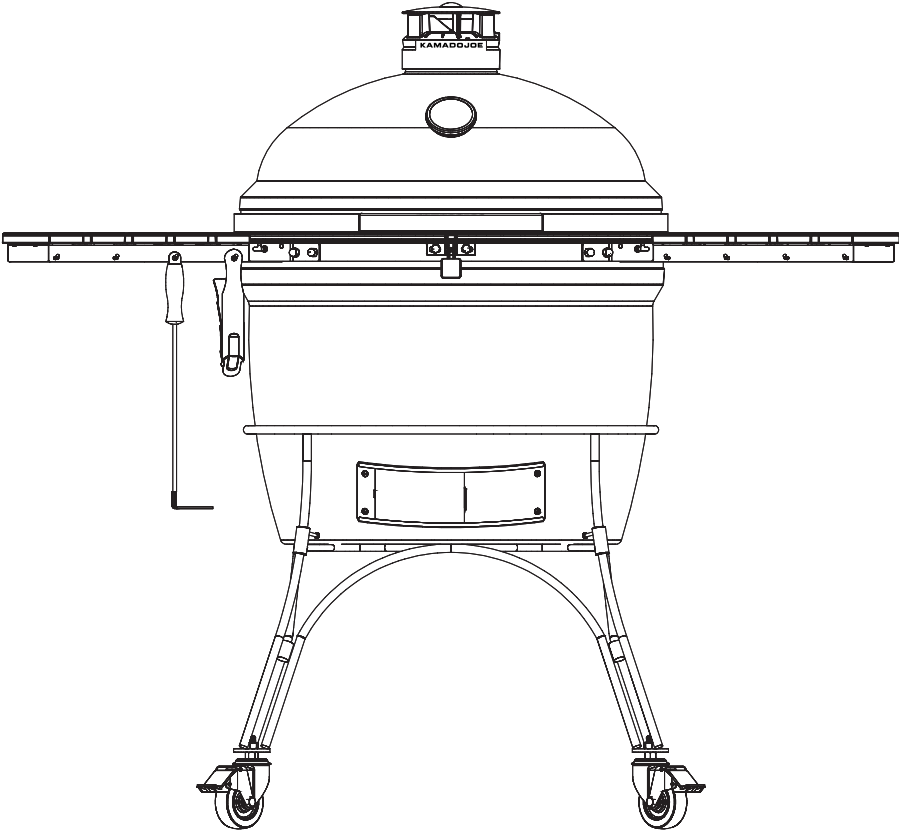


7



OAVHÄNDIG VERSION

8



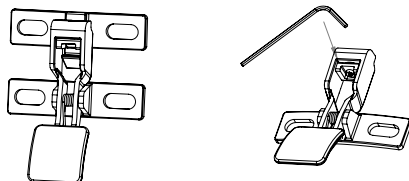
Justering av spärren

Spärren på Classic III är redan justerad för att vara ultratät.

Använd dessa instruktioner om du behöver utföra nödvändiga justeringar.

CLASSIC III SPÄRR

För att dra åt och lossa spärrens inställning ska du använda en liten insexnyckel. Justera inställningsskruven för att sänka spärplattan och lägg i distanshållaren. När distanshållaren är på plats sätter du tillbaka spärplattan genom att dra åt inställningsskruven.



Säkerhetsinformation

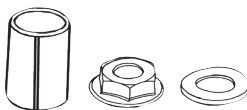
VAR FÖRSIKTIG

Gångjärn och band befinner sig under hög spänning, underlåtenhet att följa instruktionerna i rätt ordning kan orsaka allvarliga personskador.

GÅNGJÄRN

Försök inte att ta isär gångjärnet eller lossa banden på grillen utan borttagningsverktygen.

NOTERA: Borttagningsverktygen för gångjärnet (inklusive distanshållare, bricka och hexmutter). Spara dessa delar utifall gångjärnet måste avlägsnas vid ett senare tillfälle. Gångjärnet kan inte avlägsnas på ett säkert sätt utan dessa delar. Använd bottenytan och den främre nedre ventilöppningen som lyftpunkter (Lyft inte grillen med gångjärnet, bandbeslagen eller handtaget eftersom det kan leda till att kupolen lossnar från bandet).



Endast mindre justeringar av kupolens vikt rekommenderas enligt anvisningarna på sidan 16.

PACKNING

Självrengöring med en naturlig värmecykel rekommenderas.

Använd inte kemikaliebaserade rengöringsmedel på packningen.

Om det är absolut nödvändigt, ska du försiktigt torka bort eventuella spill eller fukt.

Gnugga eller skrapa inte packningen vid rengöring. Om du gnuggar för mycket kan det orsaka slitage.

Rengöring och skötsel

Din Kamado Joe-grill är tillverkad av material av hög kvalitet och krav skötsel och underhåll blir minimala. Det bästa sättet att skydda din Kamado Joe från väder och vind är med ett grillskydd.

Ett lätt sprucket porslin som kallas för krackelering är en del av de naturliga egenskaperna.

SJÄLVRENGÖRANDE

- 1 Tillsätt kol och tänd det.
- 2 Montera det flexibla matlagningsstället Divide & Conquer® i det övre läget och båda värmedeflektorerna på tillbehörsstället.
- 3 Öppna de övre och nedre luftventilerna helt och låt temperaturen inuti grillen stiga till 315°C medan kupolen stängd.
- 4 Håll temperaturen vid cirka 340 ° C i -20 minuter.
- 5 Stäng den nedre ventilen helt och vänta ytterligare 15-20 minuter innan du stänger den övre ventilen.

Denna process kommer att bränna bort oönskade rester inuti grillen. När du ska laga mat nästa gång ska du borsta av grillgallret med en vanlig grillborste. Använd en mjuk borste på keramikytan för att avlägsna eventuella rester. Värmedeflektorplattorna kommer även de vara fria från brända rester efter processen har slutförts. Borsta av dem med en mjuk borste efter rengöring. Om värmedeflektorerna blir smutsiga vid normal användning, ska du vända den smutsiga sidan nedåt när du ska laga mat nästa gång för att värmen från elden ska kunna automatiskt rengöra den smutsiga sidan.

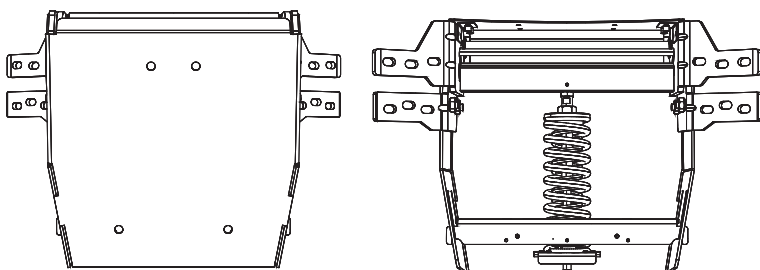
En eller två gånger om året, bör du utföra en mer noggrann rengöring av grillens insida. Avlägsna de inre delarna och ta bort eventuell aska eller skräp som fastnat mellan grillens stomme och de inre delarna. Använd en plastborste för att rengöra den keramiska insidan och plocka upp eller dammsug skräp i botten av grillen innan du sätter tillbaka de inre delarna.

Justering av klassiska Big Joe luftbrogångjärn

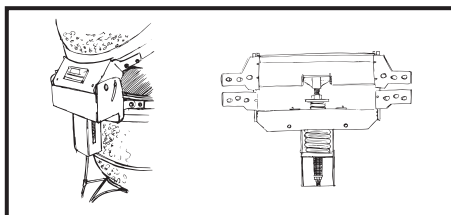
Luftbrogångjärnet på Kamado Joe Big Joe är redan justerat för en perfekt balans och stabilitet. Följ dessa instruktioner för ytterligare justering som passar dina personliga önskemål.

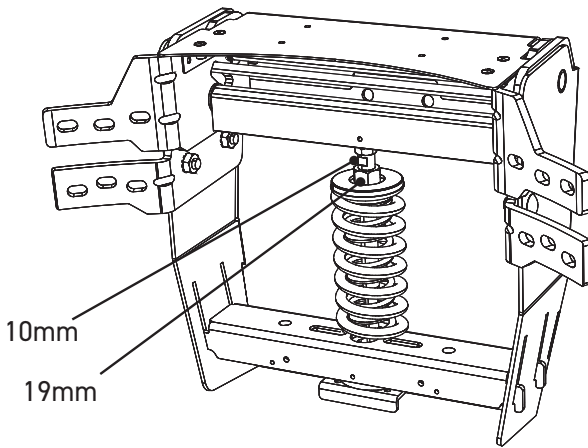
Var försiktig: Luftbrogångjärn under stor spänning.

- 1 Öppna kupolen på din Kamado Joe Big Joe-grill.
- 2 Håll kupolen öppen, placera 10mm-skiftnyckeln på den platta delen av skruven (se infälld bild 1).
- 3 Placera en 19mm skiftnyckel på muttern ovanpå fjäderlåsplattan (se infälld bild 1).
- 4 För att göra kupolen lättare att höja, håll en 10mm (eller skiftnyckel) stilla och rotera en 19mm skiftnyckel medurs enligt bilden. Avlägsna skiftnycklarna och kontrollera kupolen vid varje full rotation av muttern. Om du vill att kupolen ska kännas tyngre ska du rotera muttern moturs. Avlägsna skiftnycklarna och kontrollera kupolen vid varje full rotation av muttern. Justera inte muttern så att den kommer emot kontakten (se infälld bild 1).

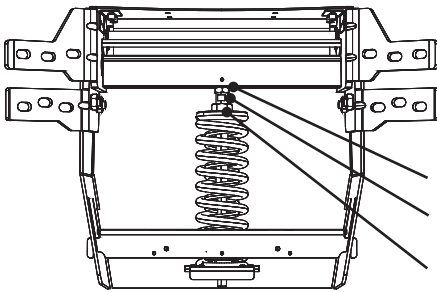
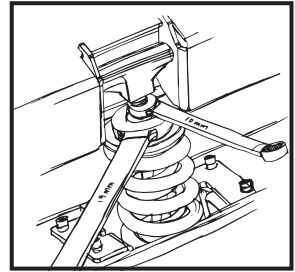


Gångjärnalternativ





Gångjärnalternativ



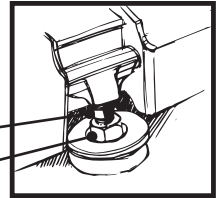
Infälld bild 1

Muttern under kontakten

Brickor på skruven

Justeringsmuttern på fjäderlåsplattan

Gångjärnalternativ



VERKTYG SOM KRÄVS: EN 10 MM NYCKEL OCH EN 19 MM NYCKEL.

Snabbstartguide

UPPSTART

- 1 Tillsätt kol i fireboxen och tänd med en eller två braständare.
- 2 Låt kupolen stå öppen i 10 minuter med den nedre ventilen helt öppen.
- 3 Stäng kupolen.
- 4 Börja att stänga den övre och nedre ventilen när kupolens temperaturen är mindre än 10 ° C från din måltemperatur.

HÅLL TEMPERATUREN

För att sänka temperaturen, minskar du luftflödet genom grillen genom att stänga ventilerna. Om du vill höja temperaturen, öppnar du ventilerna. Justering av ventilerna är inte omedelbar, utan det tar 10-15 minuter för en justering att träda i kraft. Eftersom din keramiska Kamado Joe håller värmen så effektivt, kan det ta en stund att värma upp den helt. Låt grillen stå i 20-40 minuter för att stabilisera temperaturen innan du börjar grilla.

LÅT SVALNA

- 1 Stäng bottenventilen helt när du är klar med matlagningen.
- 2 När temperaturen understiger 20°C stänger du den övre ventilen nästan helt, men lämna ett liten öppning.
- 3 Täck inte grillen förrän kupolen är sval vid beröring.

**FÖR ATT SÄNKA TEMPERATUREN, STÄNGER DU VENTILERNA.
FÖR ATT HÖJA TEMPERATUREN, ÖPPNAR DU VENTILERNA.**

SNABB TEMPERATURGUIDE

Ungefärliga temperaturer för olika matlagningstekniker.

GRILLNING 205 -315°C

BRYNING 260 -400°C

BAKNING 150 -400°C

ROSTNING 150 -230°C

RÖKNING 105 -135°C

VAR FÖRSIKTIG

TAPPA UT LUFT

Vid tillagning över 175 ° C, ska du försiktigt öppna grillen (eller tappa ut luft ur grillen) varje gång du lyfter på kupolen för att förhindra baktändning.

VÄTSKOR

Spill inte vätskor inuti eller på grillen medan den är varm.

GNSTOR

Var försiktig med gnistor och glöd om du använder grillen på ett trädäck.

VID ANVÄDNING

Lämna aldrig grillen utan uppsyn medan grillkupolen öppen.

KAMADOJOE®

KAMADOJOE.COM
KAMADOJOE.COM/CONTACT
KAMADOJOE.COM/WARRANTY
KAMADOJOE.COM/COLLECTIONS/PARTS

KAMADO JOE • 5032 MILGEN CT. • COLUMBUS, GA 31907

BIG JOE II - BEDIENUNGSANLEITUNG



KAMADOJOE®

9804200026 210511-GH


Table des matières

Warnhinweise	3
Erforderliche Teile und Werkzeuge	7
Anweisungen zum Aufstellen des Grills	8
Montageanweisungen	9
Sicherheitshinweise	14
Reinigung und Pflege	15
Scharnieranpassungen	16
Schnellstartanleitung	18
Schnellrichtlinien zur Temperatur	19

Der Grill wird nicht mit Holzkohle geliefert

WARNHINWEISE

- Dieses Handbuch enthält wichtige Informationen, die für die richtige Montage und die sichere Handhabung des Grills erforderlich sind.
- Alle Warnhinweise und Anleitungen lesen und befolgen, ehe Sie den Grill montieren und benutzen.
- Dieses Handbuch zum späteren Nachschlagen aufbewahren.

 **Die Nichtbeachtung dieser Anleitungen kann zu Brand-, Explosions- oder Verbrennungsgefahr führen, die zu Sachschäden, Verletzungen oder zum Tod führen kann.**

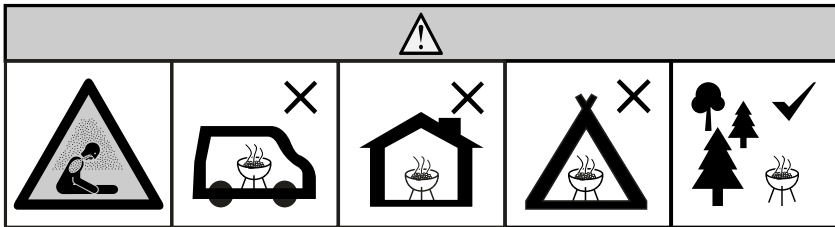
KOHLENMONOXIDGEFAHR

- Bei der Verbrennung von Holzkohle oder Holzspänen entsteht Kohlenmonoxid, das geruchlos ist und zum Tod führen kann.
- Nur im Freien verwenden, wo gute Belüftung besteht.

WARNHINWEISE UND WICHTIGE SCHUTZVORKEHRUNGEN

ALLE ANLEITUNGEN LESEN!

- **WARNHINWEIS!** Dieser Grill wird sehr heiß. Nicht bewegen, wenn er in Betrieb ist.
- **WARNHINWEIS!** Nicht in Innenräumen benutzen!
- **WARNHINWEIS!** Weder Alkohol noch Benzin oder sonstige ähnliche Flüssigkeiten zum Anzünden oder erneuten Anzünden des Grills verwenden.
- **WARNHINWEIS!** Kinder und Haustiere stets vom Grill fernhalten. Kinder dürfen ihn NICHT benutzen. Eine strenge Überwachung ist notwendig, wenn sich Kinder oder Haustiere in dem Bereich aufhalten, in dem der Grill benutzt wird.



- Den Grill nicht in engen oder bewohnbaren Räumen wie in Wohnungen, Zelten, Wohnwagen und Wohnmobilen, Booten usw. benutzen. Dort besteht Gefahr einer tödlichen Monoxid-Vergiftung.
- Den Grill stets in Übereinstimmung mit allen Brandschutzverordnungen der Gemeinden, Länder und des Bundes benutzen.
- Vor jedem Gebrauch prüfen, ob alle Muttern, Schrauben und Bolzen fest und sicher sitzen.
- Den Grill nie unter Dächern, Carports, Markisen oder Überhängen benutzen.
- Der Grill ist **AUSSCHLIESSLICH ZUR BENUTZUNG IM FREIEN VORGESEHEN**.
- Einen Mindestabstand von 3 m zu überdachten Flächen, Wänden, Geländern und ähnlichen Bauteilen einhalten.
- Einen Mindestabstand von 3 m zu allem brennbaren Material wie Holz, Holzdecks, trockenen Pflanzen, Büschen oder trockenem Grass, Papier oder Segeltuch einhalten.
- Verwenden Sie den Grill niemals für etwas anderes als für den vorgesehenen Zweck. Dieser Grill ist NICHT für den gewerblichen Gebrauch bestimmt.
- Nicht von Kamado Joe gelieferte Zubehörteile werden NICHT empfohlen und können zu Verletzungen führen.
- Die Anwendung von Alkohol und Medikamenten (rezeptpflichtig oder nicht) kann die Fähigkeit des Benutzers beeinträchtigen, den Grill zu montieren oder sicher zu bedienen.



WARNHINWEISE UND WICHTIGE SCHUTZVORKEHRUNGEN

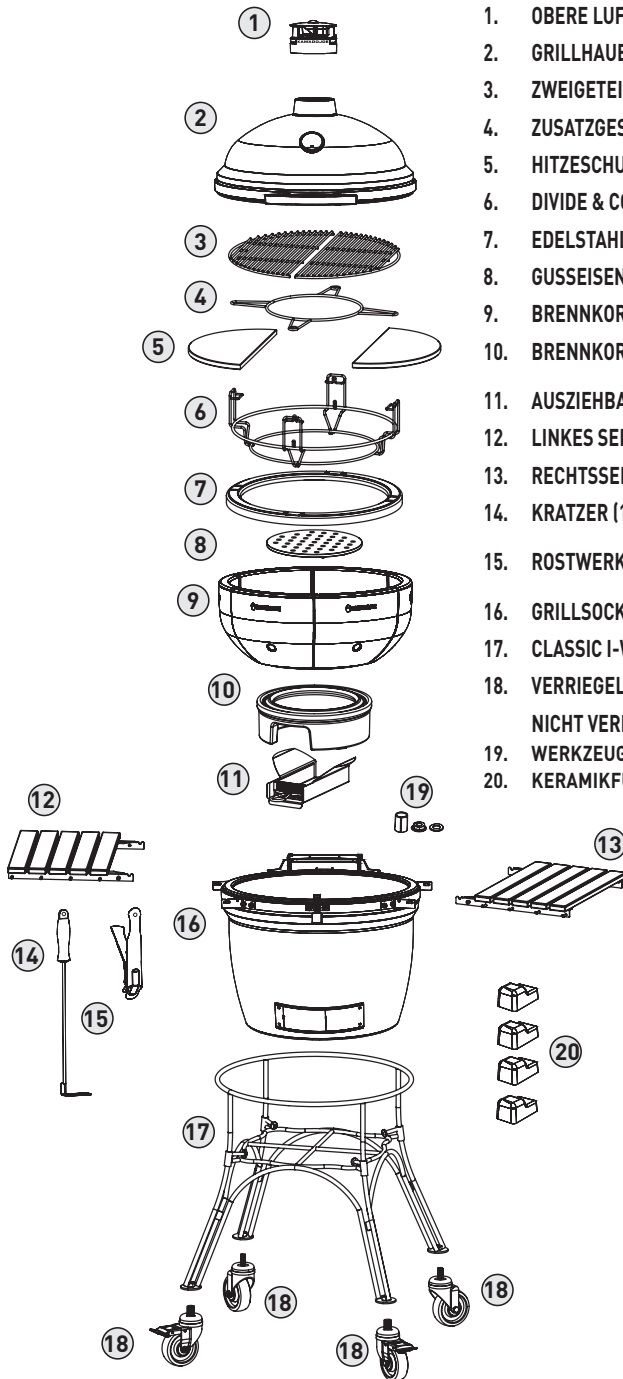
- Beim Grillen jederzeit einen Feuerlöscher griffbereit halten.
- Beim Grillen mit Öl oder Fett einen Feuerlöscher vom Typ BC oder ABC griffbereit halten.
- Im Falle eines durch Öl oder Fett verursachten Brandes nicht versuchen, mit Wasser zu löschen. Sofort die Feuerwehr anrufen. Unter manchen Umständen mag ein Feuerlöschgerät vom Typ BC oder ABC den Brand eindämmen können.
- Stellen Sie den Grill auf einer ebenen, nicht brennbaren, festen Fläche wie Erde, Beton, Ziegel oder Stein auf. Eine Asphalt- oder Teerdecke könnte für diesen Zweck ungeeignet sein.
- Der Grill MUSS auf dem Boden stehen. Nicht auf einen Tisch oder eine Theke stellen. Den Grill NICHT über unebene Flächen ziehen.
- Den Grill nicht auf hölzernen oder anderen brennbaren Flächen benutzen.
- Entzündliche Stoffe wie Benzin, andere brennbare Flüssigkeiten und Dämpfe vom Grill fernhalten.
- Den Grill nicht unbeaufsichtigt lassen.
- KEINE Aktivitäten um den Grill herum zulassen, ehe er nach Benutzung abgekühlt ist.
- Niemals Geschirr aus Glas, Plastik oder Keramik im Grill verwenden. Während der Benutzung niemals leere Essensbehälter im Grill lassen.
- Den Grill niemals bewegen, während er benutzt wird. Er muss unter 45°C abgekühlt sein, ehe er bewegt oder gelagert werden darf.
- Den Grill nicht lagern, wenn er noch heiße Asche oder Holzkohle enthält. Erst lagern, nachdem das Feuer vollkommen gelöscht ist und alle Außenflächen kalt sind.
- Den Grill nie als Heizkörper verwenden. ÜBER DIE KOHLENMONOXIDGEFAHR NACHLESEN!
- Der Grill ist während des Gebrauchs HEISS und bleibt auch danach und beim Abkühlen eine Zeitlang heiß. Mit VORSICHT behandeln! Schutzhandschuhe benutzen!
- Den Grill NICHT anstoßen oder schlagen, um Verletzungen, Beschädigung des Grills oder das Überlaufen/Herausspritzen heißer Flüssigkeiten zu verhindern.
- Vorsicht bei der Entnahme von Grillgut! Alle Oberflächen des Grills sind HEISS und können Verbrennungen verursachen. Schutzhandschuhe tragen oder langes, stabiles Kochbesteck verwenden, um gegen Hitze oder gegen Spritzer von heißen Flüssigkeiten zu schützen.
- Keine HEISSEN Flächen berühren.
- Der Grill ist im Gebrauch HEISS! Um Verbrennungen zu vermeiden, Gesicht und Körper von den Luftklappen fernhalten und beim Öffnen des Deckels Abstand halten. Im Betrieb werden Dampf und Heißluft ausgestoßen.



WARNHINWEISE UND WICHTIGE SCHUTZVORKEHRUNGEN

- Beim Grillen über 175°C beim Öffnen der Grillhaube den Grill immer vorsichtig öffnen (oder lüften), um Rückschlag (eine durch Sauerstoffschub verursachte Weißglutwelle) zu verhüten. Das gelingt, indem man den Deckel leicht (ca. 5-8 cm weit) öffnet und die Hitze etwa 5 Sekunden lang entweichen lässt.
- Die Luftklappen sind HEISS, wenn der Grill in Gebrauch ist, und auch wenn er abkühlt. Beim Verstellen stets Schutzhandschuhe tragen!
- Der Grill hat eine offene Flamme. Hände, Haare und Gesicht von der Flamme fernhalten! Beim Anzünden NICHT über den Grill lehnen. Lose Haare und Kleidung fangen leicht Feuer.
- NICHT den Kreislauf von Verbrennung und Belüftung behindern.
- Die Grillroste nicht mit Metallfolie bedecken. Alufolie usw. speichert Hitze und kann dem Grill Schaden zufügen.
- HEISSE Kohle oder Asche niemals unbeaufsichtigt lassen.
- Der Brennstoff sollte vor dem Gebrauch mindestens 30 Minuten lang glühend heiß gehalten werden.
- Nicht grillen, bevor der Brennstoff eine Schicht Asche aufweist.
- Die Aschenschublade nicht entfernen, solange die Asche und Holzkohle HEISS sind.
- Zum Anfassen des Grills oder zum Arbeiten mit Feuer Schutzhandschuhe tragen. Zum Auflegen von Holz oder Holzkohle entweder Schutzhandschuhe tragen oder langes, stabiles Kochbesteck verwenden.
- Zum Anzünden von Holzkohle niemals Holzkohlefeuerzeug, Benzin, Alkohol oder andere leichtflüchtige Flüssigkeiten verwenden. Diese Flüssigkeiten können explodieren und zu Verletzungen oder zum Tod führen.
- Für den Big Joe -Grill dürfen höchstens 4,5 kg Holzkohle verwendet werden. Niemals den Holzkohlerost überfüllen. Das kann zu schweren Verletzungen sowie zur Beschädigung des Grills führen.
- Kalte Asche entfernen, indem man sie auf Alufolie packt, mit Wasser einweicht und in einem nicht brennbaren Behälter entsorgt.
- Bei Temperaturen über 260°C sollte der StoRoller nicht benutzt werden.

DIESE ANLEITUNGEN AUFBEWAHREN



1. OBERE LUFTKLAPPE (1)
2. GRILLHAUBE (1)
3. ZWEIFEILTE GRILLROSTE (2)
4. ZUSATZGESTELL (1)
5. HITZESCHUTZPLATTEN (2)
6. DIVIDE & CONQUER FLEXIBLES GRILLSYSTEM (1)
7. EDELSTAHL-BRENNKORBDECKEL (1)
8. GUSSEISEN-FEUERROST (1)
9. BRENNKORBWÄNDE (6)
10. BRENNKORBSOCKEL (1)
11. AUSZIEHBARE ASCHENSCHUBLADE (1)
12. LINKES SEITENREGAL (1)
13. RECHTSSEITE (1)
14. KRATZER (1)
15. ROSTWERKZEUG (1)
16. GRILLSOCKEL (1)
17. CLASSIC I-WAGEN (1)
18. VERRIEGELNDE LAUFROLLEN (2)
NICHT VERRIEGELNDE LAUFROLLEN (2)
19. WERKZEUGSATZ ZUR SCHARNIERABLÖSUNG (1)
20. KERAMIKFÜSSE (4)

MONTAGE DES GRILLS

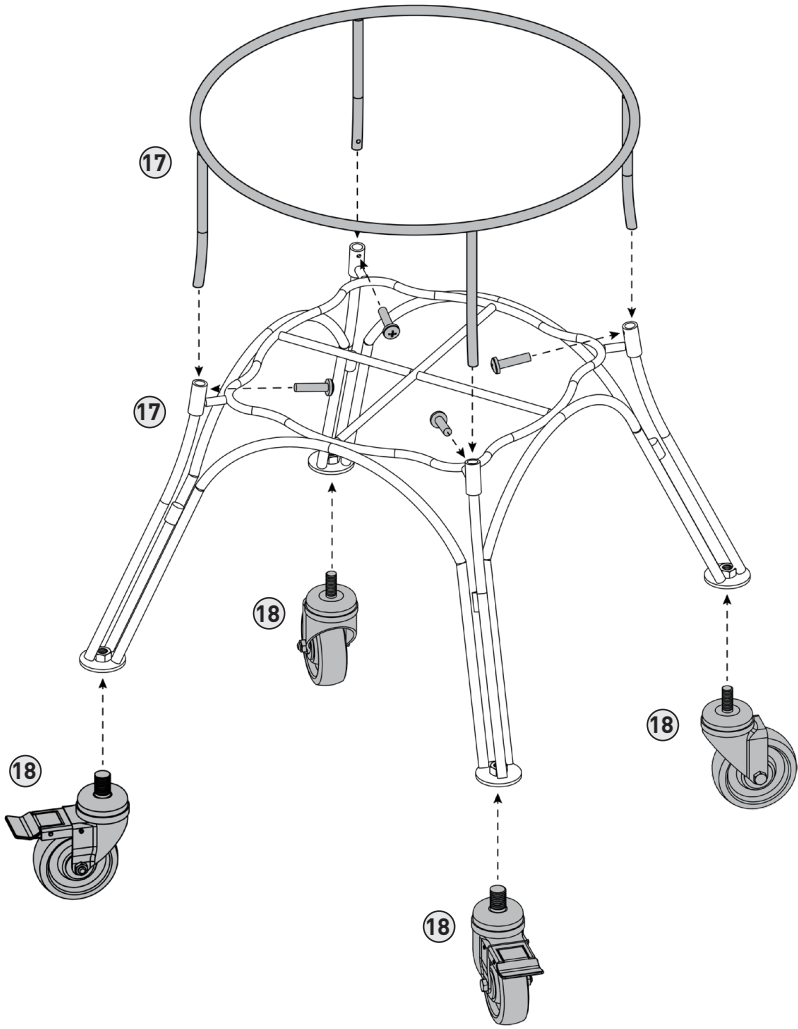
DEN GRILL AUSPACKEN

- 1 Die Plastikbänder aufschneiden, die Ober- und Seitenteile des Versandbehälters abnehmen.
- 2 Den Grillwagen-Karton zur Seite stellen.
- 3 Die Grillhaube öffnen und die im Grill liegenden Teile herausnehmen. Vorsichtig mit den inneren Keramikteilen umgehen.

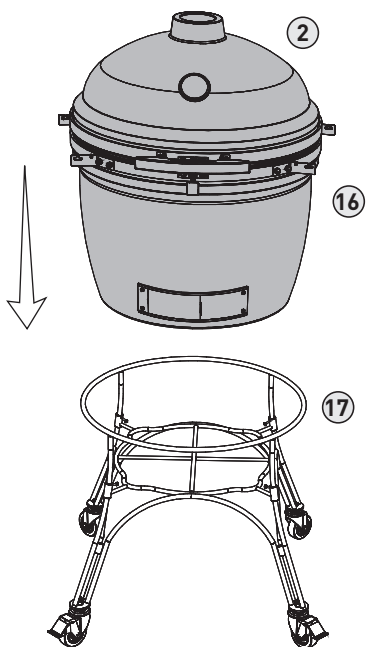
DER KAMADO JOE-GRILL MIT FAHRBAREM UNTERGESTELL (WAGEN)

- 1 Nachdem Sie die innen im Grill liegenden Teile entfernt haben, den Grill aus dem Behälter ziehen und zur Seite setzen. Angesichts des schweren Gewichts dieses Grills empfiehlt es sich, dass dies von zwei Personen getan wird. Den Grill NICHT an den seitlichen Arbeitstischen anheben. Das hintere Scharnier und die vordere Luftklappenöffnung als Hebepunkte benutzen.
- 2 Den Grillwagen montieren.
- 3 Den Grill auf die gleiche Weise wie vorher auf den Wagen heben. Den Grill im Wagen so einstellen, dass die untere Grill-Luftklappe zum Vorderteil des Wagens gerichtet ist. Die Vorderseite des Wagens ist die Seite mit den beiden verriegelnden Laufrollen.

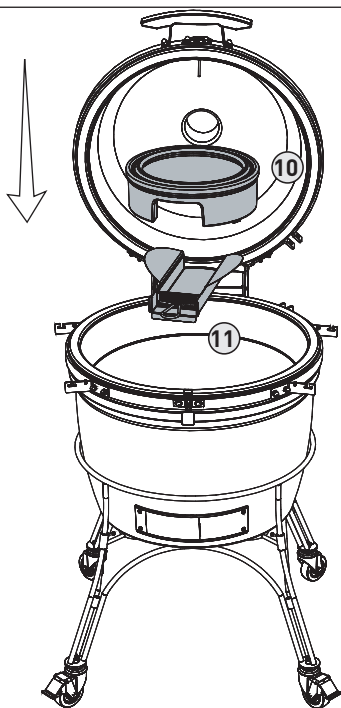
1



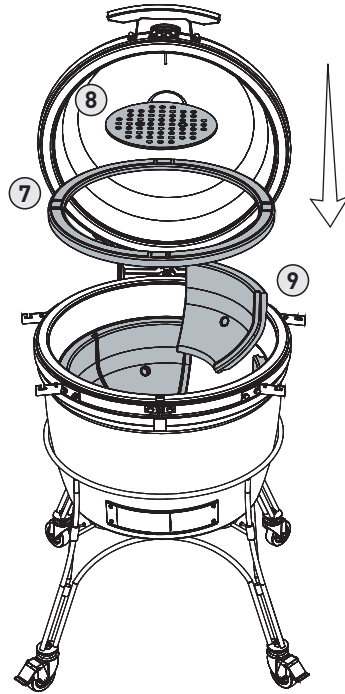
2



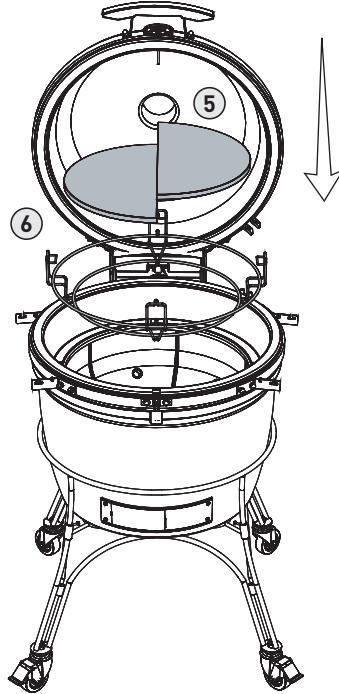
3



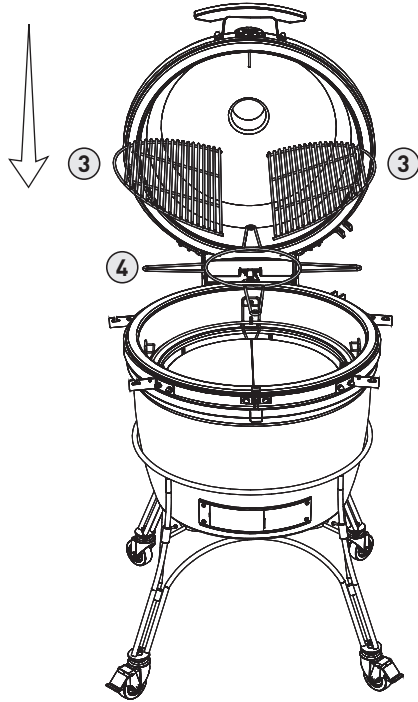
4



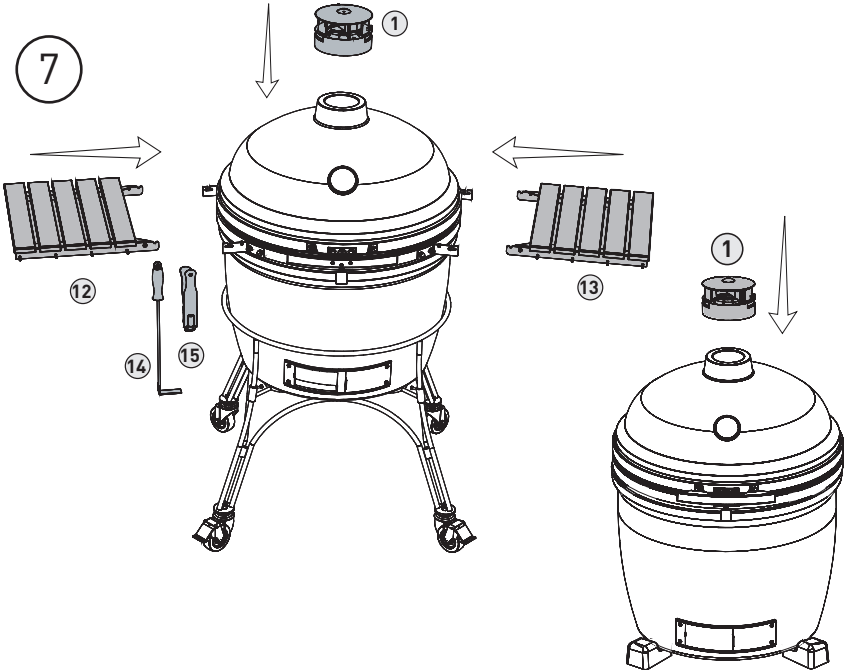
5



6

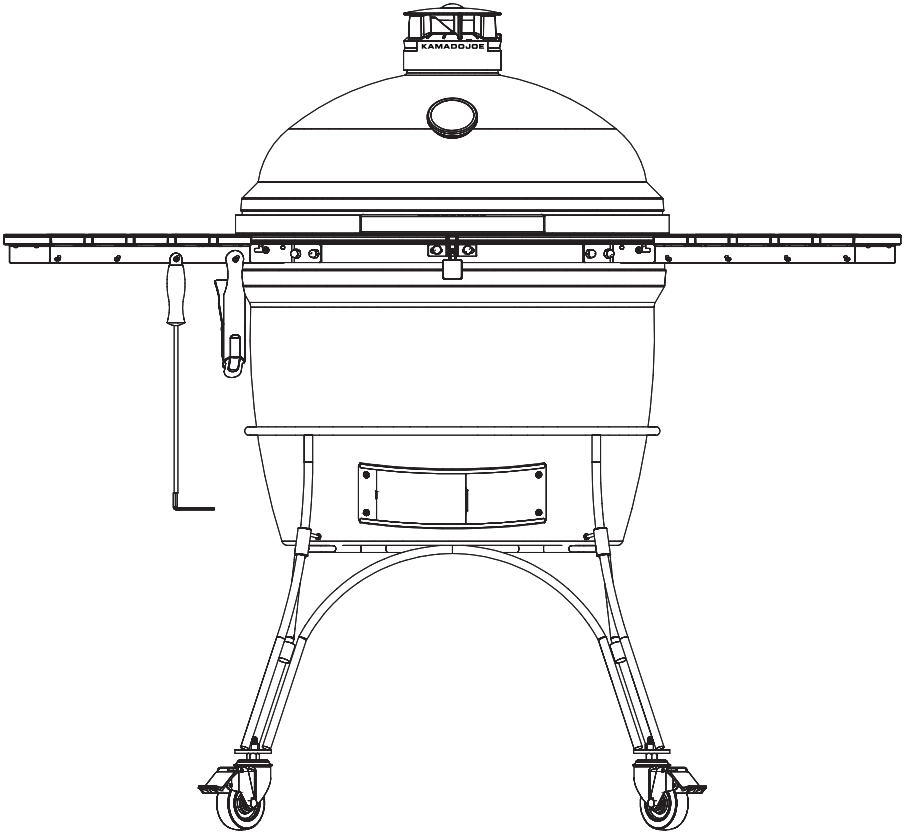


7



UNABHÄNGIGE VERSION

8

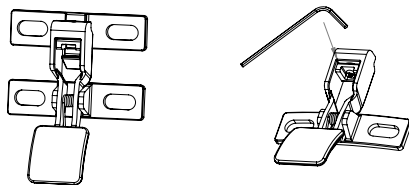


Einstellungen des Verschlusses

Der Verschluss am Kamado Joe Classic III ist bereits für eine besonders sichere Dichtung eingestellt. Diese Anleitungen benutzen, wenn andere Einstellungen gewünscht sind.

CLASSIC III VERSCHLUSS

Zum Anziehen oder Lockern der Einstellung des Verschlusses einen kleinen Inbusschlüssel benutzen. Die Stellschraube einstellen, um die Verschlussplatte niedriger zu stellen und die Distanzscheibe hinzuzufügen. Nach dem Hinzufügen der Distanzscheibe die Verschlussplatte durch Festziehen der Stellschraube neu anbringen.



Sicherheitshinweise

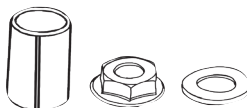
VORSICHT

Scharnier und Band stehen unter hohem Druck. Wenn die Anweisungsschritte nicht der Reihe nach befolgt werden, kann dies ernsthafte Verletzungen zur Folge haben.

SCHARNIER

Nicht versuchen, ohne den Werkzeugsatz zur Scharnierablösung das Scharnier aus dem Grill zu zerlegen oder die Bänder zu lockern.

HINWEIS: Werkzeugsatz zur Scharnierablösung (Distanzscheibe, Unterlegscheibe und Sechskantmutter werden mitgeliefert). Diese Teile aufbewahren, falls das Scharnier später entfernt muss. Ohne diese Teile kann das Scharnier nicht gefahrlos entfernt werden.



Die Unterseite und die untere vordere Belüftungsöffnung als Hebepunkte benutzen (Grill nicht am Scharnier, an den Bandhalterungen oder am Griff heben, weil dies verursachen könnte, dass die Haube sich vom Band löst).

Am Gewicht der Haube sollten nur geringe Einstellungen gemäß den Anweisungen auf Seite 16 vorgenommen werden.

DICHTUNG

Selbstreinigung durch den natürlichen Wärmezyklus wird empfohlen.

An der Dichtung keine auf chemischen Substanzen basierenden Reinigungsmittel benutzen. Falls unbedingt erforderlich, verschüttete Mengen oder Feuchtigkeit vorsichtig abwischen. Die Dichtung beim Reinigen nicht schrubben oder scheuern. Übermäßiges Reiben kann Verschleiß zur Folge haben.

Reinigung und Pflege

Der Kamado Joe-Grill ist aus hochwertigem Material gefertigt und braucht daher wenig Pflege und Wartung. Am besten lässt sich Kamado Joe mit einer Grillplane schützen. Porzellan mit feiner Harrisbildung gehört zu den natürlichen Eigenschaften.

SELBSTREINIGUNG

- 1** Holzkohle einfüllen und anzünden.
- 2** Das Gestell für das flexible Grillsystem Divide & Conquer® so anbringen, dass sich das Zusatzgestell in der oberen Position befindet und dass sich beide Hitzeschutzplatten auf dem Zusatzgestell befinden.
- 3** Die oberen und unteren Luftklappen ganz öffnen, die Temperatur im Grill auf 315° C ansteigen lassen und dabei die Haube geschlossen halten.
- 4** Die Temperatur 15-20 min lang auf 315°C halten.
- 5** Die untere Luftklappe ganz schließen und die obere Luftklappe erst nach weiteren 15-20 min schließen.

Bei diesem Verfahren verbrennen unerwünschte Rückstände im Inneren des Grills. Bevor Sie danach wieder grillen, den Grillrost mit einer normalen Grillbürste säubern. Noch auf Keramikteilen verbleibende Rückstände mit einer weichen Bürste beseitigen. Auch die Hitzeschutzplatten sollten nach dem Verfahren ohne verbrannte Rückstände geblieben sein. Sie sollten aber nach der Reinigung mit einer weichen Bürste abgerieben werden. Wenn die Hitzeschutzplatten im normalen Gebrauch verschmutzt werden, sollte man sie beim nächsten Grillen mit der verschmutzten Seite nach unten drehen. Die Hitze vom Feuer reinigt dann die verschmutzte Seite der Platten von selbst.

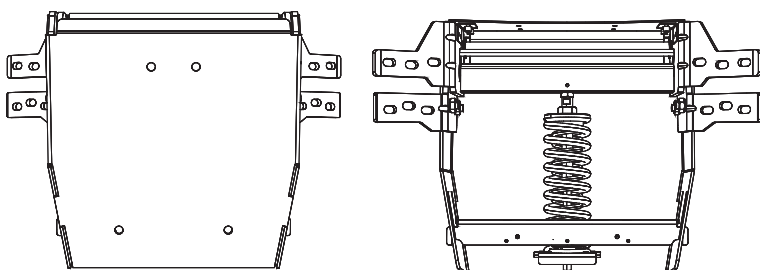
Ein- oder zweimal im Jahr sollten Sie das Innere des Grills gründlicher reinigen. Die inneren Teile herausnehmen, rückständige Asche oder angesammelten Schmutz zwischen Grillkörper und Innenteilen beseitigen. Dafür eine Bürste mit Plastikborsten verwenden. Schmutz vom Boden des Grills mit dem Staubsauger oder anderweitig entfernen, bevor Sie die inneren Teile wieder einfügen.

Einstellung des Scharniers „Air Lift Hinge“ am Big Joe-Grill zur Erleichterung des Anhebens

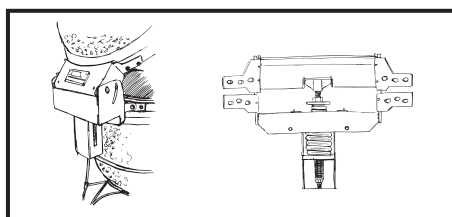
Das Scharnier Air Lift Hinge am Kamado Big Joe ist bereits für ideale Balance und Stabilität eingestellt. Wenn Sie aus persönlichen Gründen zusätzliche Einstellungen wünschen, befolgen Sie bitte diese Anleitungen.

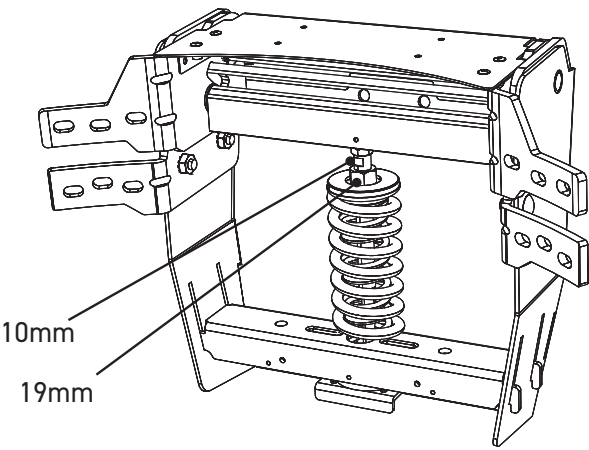
Vorsicht! Das Scharnier „Air Lift Hinge“ steht unter hohem Druck.

- 1 Die Haube des Kamado Joe Big Joe-Grills öffnen.
- 2 Bei offener Haube den 10 mm-Maulschlüssel an den flachen Kanten der Schraube ansetzen (siehe Abb. 1).
- 3 Den 19 mm-Schlüssel auf der Mutter an der oberen Kante der Federhalterung ansetzen (siehe Abb. 1).
- 4 Zum leichteren Öffnen der Haube den 10 mm-Maulschlüssel festhalten und den 19 mm-Schlüssel wie gezeigt im Uhrzeigersinn drehen. Die Schlüssel beiseite legen. Nach jeder vollen Umdrehung der Mutter prüfen, was mit der Haube geschieht. Möchten Sie, dass sich die Haube schwerer anfühlt, die Mutter entgegen dem Uhrzeigersinn drehen. Die Schlüssel beiseite legen und nach jeder vollen Umdrehung der Mutter prüfen, was mit der Haube geschieht. Die Mutter nicht so verstellen, dass sie den Anschluss berührt (siehe Abb. 1).



ALTERNATIVES SCHARNIER





ALTERNATIVES
SCHARNIER

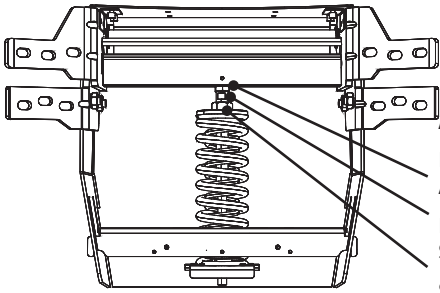
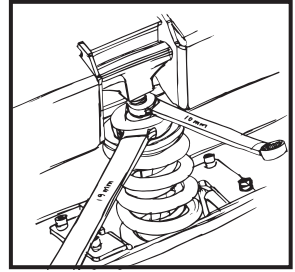
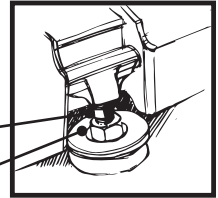


Abb. 1

- Mutter unter dem Anschluss
- Flacher Teil der Schraube
- Stellmutter an der Federhalterung

ALTERNATIVES
SCHARNIER



**ERFORDERLICHE WERKZEUGE: 10 MM SPANNER
UND EIN 19MM SPANNER**

DIE SCHNELLE INBETRIEBNAHME

INBETRIEBNAHME

- 1 Holzkohle in den Brennkasten füllen und mit ein oder zwei Feueranzündern anzünden.
- 2 Die Haube 10 min lang offen lassen und die untere Luftklappe ganz offen lassen.
- 3 Die Haube schließen.
- 4 Anfangen, die oberen und unteren Luftklappen zu schließen, wenn die Temperatur unter der Haube innerhalb von 10°C Ihrer Zieltemperatur liegt.

DIE TEMPERATUR AUFRECHTERHALTEN

Um die Temperatur zu senken, die Luftzufuhr durch den Grill durch Schließen der Luftklappen reduzieren. Umgekehrt die Temperatur durch Öffnung der Luftklappen steigern. Die Änderungen treten nicht sofort ein, sondern man muss 10-15 min warten, bis sich eine Änderung der Luftklappenstellung auswirkt. Da der keramische Kamado Joe Hitze so gut speichert, kann es lange dauern, bis er voll aufwärmt. Sie müssen dem Grill 20 bis 40 Minuten Zeit geben und die Temperatur stabilisieren, ehe Sie mit dem Grillen anfangen können.

ABKÜHLEN

- 1 Nach Beendigung des Grillens die untere Luftklappe ganz schließen.
- 2 Sobald die Temperatur unter 205°C sinkt, die obere Luftklappe fast ganz schließen, nur einen kleinen Spalt offenlassen.
- 3 Den Grill nicht zudecken, bis die Haube kühl genug ist, dass man sie berühren kann.

TEMPERATUR SENKEN: LUFTKLAPPEN SCHLIESSEN

TEMPERATUR ANHEBEN: LUFTKLAPPEN ÖFFNEN

TEMPERATUREN AUF EINEN BLICK

Etwaige Temperaturen für die einzelnen Verfahren

GRILLEN	205 °C bis 315 °C
ANBRATEN	260 °C bis 400 °C
BACKEN	150 °C bis 400 °C
RÖSTEN	150 °C bis 230 °C
RÄUCHERN	105 °C bis 135 °C

VORSICHT!

LÜFTEN

Beim Grillen über 175°C den Grill jedes Mal, wenn die Haube angehoben wird, vorsichtig öffnen (oder lüften), um den Rückschlag zu verhindern.

FLÜSSIGKEITEN

Keine Flüssigkeiten im oder auf dem heißen Grill verschütten.

FUNKEN

Wenn der Grill auf einer Holzterrasse steht, Vorsicht vor Funken und Glutstücken!

IM BETRIEB

Den Grill nicht unbeaufsichtigt lassen, wenn die Haube offen steht.

KAMADOJOE®

KAMADOJOE.COM

KAMADOJOE.COM/CONTACT

KAMADOJOE.COM/WARRANTY

MASTERBUILT.COM/COLLECTIONS/PARTS

KAMADO JOE • 5032 MILGEN CT. • COLUMBUS, GA 31907